



Thomas Parts Manual



175 & ProTough 1700 Skid Steer Loaders

Publication Number 048178SP

A. WARRANTY**B. TAGS****C. DECALS****1. MAINFRAME**

Fuel System.....	1.1
Rear Door.....	1.2
Universal Quick-Tach.....	1.3
Lift Arms and Pivot Pins.....	1.4
ROPS Assembly (175).....	1.5 (A)
ROPS Assembly (ProTough 1700).....	1.5 (B)
Boom Supports.....	1.6
Shields (175).....	1.7 (A)
Shields (ProTough 1700).....	1.7 (B)
Insulation (up to S/N LQ000200).....	1.8 (A)
Insulation (S/N LQ000200 onward).....	1.8 (B)
Seat and Seat Belt (175).....	1.9 (A)
Seat and Seat Belt (ProTough 1700).....	1.9 (B)

2. CONTROLS

Control Levers (175).....	2.1 (A)
Control Levers (ProTough 1700).....	2.1 (B)
Foot Pedals.....	2.2
Throttle.....	2.3
Restraint Bar.....	2.4

3. FINAL DRIVE TRANSMISSION

Transmission Housing.....	3.1
Axle Assembly (Includes Drive Chains).....	3.2

4. HYDRAULIC SYSTEM

Oil Reservoir.....	4.1
Hydraulic Oil Filter & Cooler.....	4.2
Boom Lift Circuit (175).....	4.3 (A)
Boom Lift Circuit (ProTough 1700).....	4.3 (B)
Radiator and Fan Assembly (175).....	4.4 (A)
Radiator and Fan Assembly (ProTough 1700).....	4.4 (B)
Lift Cylinder (175).....	4.5 (A)
Lift Cylinder (ProTough 1700).....	4.5 (B)
Bucket Tilt Circuit (175).....	4.6 (A)
Bucket Tilt Circuit (ProTough 1700).....	4.6 (B)
Tilt Cylinder.....	4.7
Auxiliary Circuit with Accumulator (175).....	4.8 (A)
Auxiliary Circuit (ProTough 1700).....	4.8 (B)
Control Valve (175).....	4.9 (A)
Control Valve (ProTough 1700).....	4.9 (B)

5. HYDROSTATIC DRIVE SYSTEM

Hydrostatic Drive Circuit (175).....	5.1 (A)
Hydrostatic Drive Circuit (ProTough 1700).....	5.1 (B)
Hydrostatic Tandem Pump (Part 1).....	5.2 (A)
Hydrostatic Tandem Pump (Part 2).....	5.2 (B)
Torque Motor.....	5.3
Brake Valve.....	5.4

6. ELECTRICAL SYSTEM

Electrical Wiring, ROPS (175).....	6.1 (A)
Electrical Wiring, ROPS (ProTough 1700).....	6.1 (B)
Electrical Wiring, Engine (175).....	6.2 (A)
Electrical Wiring, Engine (ProTough 1700).....	6.2 (B)

7. ENGINE EQUIPMENT

Air Cleaner (175).....	7.1 (A)
Air Cleaner (ProTough 1700).....	7.1 (B)
Exhaust System (175).....	7.2 (A)
Exhaust System (ProTough 1700).....	7.2 (B)

8. OPTIONAL EQUIPMENT

Cab Enclosure (175 Only - <i>Not available on CE</i>).....	8.1
Cab Heater.....	8.2
Cab Door.....	8.3
Side Windows - Painted.....	8.4
Block Heater.....	8.5
Horn (175).....	8.6 (A)
Horn (ProTough 1700).....	8.6 (B)
Backup Alarm.....	8.7
Seat Belt.....	8.8
Auto Engine Shutdown.....	8.9
Axle Seal Protector.....	8.10
Wheel Equipment (175).....	8.11 (A)
Wheel Equipment (ProTough 1700).....	8.11 (B)
Hydraulic Oil Heater.....	8.12
Interior Light & Exterior Trouble.....	8.13
Precleaner (175 Only).....	8.14
Stop Switch (175 Only).....	8.15
Purifier (175 Only).....	8.16
Lifting Lug (ROPS).....	8.17
Self Level Valve.....	8.18
Light Kit (175 Only).....	8.19
Driving Lamp Kit (175 Only).....	8.20

NUMERICAL INDEX

LIABILITY WARRANTY

THE WARRANTY IS THE ONLY OBLIGATION OF THOMAS OR A THOMAS DEALER TO THE PURCHASER OR ANYONE ELSE CONCERNING A PRODUCT, ITS SERVICE, ITS USE OR PERFORMANCE OR ITS LOSS OF USE OR FAILURE TO PERFORM. NEITHER THOMAS NOR A THOMAS DEALER HAVE MADE AND NEITHER WILL MAKE ANY OTHER EXPRESSED OR IMPLIED REPRESENTATION, WARRANTY OR AGREEMENT CONCERNING A PRODUCT. NEITHER THOMAS NOR A THOMAS DEALER HAVE MADE OR WILL MAKE ANY REPRESENTATION, WARRANTY OR AGREEMENT CONCERNING A PRODUCTS MERCHANTABILITY OR OTHER QUALITY, ITS SUITABILITY FOR PURCHASER'S PURPOSE (EVEN IF A PURCHASER HAS INFORMED THOMAS OR A THOMAS DEALER OF THAT PURPOSE), ITS DURABILITY, PERFORMANCE OR OTHER CONDITION.

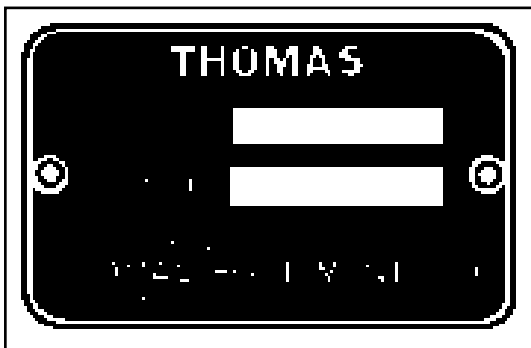
EVEN IF THOMAS OR A THOMAS DEALER WAS ADVISED OF THE POSSIBILITY OF SUCH LOSS, NEITHER THOMAS NOR A THOMAS DEALER WILL BE LIABLE TO PURCHASER OR ANYONE ELSE FOR ANY INDIRECT, INCIDENTAL CONSEQUENTIAL, PUNITIVE, ECONOMIC, COMMERCIAL, OR SPECIAL LOSS WHICH IS IN ANY WAY ASSOCIATED WITH A PRODUCT. THIS INCLUDES ANY LOSS OF USE OR NON-PERFORMANCE OF A PRODUCT, ANY REPLACEMENT RENTAL OR ACQUISITION COSTS, ANY LOSS OF REVENUE OR PROFITS, ANY FAILURE TO REALIZE EXPECTED SAVINGS, ANY INTEREST COSTS, ANY IMPAIRMENT OF OTHER GOODS, ANY INCONVENIENCE OR ANY LIABILITY OF PURCHASER TO ANY OTHER PERSON.

PURCHASER MAY NOT ATTEMPT TO ENLARGE ITS RIGHTS UNDER THE WARRANTY BY MAKING A CLAIM FOR INDEMNITY, FOR BREACH OF CONTRACT, FOR BREACH OF COLLATERAL WARRANTY, FOR A TORT (INCLUDING NEGLIGENCE, MISREPRESENTATION OR STRICT LIABILITY) OR BY CLAIMING ANY OTHER CAUSE OF ACTION.

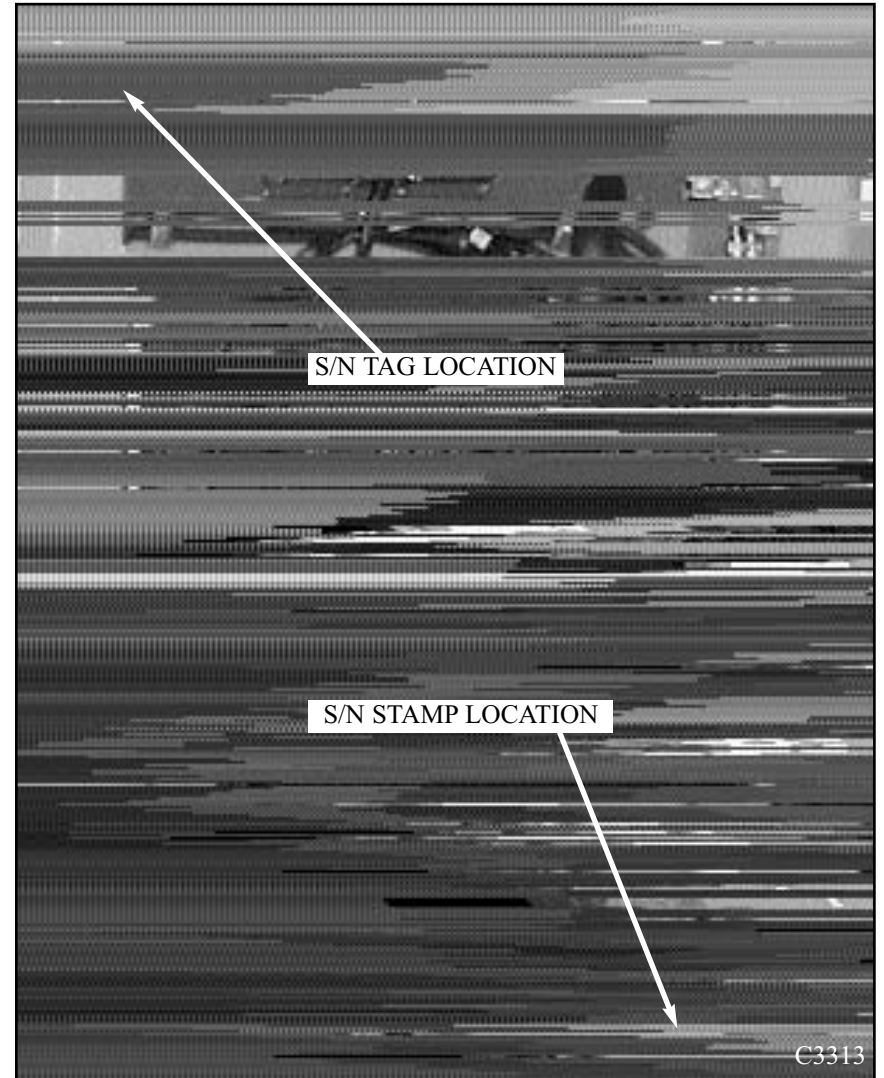
THE WARRANTY IS A CONDITION OF SALE OF THE PRODUCT TO PURCHASER AND WILL THEREFORE APPLY EVEN IF PURCHASER ALLEGES THAT THERE IS A TOTAL FAILURE OF THE PRODUCT.

*N.B. Read and practice your **Thomas** operating and servicing instructions. Failure to do this may void your warranty.*

Publication Number 048178SP

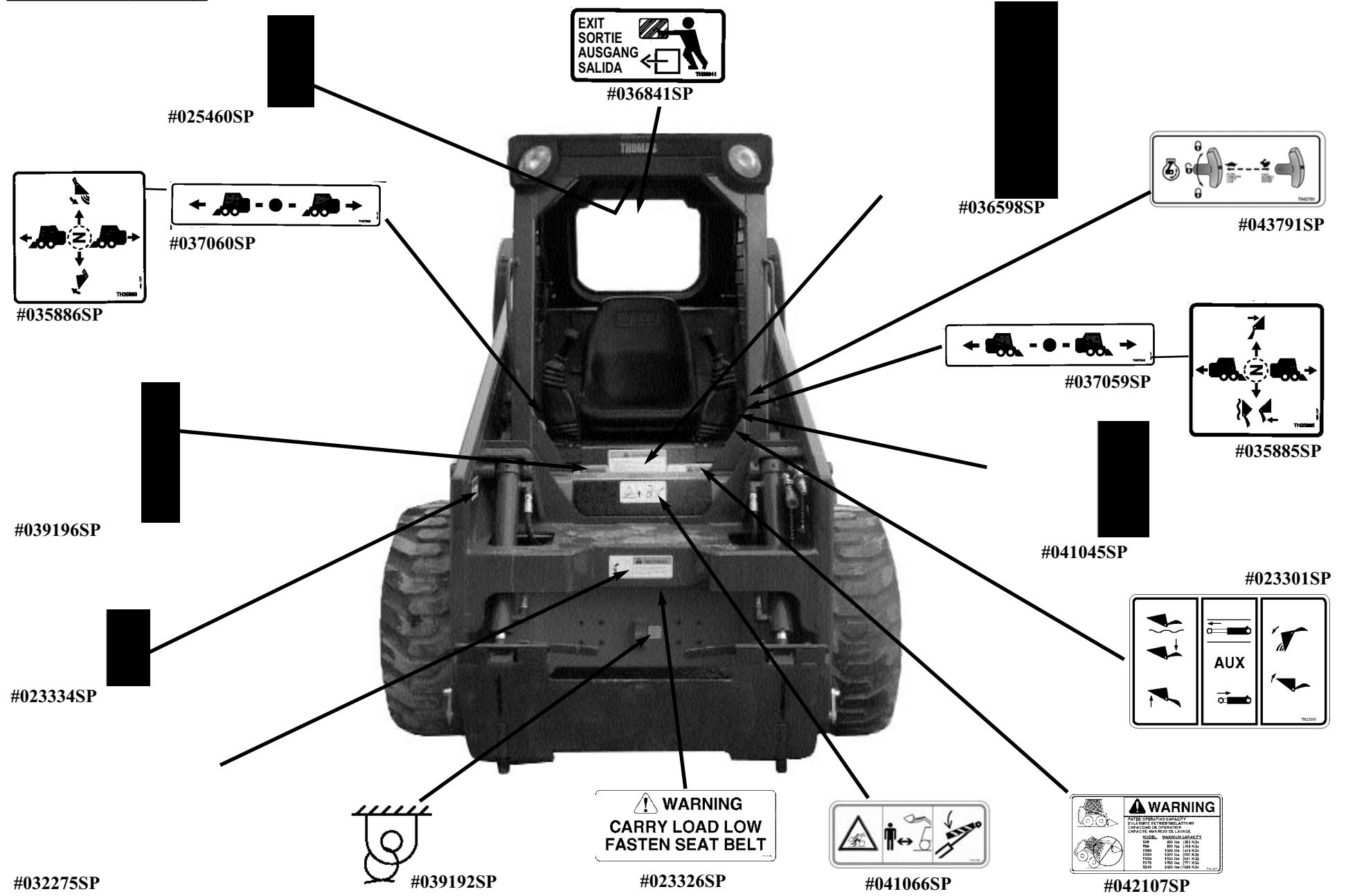


It is important when ordering replacement parts or making a service inquiry to provide both the model number and serial number of your Thomas loader. The serial number plate is located at the rear of the machine on the left hand side. In the event that the serial number plate is missing, the model number and serial number are both stamped into the main frame inside the rear door, right hand side, next to the fuel line shut off petcock. (fig. C3313)



C3313

175 DECAL CHART



175 DECAL CHART

#038044SP

OIL. 20W50 API SE.CD
TH38044

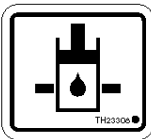
#038043SP

OIL. 10W30 API SE.CD
TH38043

#023312SP



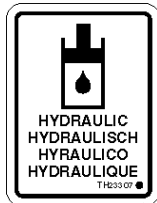
#023308SP



#041064SP



#039192SP



#023307SP

THIS MACHINE AND ITS COMPONENTS ARE PROTECTED BY ONE OR MORE OF THE FOLLOWING PATENTS:

CANADIAN	U.S.	PENDING
1 522 886	4 972 864	07/060 824
1 265 898	3 936 282	
2 162 875	2 432 217	
	4 548 502	
	4 287 544	
	4 287 544	
	4 186 277	

TH30710

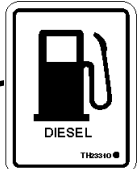
#037010SP



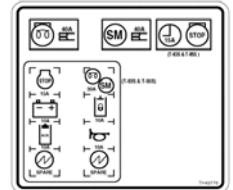
#039191SP



#023321SP



#023310SP



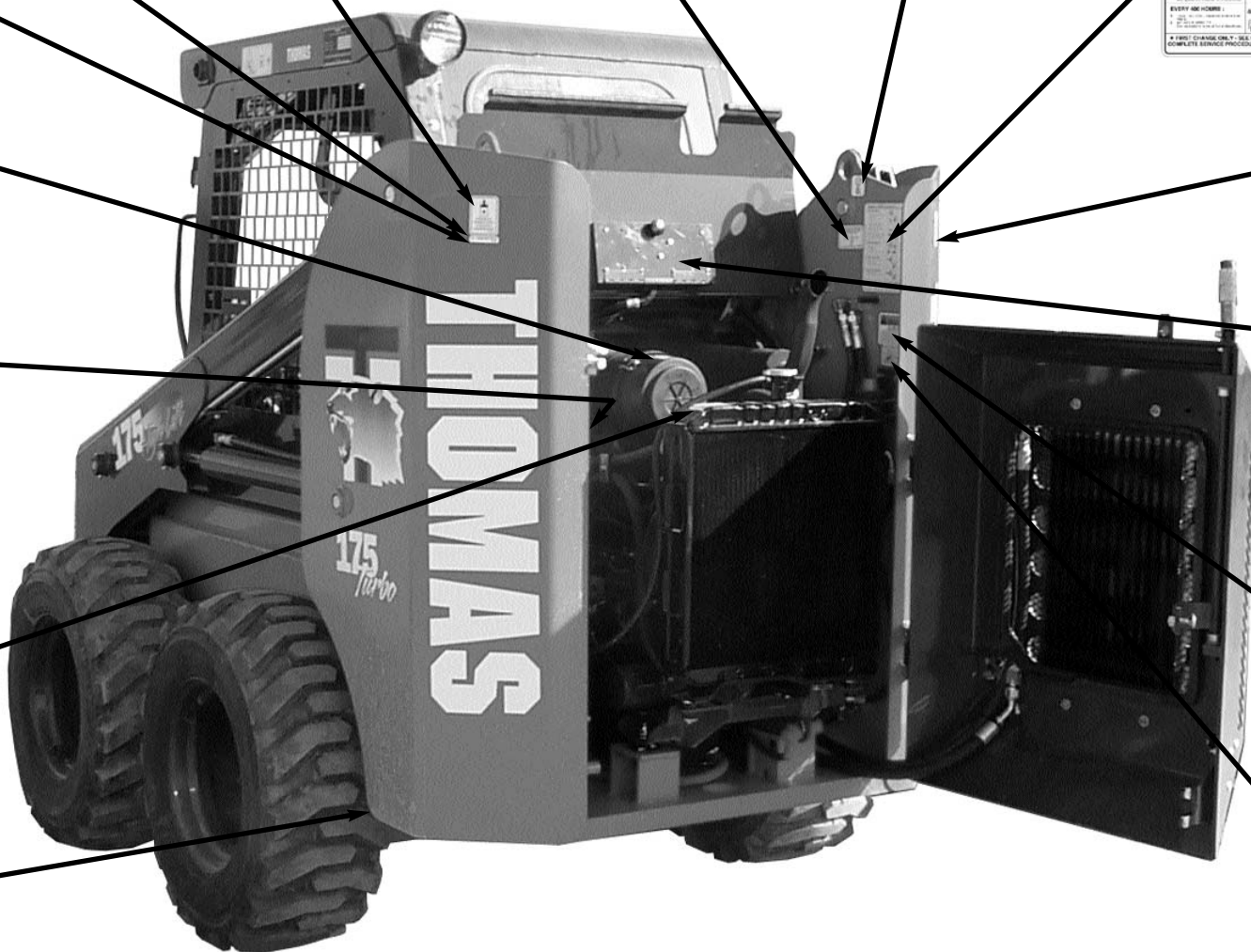
#042529SP



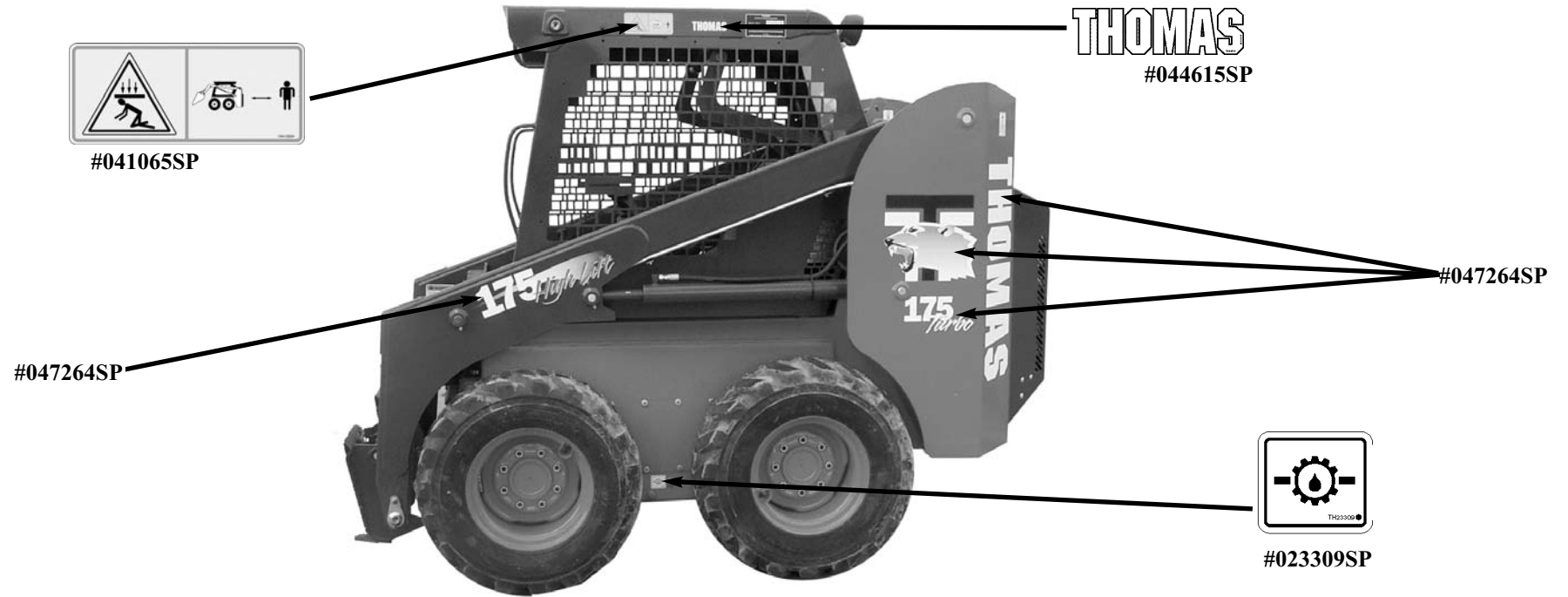
#023325SP



#046301SP

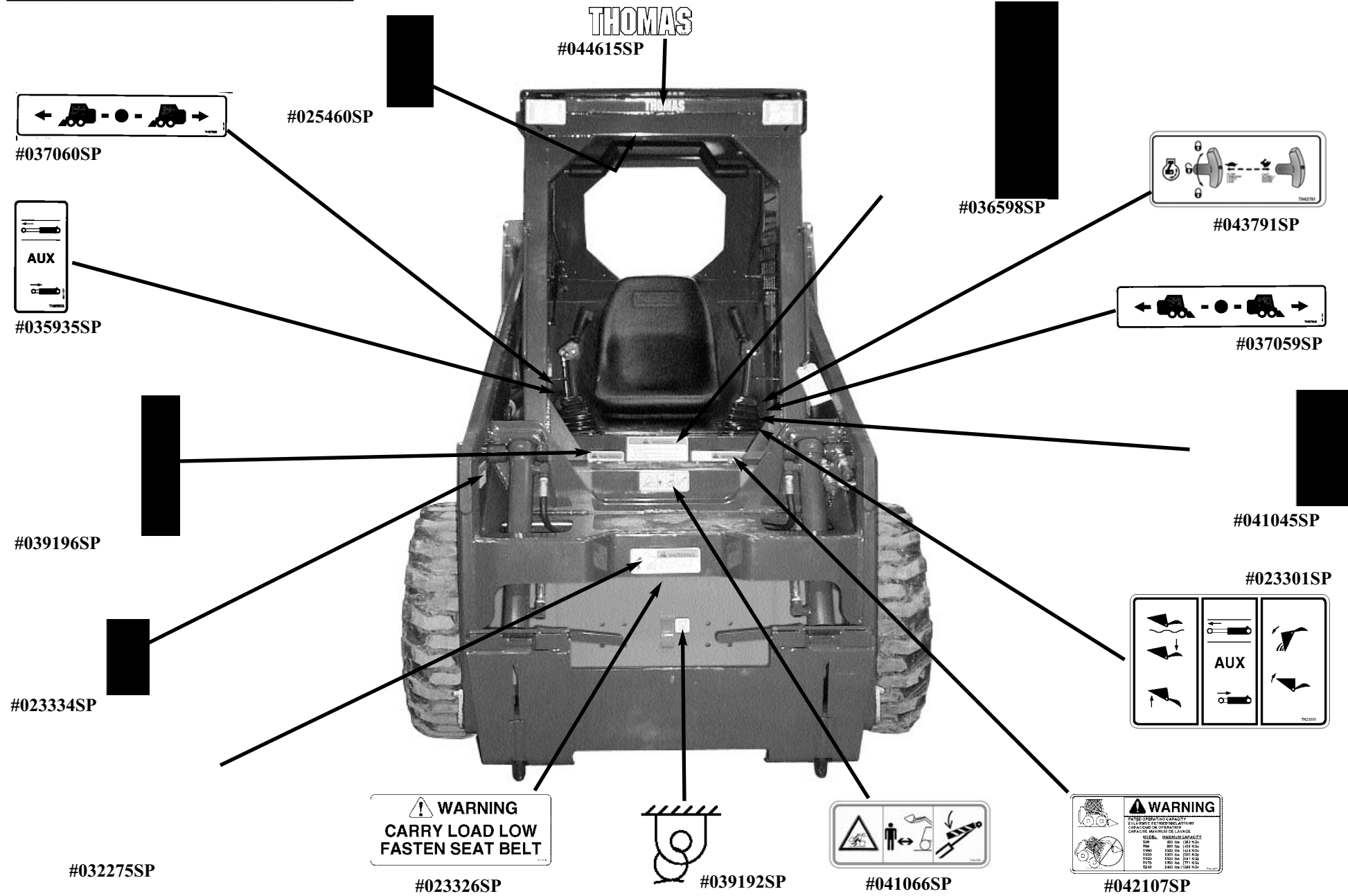


175 DECAL CHART

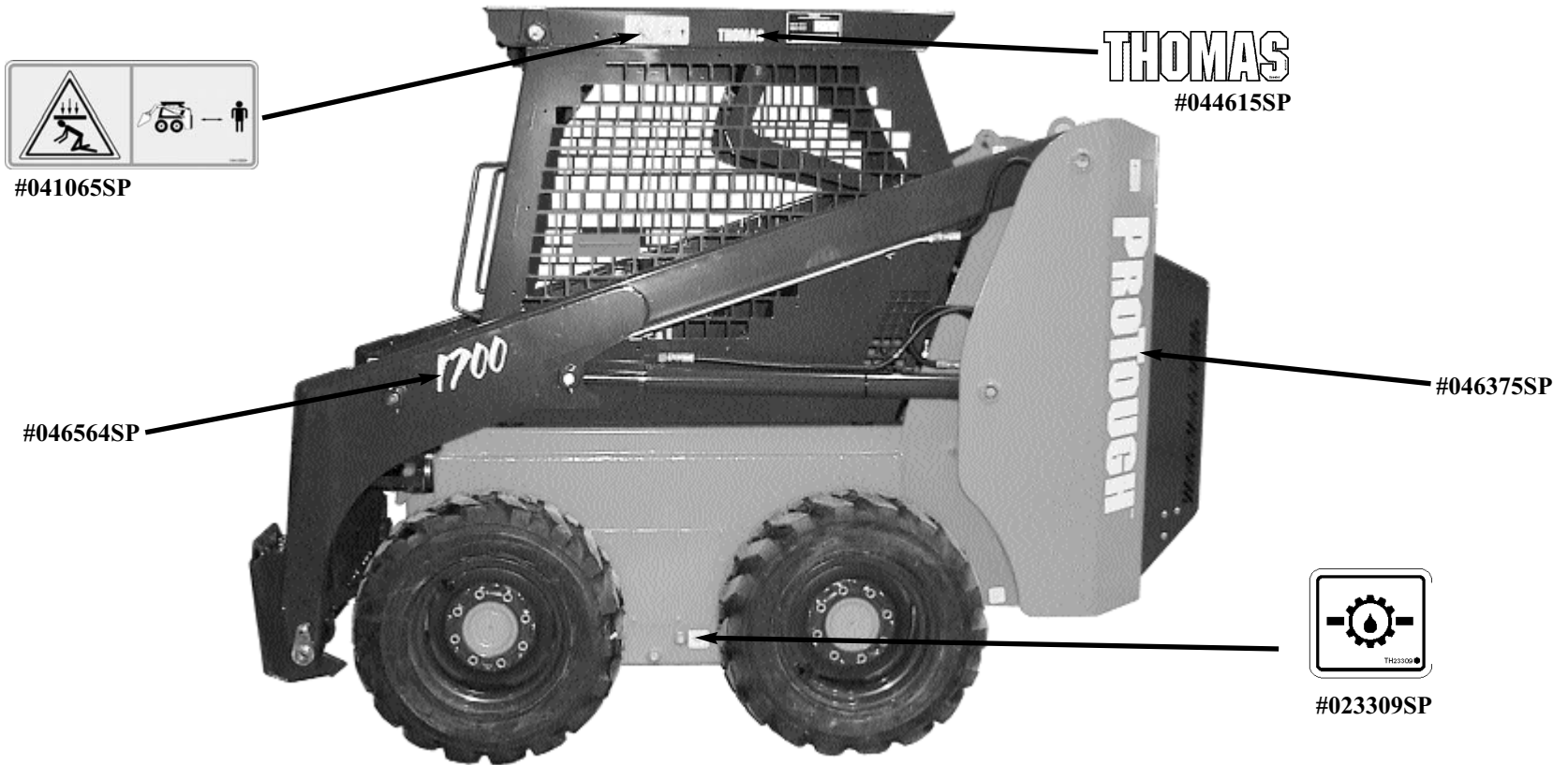


PART	QTY	DESCRIPTION	PAINT	QTY	DESCRIPTION
047264SP	1	Decal, 175 Designation	047858 SP	1	Decal, LWA 104, Noise Output (CE loaders only)
046453SP	1	Common Decal Kit	040970 SP	-	Orange Paint, Aerosol
046232SP	1	Tag, ROPS/FOPS Approval	041123 SP	-	Grey Paint, Aerosol
043145SP	1	Decal, Park Brake	041778 SP	1	Orange Paint, Pre-mixed, Per Litre
041544SP	1	Decal Kit, Dutch	041738 SP	1	Grey Paint, Pre-mixed, Per Litre
041545SP	1	Decal Kit, German			
041546SP	1	Decal Kit, French			
041547SP	1	Decal Kit, Italian			
041548SP	1	Decal Kit, Spanish			
041576SP	1	Decal Kit, Danish			

PROTOUGH 1700 DECAL CHART



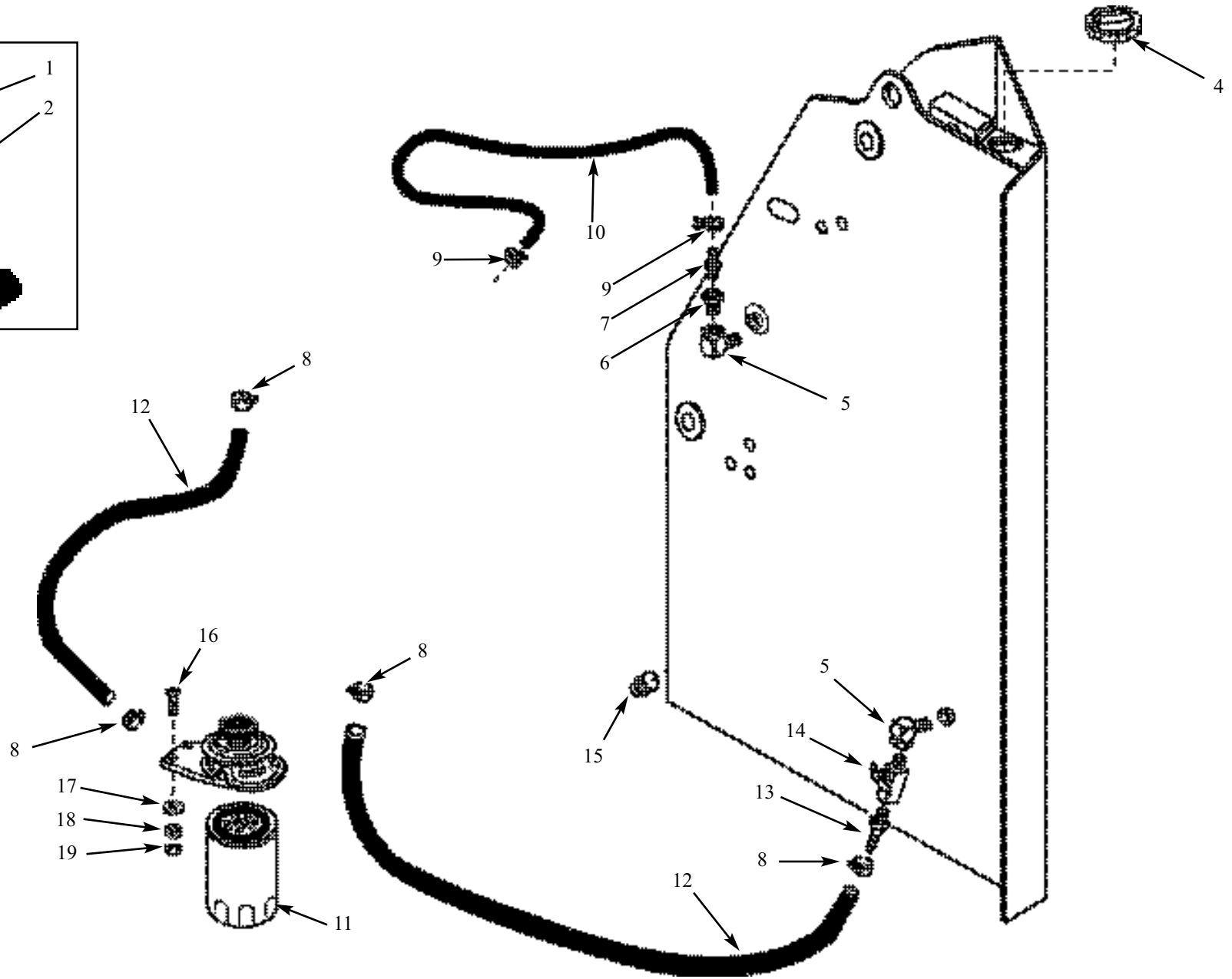
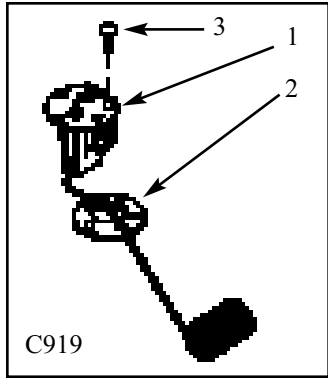
PROTOUGH 1700 DECAL CHART



PART	QTY	DESCRIPTION	PART	QTY	DESCRIPTION
046564SP	2	Decal, 1700 Designation	040970SP	-	Orange Paint, Aerosol
046375SP	1	Decal, ProTough	041123SP	-	Grey Paint, Aerosol
047789SP	1	Common Decal Kit	041778SP	1	Orange Paint, Pre-mixed, Per Litre
046232SP	1	Tag, ROPS/FOPS Approval	041738SP	1	Grey Paint, Pre-mixed, Per Litre

1. MAINFRAME

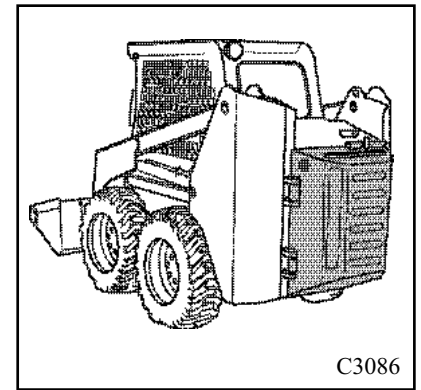
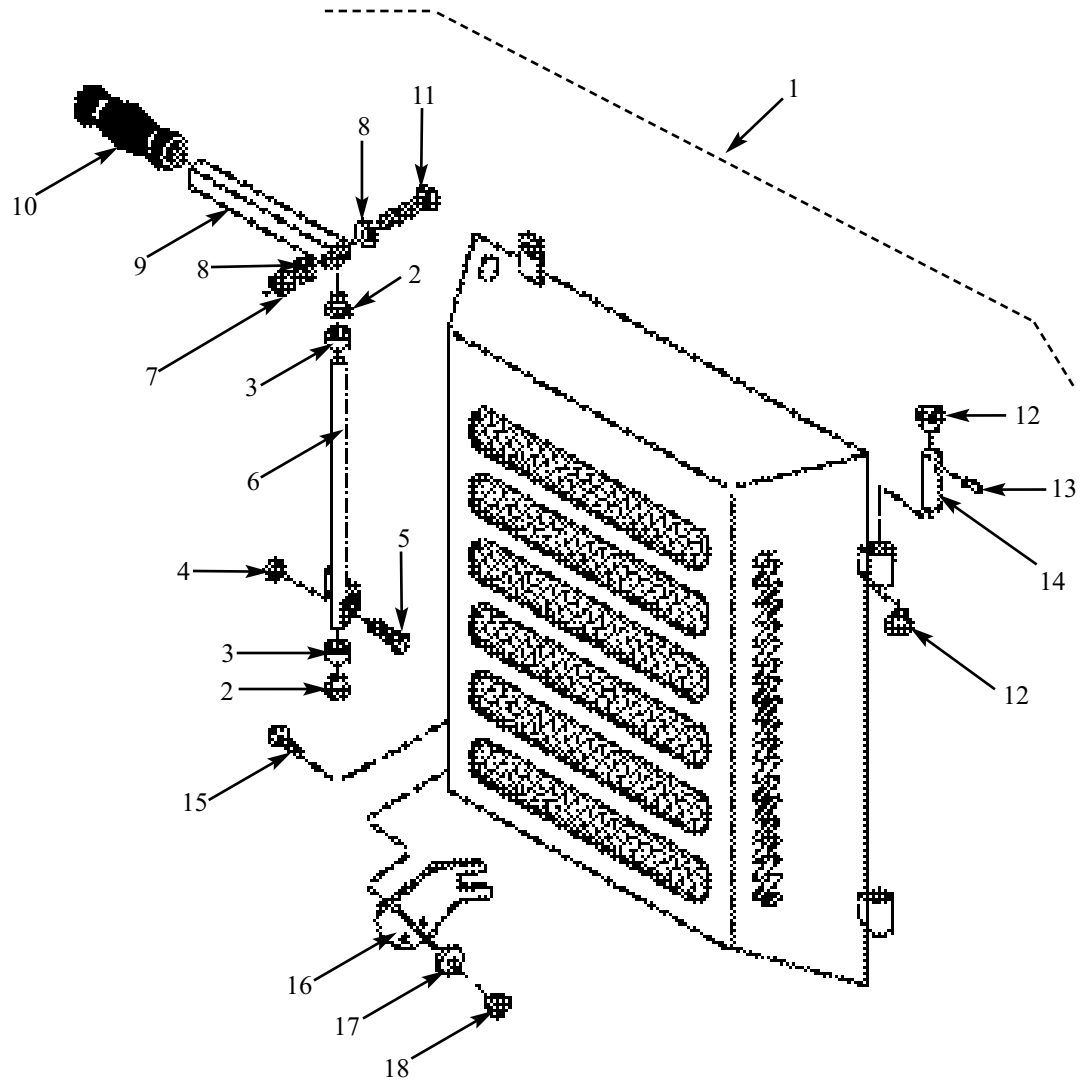
Fuel System	1.1
Rear Door.....	1.2
Universal Quick-Tach.....	1.3
Lift Arms and Pivot Pins	1.4
ROPS Assembly (175)	1.5 (A)
ROPS Assembly (ProTough 1700)	1.5 (B)
Boom Supports	1.6
Shields (175)	1.7 (A)
Shields (ProTough 1700).....	1.7 (B)
Insulation (up to S/N LQ000200)	1.8 (A)
Insulation (S/N LQ000200 onward)	1.8 (B)
Seat and Seat Belt (175)	1.9 (A)
Seat and Seat Belt (ProTough 1700).....	1.9 (B)



ITEM	PART	QTY	DESCRIPTION
1.	043744SP	1	Sender, Fuel Level
2.	024624SP	1	Gasket, Fuel Sender
3.	023194SP	5	Screw
4.	040921SP	1	Fuel Cap
4.	040922SP	1	Locking Fuel Cap (Option - 175 Only)
5.	042574SP	1	Elbow
6.	042572SP	1	Reducer Bushing
7.	018318SP	1	Hose End
8.	019949SP	4	Fuel Line Clamp
9.	026737SP	2	Clamp, Wire Hose 3/16
10.	000407SP	3.3 ft.	Hose, Fuel 3 3/16
11.	042561SP	1	Fuel Filter Element
*	042560SP	1	Fuel Filter Assy.
12.	000261SP	5.33 ft.	Hose, Fuel 5 5/16 (48" Tank to Filter, 16" Filter to Engine)
13.	023861SP	1	Hose End
14.	014797SP	1	Shut Off Petcock (175 Only)
15.	017144SP	1	Drain Plug
16.	001387SP	2	Bolt
17.	001643SP	2	Flat Washer
18.	001642SP	2	Lock Washer
19.	001194SP	2	Nut

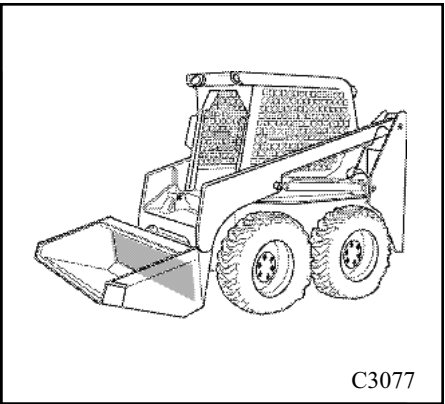
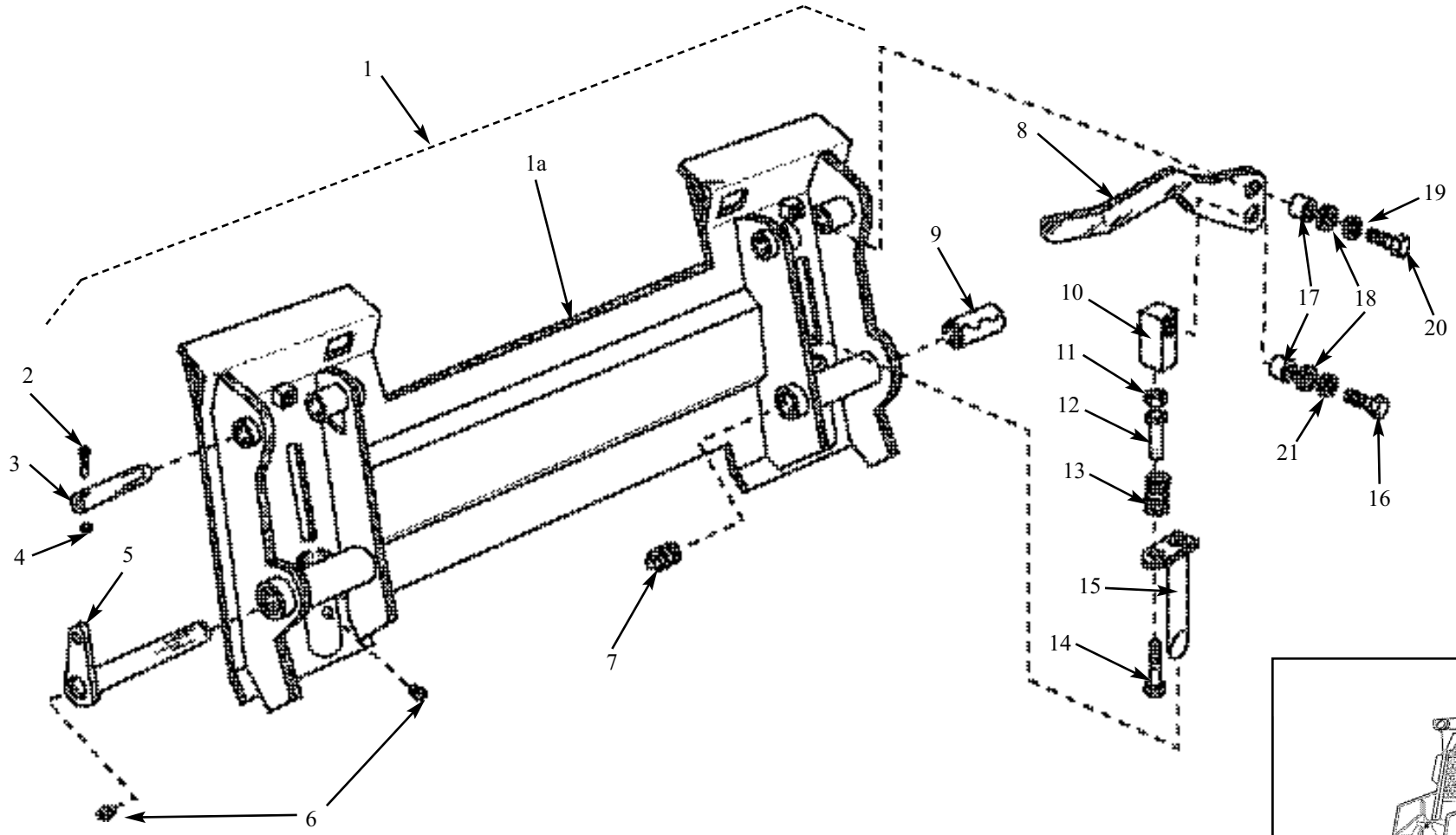
REAR DOOR

1.2



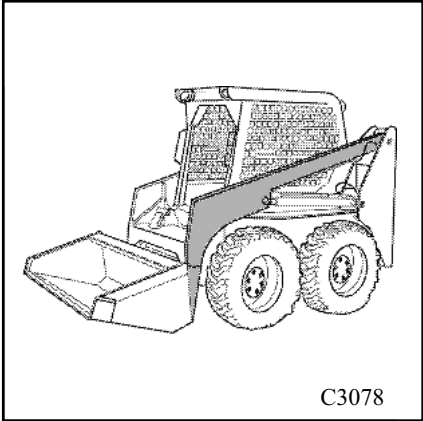
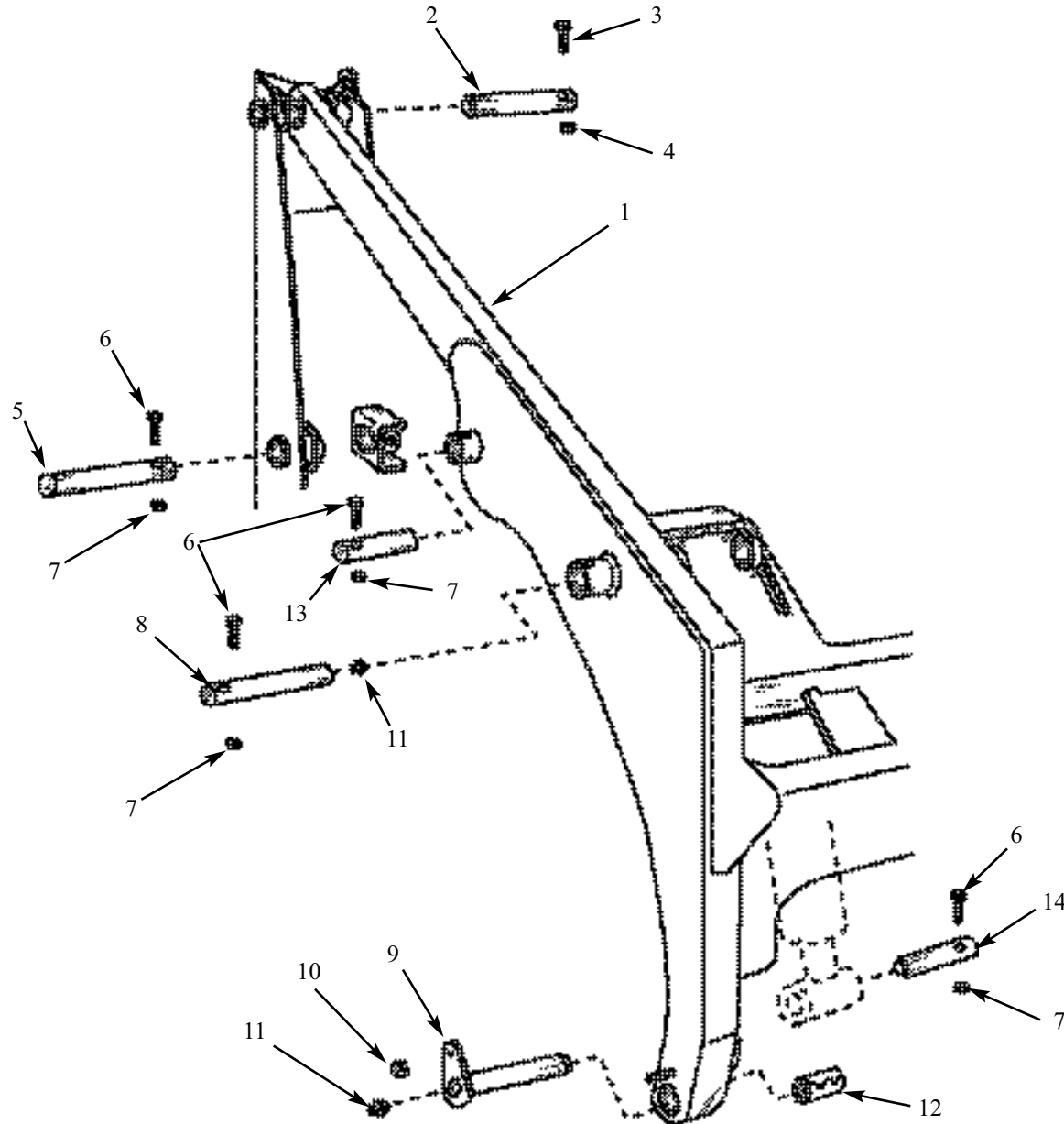
C3197

ITEM	PART	QTY	DESCRIPTION
1.	963762SP	1	Door, Rear Welded Assembly
2.	016989SP	2	Bearing
3.	047952SP	2	Set Collar
4.	020860SP	1	Nut
5.	002823SP	1	Bolt
6.	961614SP	1	Lock, Rear Door Assembly
7.	016771SP	1	Lock Nut
8.	001651SP	2	Flat Washer
9.	035426SP	1	Handle
10.	003189SP	1	Lever Grip
11.	001678SP	1	Bolt
12.	031488SP	4	Bearing
13.	046227SP	2	Pivot Pin
14.	031489SP	2	Split Spring Pin
15.	002835SP	3	Bolt
16.	041956SP	1	Door Guide Plate
17.	001643SP	3	Flat Washer
18.	007465SP	3	Lock Nut



ITEM	PART	QTY	DESCRIPTION
1.	962264SP	1	Quick-Tach, Universal Complete
1a.	961697SP	1	Quick-Tach, Universal Welded Assy.
2.	007458SP	2	Bolt
3.	043636SP	2	Pivot Pin (Hardened)
4.	016771SP	2	Lock Nut
5.	043634SP	2	Pivot Pin (Hardened)
*	008613SP	2	Lock Nut for Pivot Pin
6	002010SP	4	Grease Fitting
7.	001458SP	2	Plug
8.	041290SP	1	Lock Handle, Right Hand
*	041291SP	1	Lock Handle, Left Hand
9.	041318SP	2	Hardened Bushing
10.	040614SP	2	Linkage Block
11.	020860SP	2	Nut
12.	042350SP	2	Bushing
13.	041391SP	2	Spring
14.	002011SP	2	Bolt
15.	961834SP	1	Lock Pin, RH
*	961833SP	1	Lock Pin, LH
16.	003321SP	2	Bolt
17.	022653SP	4	Bushing, Stabilizer Bar
18.	023385SP	4	Flat Washer
19.	041392SP	2	Belleville Spring Washer
20.	001680SP	2	Bolt
21.	020861SP	2	Lock Washer

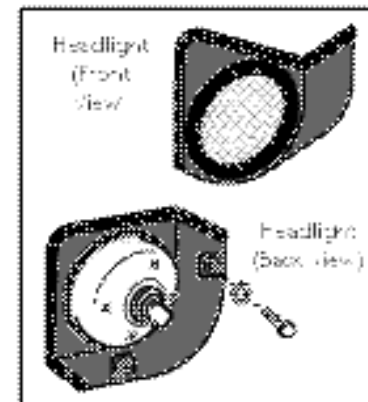
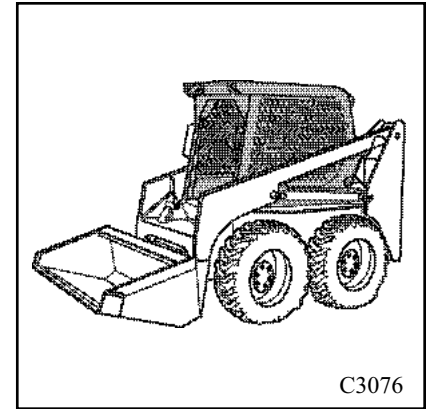
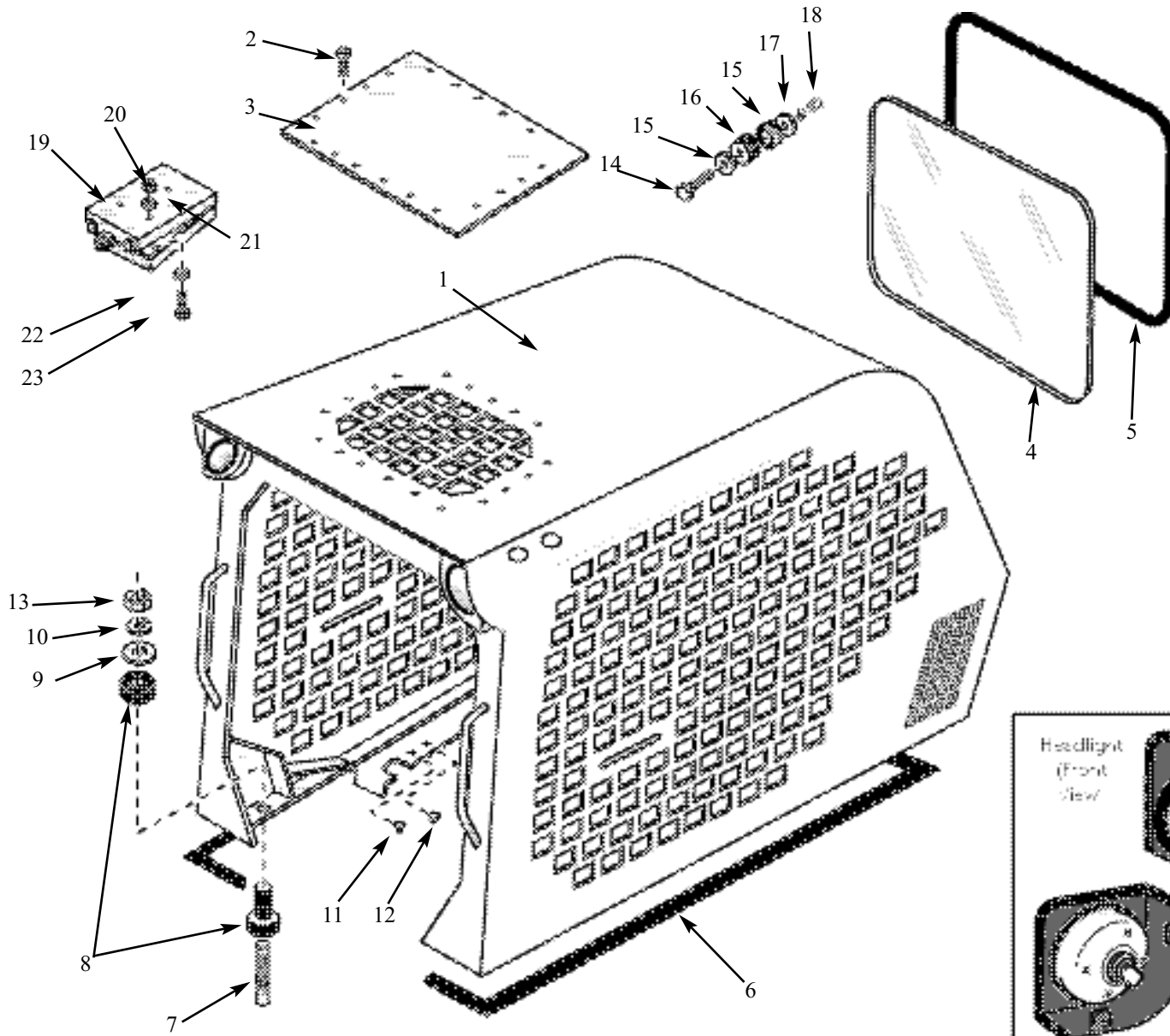
LIFT ARMS and PIVOT PINS



ITEM	PART	QTY	DESCRIPTION
1.	963646SP	1	Lift Arm Welded Assembly
2.	043635SP	2	Pivot Pin, Hardened
3.	001671SP	2	Bolt
4.	007465SP	2	Lock Nut
5.	043637SP	2	Pivot Pin, Hardened
6.	007458SP	8	Bolt
7.	016771SP	8	Lock Nut
8.	043831SP	2	Pivot Pin, Hardened
9.	043634SP	2	Pivot Pin, hardened
10.	008613SP	2	Lock Nut
11.	002010SP	4	Grease Fitting
12.	041410SP	2	Hardened Bushing
13.	043828SP	2	Hardened Pin
14.	043636SP	2	Pivot Pin, Hardened

ROPS ASSEMBLY (175)

1.5 (A)

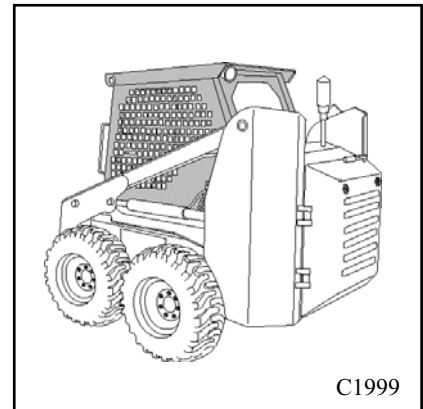
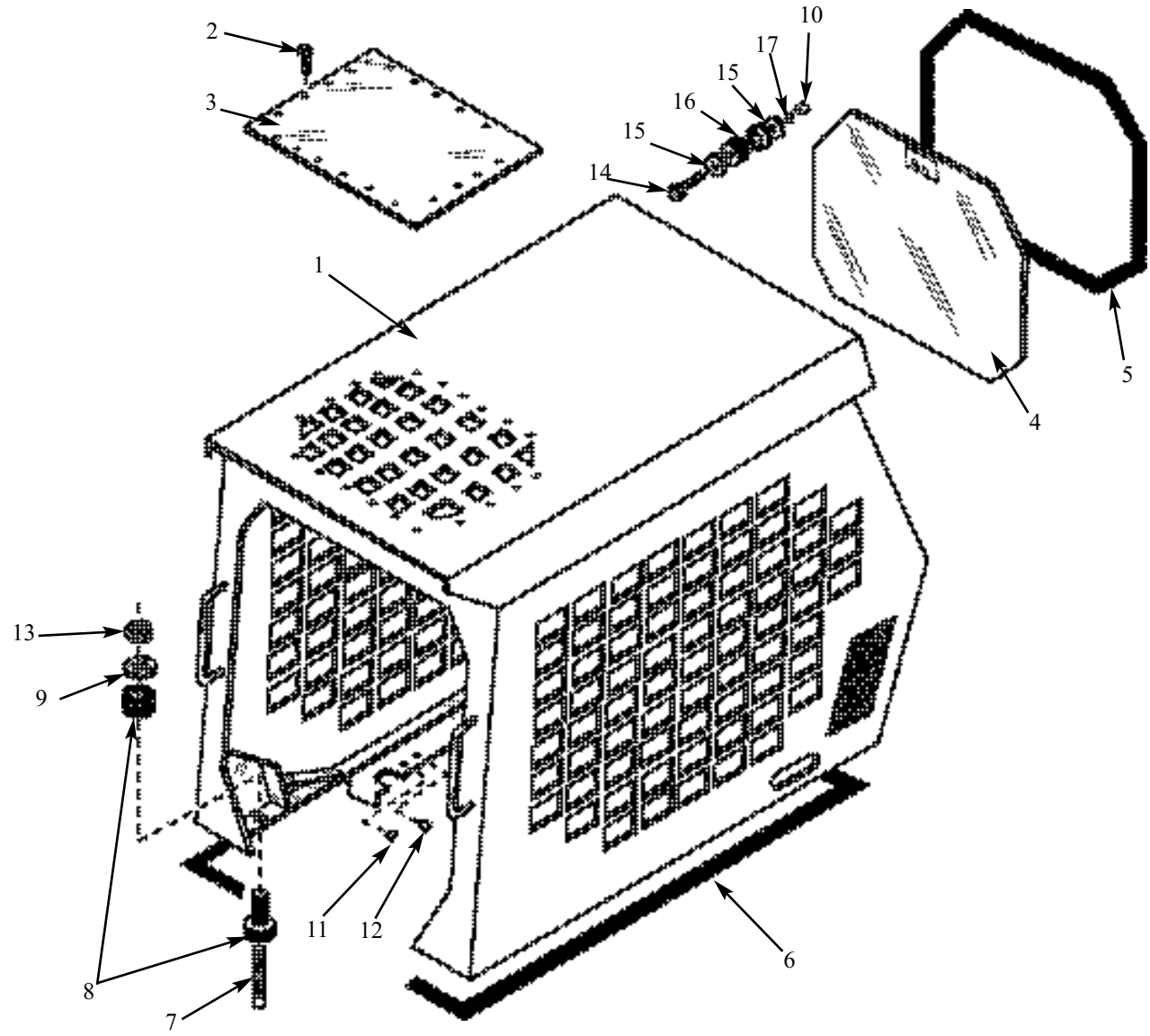


C2957

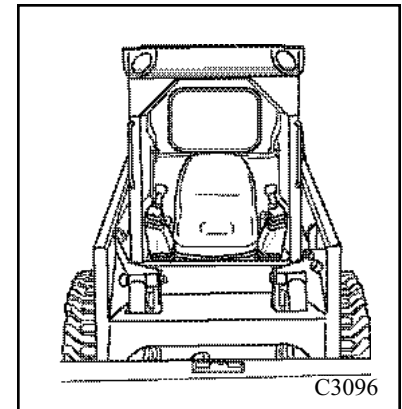
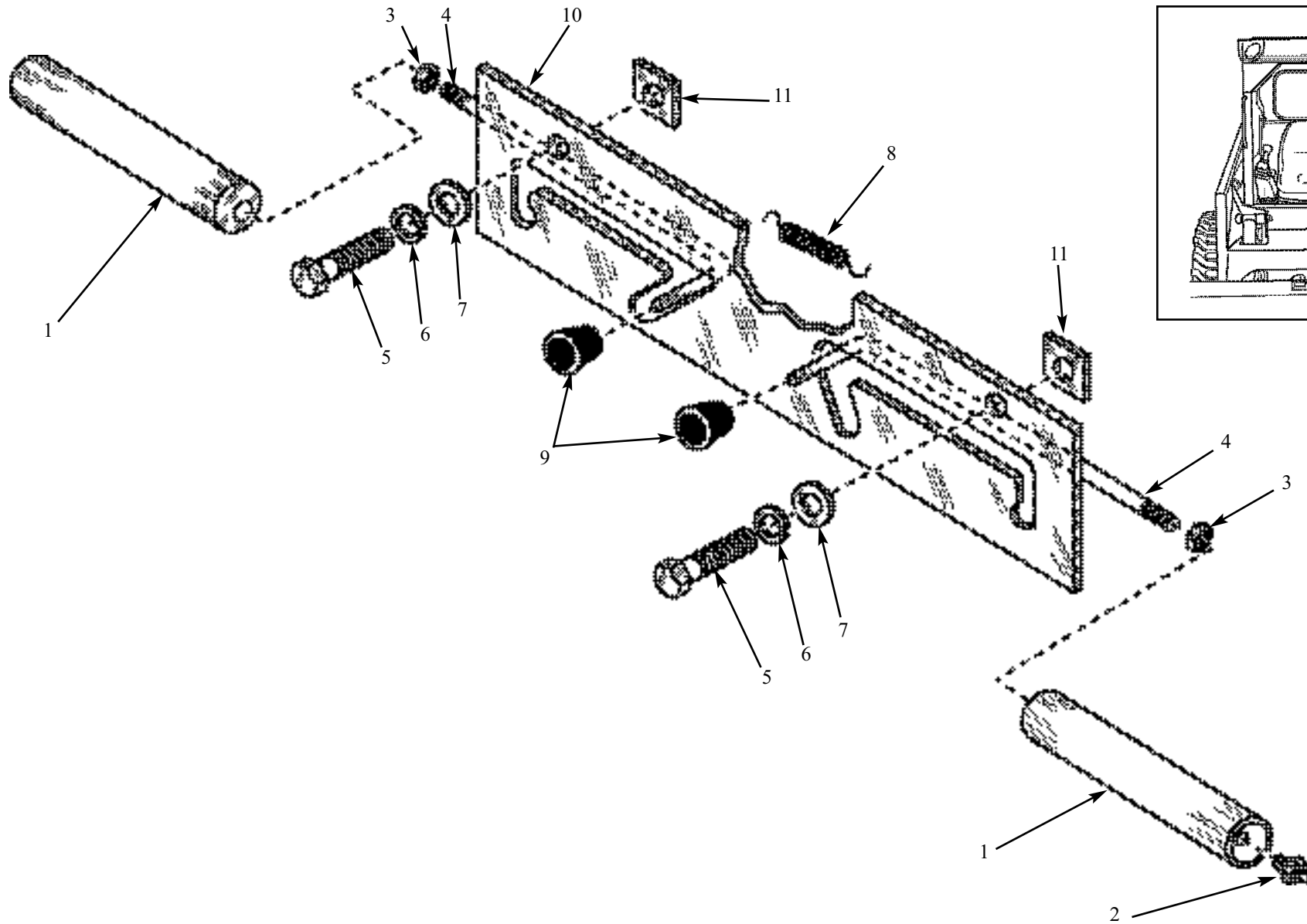
ITEM	PART	QTY	DESCRIPTION
1.	963657SP	1	R.O.P.S. Complete
2.	031744SP	12	Screw
3.	037808SP	1	Top Window
4.	046303SP	1	Rear Window w/ Decal
5.	015750SP	8 ft	Weatherstrip
6.	015931SP	28 ft	Weatherstrip, Foam (50' roll)
7.	017633SP	4	Stud
8.	038561SP	4	Isolator
9.	023452SP	4	Washer, Snubbing
10.	001647SP	4	Lock Washer
11.	039537SP	1	Plug
12.	039126SP	1	Plug
13.	016608SP	4	Lock Nut
14.	002898SP	1	Bolt
15.	020235SP	2	Washer
16.	038560SP	1	Isolator
17.	020861SP	1	Lock Washer
18.	020860SP	1	Nut
19.	040737SP	1	Manual Holder
20.	006645SP	3	Lock Nut
21.	018455SP	3	Washer
22.	001650SP	3	Washer
23.	002663SP	3	Bolt

ROPS ASSEMBLY (ProTough 1700)

1.5 (B)



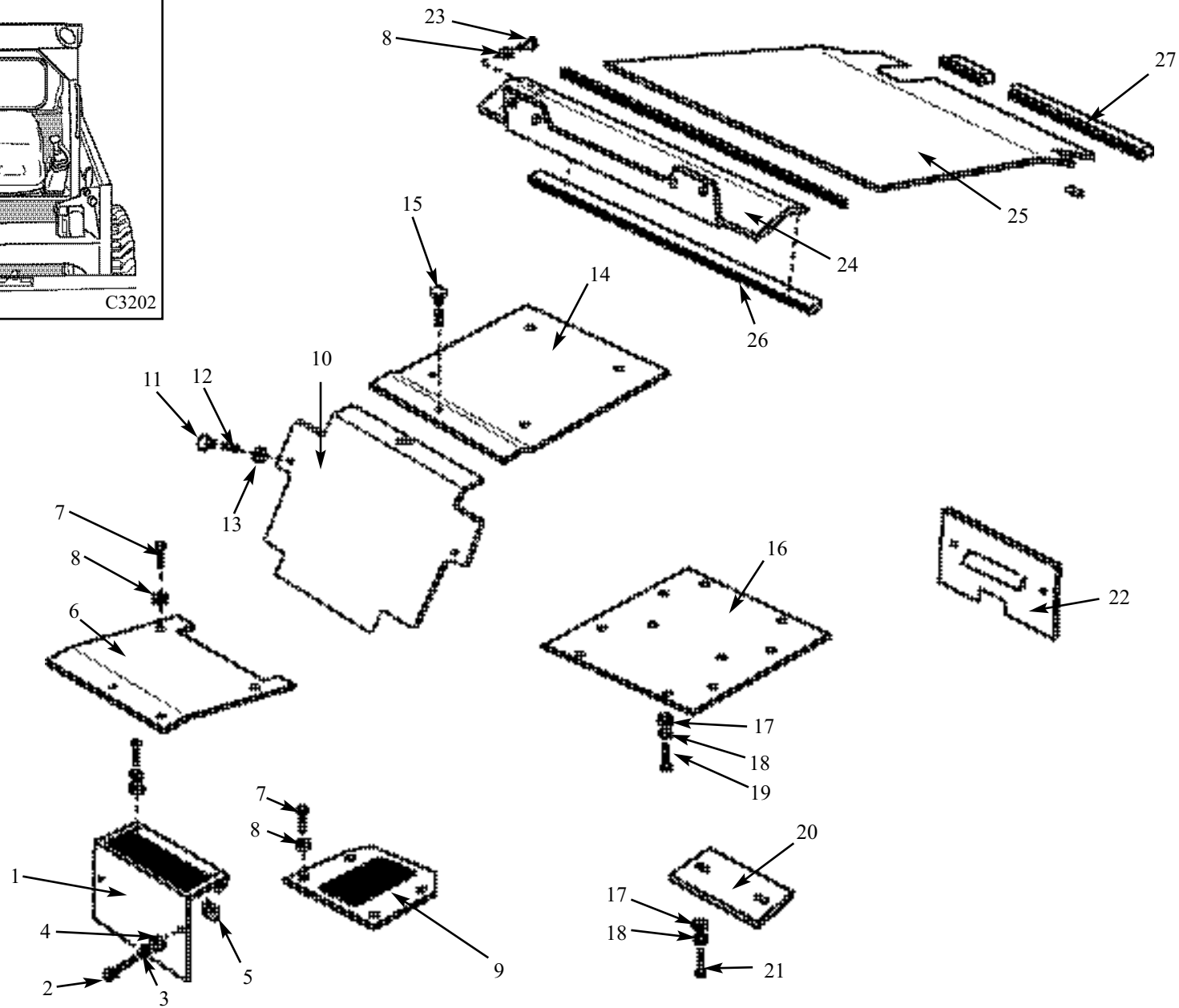
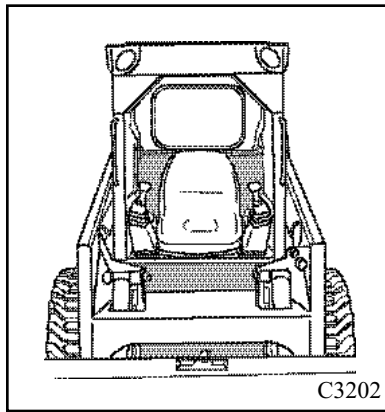
ITEM	PART	QTY	DESCRIPTION
1.	963666SP	1	ROPS Complete
2.	031744SP	12	Screw
3.	963423SP	1	Top Window (Optional Kit)
4.	963424SP	1	Rear Window (Optional Kit)
5.	015750SP	8 ft	Weatherstrip
6.	015931SP	A/R	Weatherstrip, Foam
7.	017633SP	4	Stud
8.	038561SP	4	Isolator
9.	023452SP	4	Washer
10.	020860SP	1	Nut
11.	039537SP	1	Plug
12.	039126SP	1	Plug
13.	016608SP	4	Lock Nut
14.	002898SP	1	Bolt
15.	020235SP	2	Washer
16.	038560SP	1	Isolator
17.	020861SP	1	Lock Washer



ITEM	PART	QTY	DESCRIPTION
1.	044061SP	2	Pin, Boom Support
2.	002010SP	2	Grease Fitting
3.	001350SP	2	Nut
4.	040337SP	2	Bar, Lock Pin Handle
5.	002593SP	2	Bolt
6.	001870SP	2	Lock Washer
7.	001651SP	2	Flat Washer
8.	042491SP	1	Spring
9.	039546SP	2	Handle Knobs
10.	038797SP	1	Panel
11.	006086SP	2	Captive Nut

SHIELDS (175)

1.7 (A)

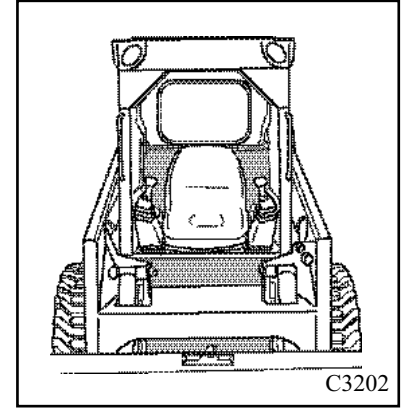
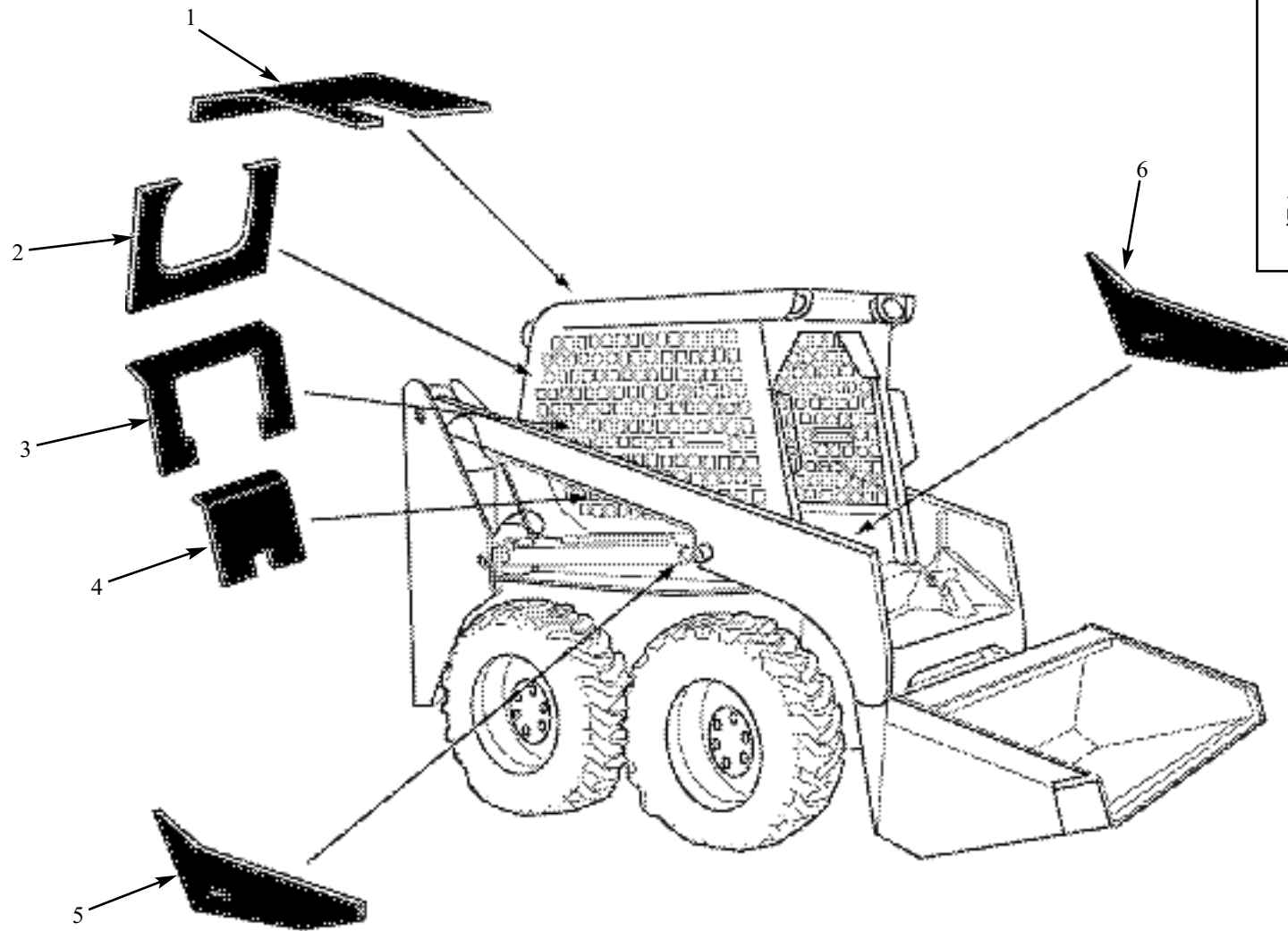


ITEM	PART	QTY	DESCRIPTION
1.	025762SP	1	Shield, Front Step
2.	001190SP	4	Bolt, Hex
3.	001870SP	4	Washer, Lock
4.	001651SP	4	Washer, Flat
5.	006086SP	4	Nut, Captive
6.	963266SP	1	Step Shield Assy. (Hand Controls)
7.	002663SP	4	Bolt, Hex
8.	001650SP	8	Washer, Flat
9.	044797SP	1	Sheet, Step Shield (Foot Controls)
10.	963106SP	1	Front Bulkhead Assy.
11.	041791SP	2	Knob, Black, w/Brass Insert
12.	041704SP	2	Bar, Stud
13.	001651SP	2	Washer, Flat
14.	041619SP	1	Sheet, Seat Mount
15.	042070SP	1	Knob, Black w/Stud
16.	047150SP	1	Plate, Rear Access Cover
17.	001643SP	10	Washer, Flat
18.	001642SP	10	Washer, Lock
19.	001387SP	8	Bolt, Hex
20.	032070SP	1	Sheet, Clean Up Cover
21.	001193SP	2	Bolt, Hex
22.	961528SP	1	Sheet Panel Access Assy.
23.	031744SP	4	Screw, Hex Head, Tapping
24.	042227SP	1	Sheet, Rear Shield
25.	963748SP	1	Engine Cover Assy.
26.	000820SP	2.917 ft.	Edging, Vinyl Door .25"
27.	000821SP	2.333 ft.	Molding, Trim Seal 1/8"

ITEM	PART	QTY	DESCRIPTION
1.	025762SP	1	Shield, Front Step
2.	001190SP	4	Bolt, Hex
3.	001870SP	4	Washer, Lock
4.	001651SP	4	Washer, Flat
5.	006086SP	4	Nut, Captive
6.	000820SP	2.917 ft.	Edging, Vinyl Door .25"
7.	005170SP	4	Bolt, Hex
8.	001650SP	8	Washer, Flat
9.	044797SP	1	Sheet, Step Shield (Foot Controls)
10.	963106SP	1	Front Bulkhead Assy.
11.	001190SP	3	Bolt, Hex
12.	963748SP	1	Engine Cover Assy.
13.	001651SP	2	Washer, Flat
14.	041619SP	1	Sheet, Seat Mount
15.	042227SP	1	Sheet, Rear Shield
16.	047150SP	1	Plate, Rear Access Cover
17.	001643SP	10	Washer, Flat
18.	001642SP	10	Washer, Lock
19.	001387SP	8	Bolt, Hex
20.	032070SP	1	Sheet, Clean Up Cover
21.	001193SP	2	Bolt, Hex
22.	000821SP	2.333 ft.	Molding, Trim Seal 1/8"
23.	031744SP	4	Screw, Hex Head, Tapping
24.	002279SP	4	Washer, Lock

INSULATION (175 - up to S/N LQ000200)

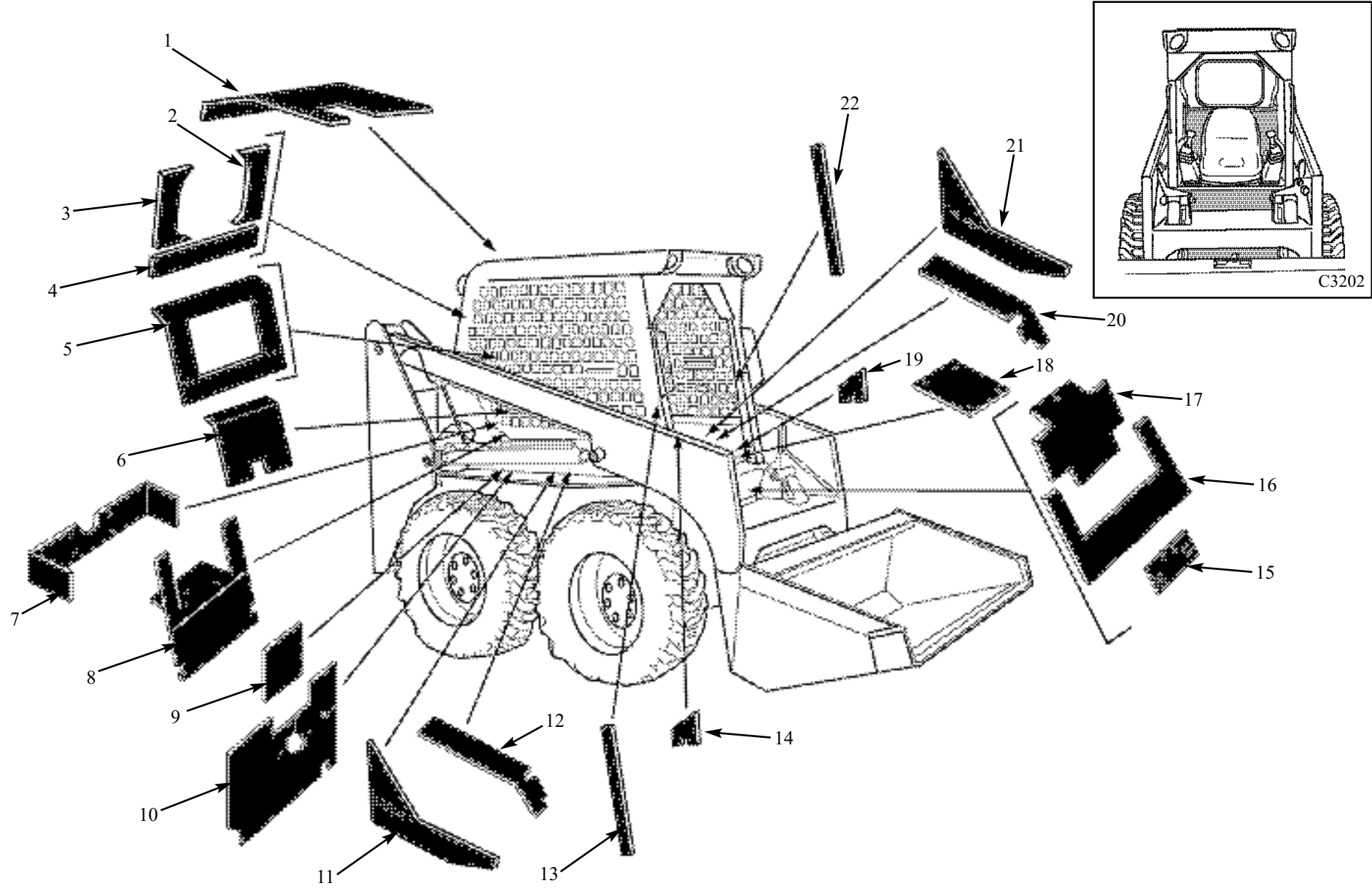
1.8 (A)



ITEM	PART	QTY	DESCRIPTION
1.	046528SP	1	Insulation, ROPS Rear Top
2.	046529SP	1	Insulation, ROPS Rear Window
3.	044713SP	1	Insulation, Battery Box
4.	043850SP	1	Insulation, Battery Box Cover
5.	043854SP	1	Insulation, ROPS Side, RH
6.	043853SP	1	Insulation, ROPS Side, LH

INSULATION (175 - S/N LQ000200 onward)

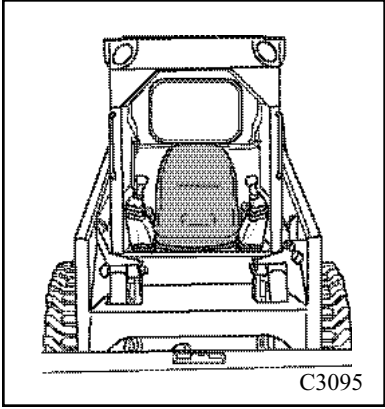
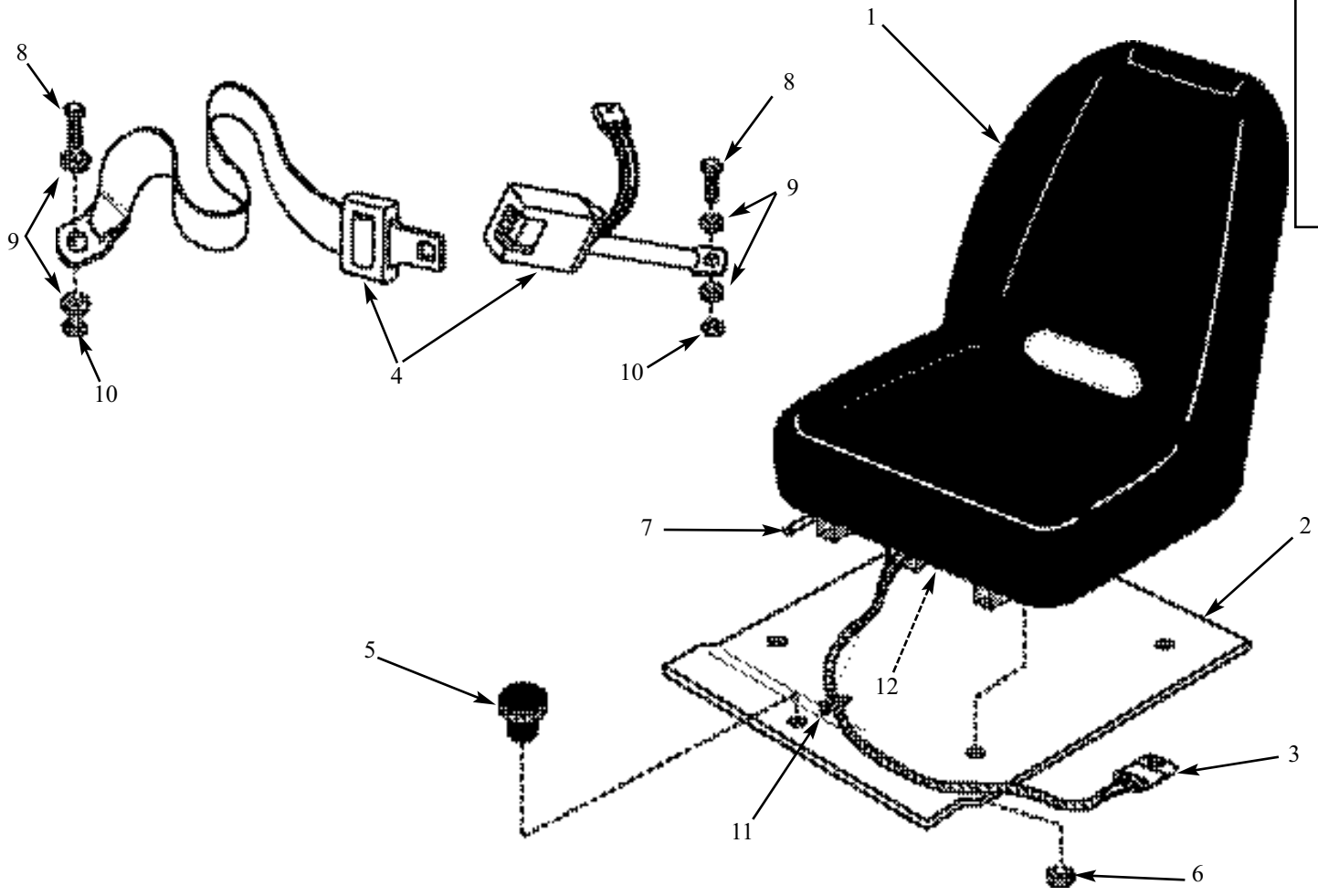
1.8 (B)



ITEM	PART	QTY	DESCRIPTION
1.	047389SP	1	Insulation, Headliner
2.	047394SP	1	Insulation, Left Rear Cornerpost
3.	047395SP	1	Insulation, Right Rear Cornerpost
4.	047393SP	1	Insulation, Lower Rear Window Panel
5.	048023SP	1	Insulation, Back Panel
6.	047392SP	1	Insulation, Battery Compartment Cover
7.	047412SP	1	Insulation, Outer Blanket
8.	047411SP	1	Insulation, Battery Box Blanket
9.	047967SP	1	Insulation, Panel Access
10.	047966SP	1	Insulation, Pump Mount
11.	048022SP	1	Insulation, Right Side Panel
12.	047410SP	1	Insulation, ROPS Shield RH
13.	047401SP	1	Insulation, Right Front Cornerpost
14.	047403SP	1	Insulation, Right Cab Mount Filler
15.	047965SP	1	Insulation, Front Frame
16.	047406SP	1	Insulation, Front Bulkhead
17.	047964SP	1	Insulation, Front Shield
18.	047404SP	1	Insulation, Seat Mount
19.	047402SP	1	Insulation, Left Cab Mount Filler
20.	047409SP	1	Insulation, ROPS Shield LH
21.	048021SP	1	Insulation, Left Side Panel
22.	047400SP	1	Insulation, Left Front Cornerpost

SEAT & SEAT BELT (175)

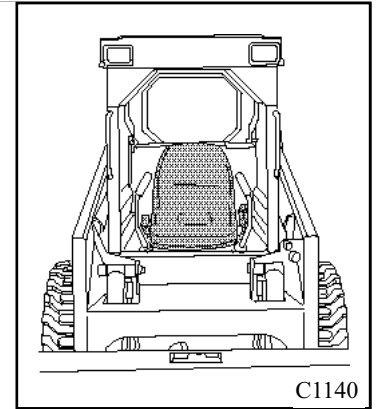
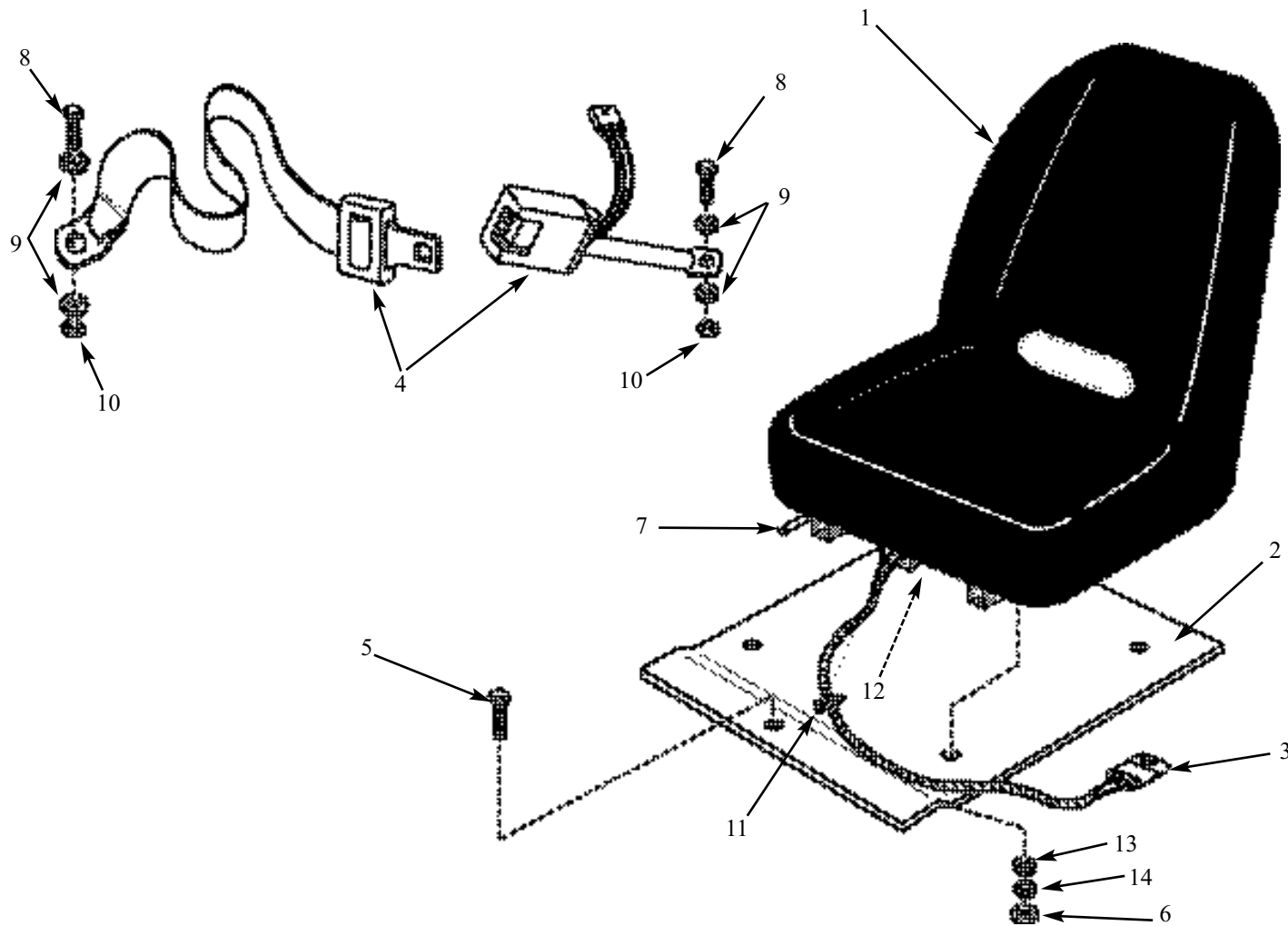
1.9 (A)



ITEM	PART	QTY	DESCRIPTION
1.	038600SP	1	Seat, Assy w/o Logo
2.	041619SP	1	Seat Mount
3.	039904SP	1	Harness, Seat Switch Wire
4.	961372SP	1	Seat Belt Assembly (2" Standard)
4.	963406SP	1	Seat Belt Assembly (3" Option)
5.	042070SP	1	Knob w/ Stud
6.	043558SP	4	Nut
7.	042931SP	1	Seat Rail Adjusters
8.	001193SP	2	Bolt
9.	001643SP	4	Flat Washer
10.	007465SP	2	Lock Nut
11.	040581SP	1	Clip
12.	038516SP	1	Seat Switch

SEAT & SEAT BELT (ProTough 1700)

1.9 (B)



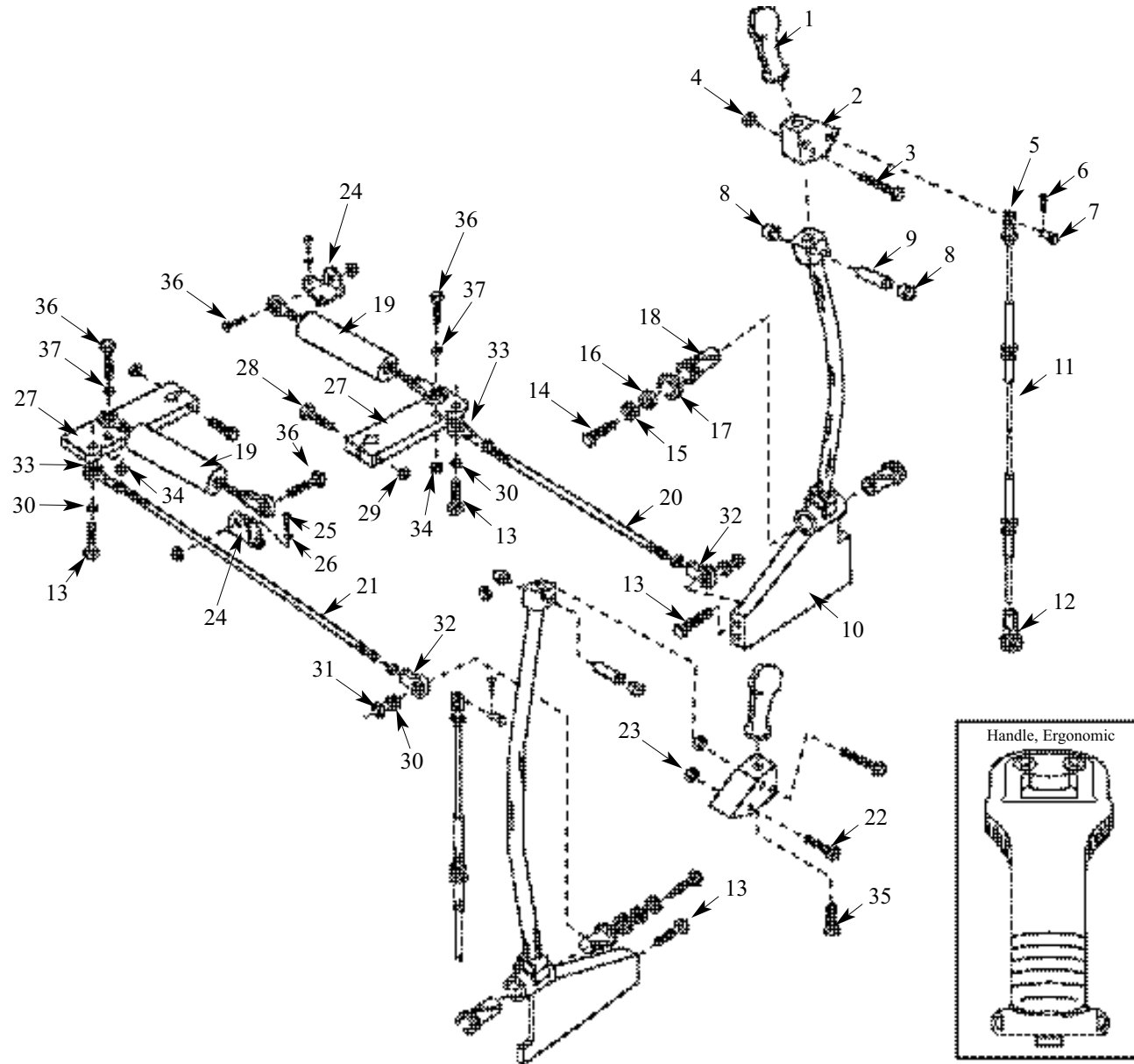
ITEM	PART	QTY	DESCRIPTION
1.	038600SP	1	Seat, Assy w/o Logo
2.	041619SP	1	Seat Mount
3.	039904SP	1	Harness, Seat Switch Wire
4.	961372SP	1	Seat Belt Assembly (2" Standard)
4.	963406SP	1	Seat Belt Assembly (3" Option)
5.	001190SP	1	Bolt, Hex
6.	016771SP	4	Nut
7.	042931SP	1	Seat Rail Adjusters
8.	001193SP	2	Bolt
9.	001643SP	4	Flat Washer
10.	007465SP	2	Lock Nut
11.	040581SP	1	Clip
12.	038516SP	1	Seat Switch
13.	001651SP	4	Washer, Flat
14.	001870SP	4	Washer, Lock

2. CONTROLS

Control Levers (175).....	2.1 (A)
Control Levers (ProTough 1700).....	2.2 (B)
Foot Pedals.....	2.2
Throttle.....	2.3
Restraint Bar	2.4

CONTROL LEVERS (175)

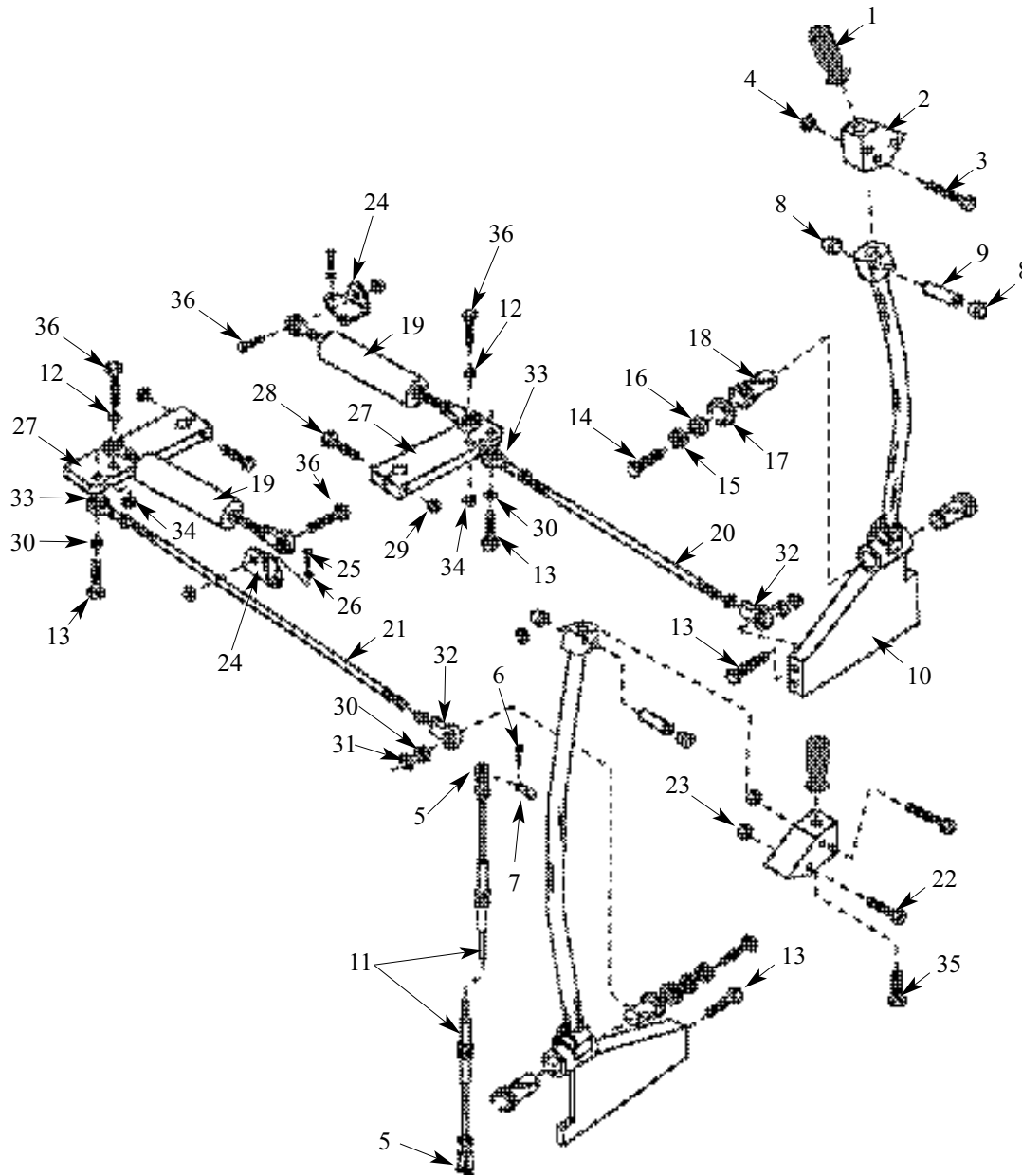
2.1 (A)



ITEM	PART	QTY	DESCRIPTION	ITEM	PART	QTY	DESCRIPTION
1.	044181SP	1	Handle, Ergonomic Plain	34.	007465SP	4	Nut, Nylok
	044182SP	1	Handle, Ergonomic w/Rocker Switch	35.	044513SP	2	Bolt, Ergonomic Handle (With Hole)
2.	962874SP	2	Lever Base Welded Assy		046353SP	2	Bolt, Hex (No Hole)
3.	025589SP	2	Bolt, Hex	36.	001672SP	4	Bolt, Hex
4.	023772SP	2	Nut, Jam, Locking	37.	021174SP	4	Washer
5.	035884SP	2	Clevis (Hand Control Loaders Only)				
6.	001630SP	2	Cotter Pin (Hand Control Loaders Only)				
7.	030044SP	2	Clevis Pin (Hand Control Loaders Only)				
8.	044348SP	4	Flange Bushing				
9.	044349SP	2	Tube, Handle Spacer				
10.	963348SP	1	Control Lever, LH				
	963349SP	1	Control Lever, RH				
11.	047426SP	2	Cable, Push-Pull (Hand Control Loaders Only)				
12.	035883SP	2	Rod End Assy (Hand Control Loaders Only)				
13.	002008SP	4	Bolt, Hex				
14.	001190SP	2	Bolt				
15.	001870SP	2	Washer, Lock				
16.	001643SP	2	Washer, Flat				
17.	029384SP	2	Washer, Fender				
18.	044347SP	4	Flange Bushing				
19.	959073SP	2	Hydroback Assy				
20.	046756SP	1	Bar, Pintle Linkage LH				
21.	044450SP	1	Bar, Pintle Linkage RH				
22.	001677SP	2	Bolt, Hex				
23.	016771SP	2	Nut, Nylok, Hex				
24.	046366SP	2	Hydroback Mount				
25.	021559SP	4	Bolt				
26.	021029SP	4	Washer				
27.	961928SP	2	Pintle Lever Assy				
28.	001677SP	2	Bolt				
29.	016771SP	2	Nut				
30.	006394SP	6	Washer, Lock				
31.	043384SP	2	Nut, Nylok				
32.	042207SP	2	Rod End Assy, Female				
33.	042208SP	2	Rod End Assy, Female				

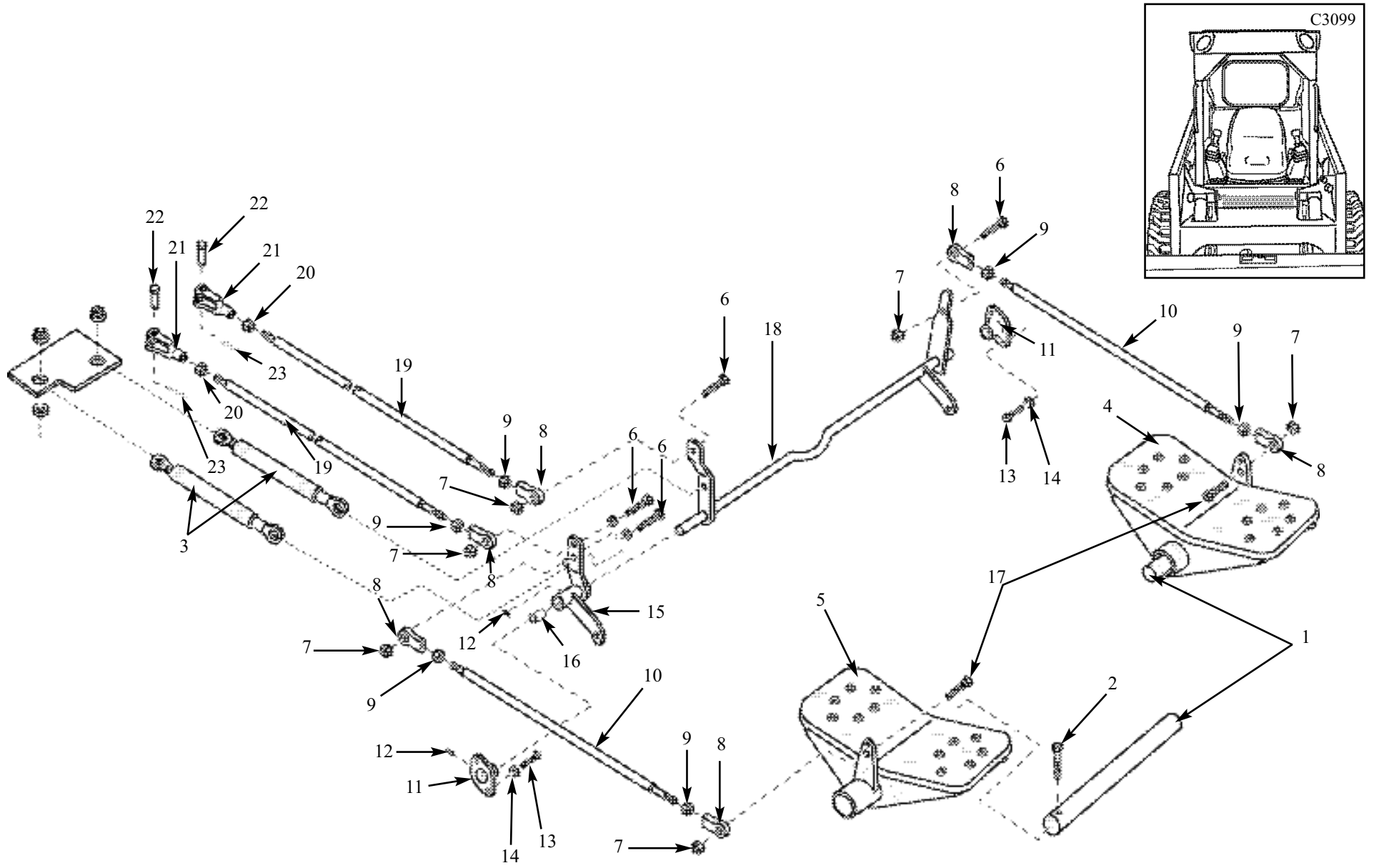
CONTROL LEVERS (ProTough 1700)

2.1 (B)



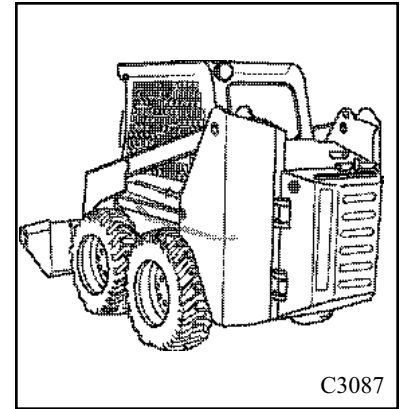
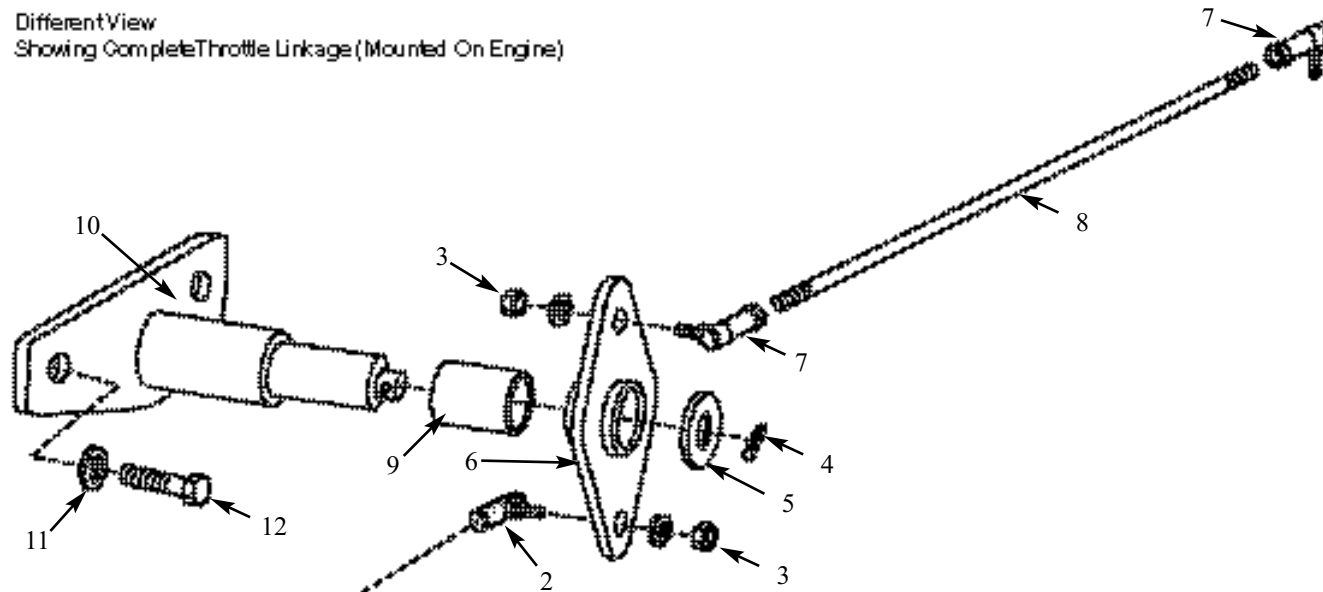
ITEM	PART	QTY	DESCRIPTION	ITEM	PART	QTY	DESCRIPTION
1.	046933SP	2	Handle, Control	34.	007465SP	4	Nut, Nylok
2.	962874SP	2	Lever Base Welded Assy	35.	046353SP	2	Bolt, Hex
3.	025589SP	2	Bolt, Hex	36.	001672SP	4	Bolt, Hex
4.	023772SP	2	Nut, Jam, Locking				
5.	035884SP	2	Clevis				
6.	001630SP	2	Cotter Pin				
7.	030044SP	2	Clevis Pin				
8.	044348SP	4	Flange Bushing				
9.	044349SP	2	Tube, Handle Spacer				
10.	963348SP	1	Control Lever, LH				
	963349SP	1	Control Lever, RH				
11.	047385SP	1	Cable, Push-Pull				
12.	021174SP	4	Washer				
13.	002008SP	4	Bolt, Hex				
14.	001190SP	2	Bolt				
15.	001870SP	2	Washer, Lock				
16.	001643SP	2	Washer, Flat				
17.	029384SP	2	Washer, Fender				
18.	044347SP	4	Flange Bushing				
19.	959073SP	2	Hydroback Assy				
20.	046756SP	1	Bar, Pintle Linkage LH				
21.	044450SP	1	Bar, Pintle Linkage RH				
22.	001677SP	2	Bolt, Hex				
23.	016771SP	2	Nut, Nylok, Hex				
24.	046366SP	2	Hydroback Mount				
25.	021559SP	4	Bolt				
26.	021029SP	4	Washer				
27.	961928SP	2	Pintle Lever Assy				
28.	001677SP	2	Bolt				
29.	016771SP	2	Nut				
30.	006394SP	10	Washer, Lock				
31.	043384SP	2	Nut, Nylok				
32.	042207SP	2	Rod End Assy, Female				
33.	042208SP	2	Rod End Assy, Female				

FOOT PEDALS

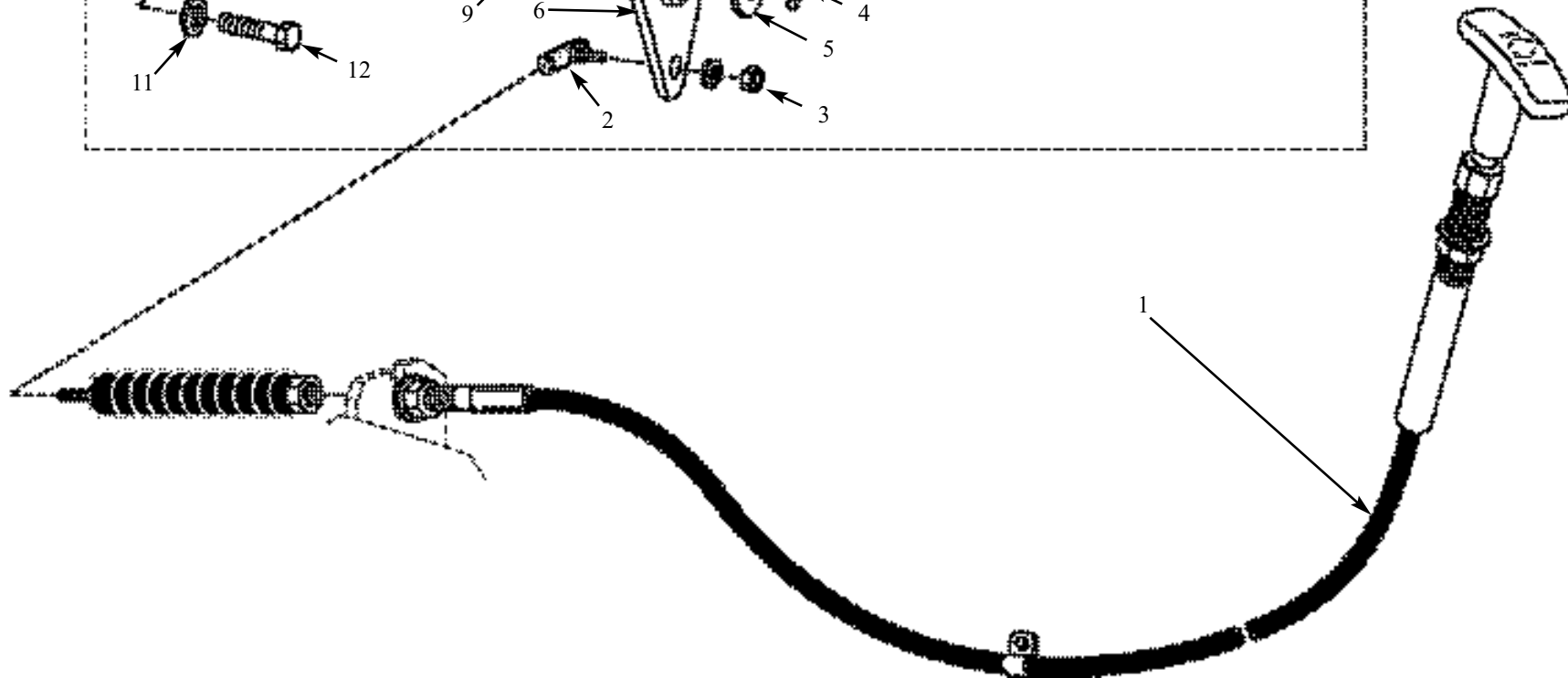


ITEM	PART	QTY	DESCRIPTION
1.	044789SP	2	Bar, Foot Pedal Shaft
2.	046106SP	2	Screw, Cap, Hex Socket Head Stainless
3.	047371SP	2	Dampener, Self-Centering, 9 lb.
4.	963832SP	1	Pedal, Lift Assy (LH)
5.	963059SP	1	Pedal, Tilt Assy (RH)
6.	002580SP	4	Bolt, Hex
7.	016771SP	6	Nut, Nylok, Hex
8.	026174SP	6	Rod End Assy
9.	001626SP	6	Nut, Hex
10.	044762SP	2	Bar, Valve Control Front
11.	044979SP	2	Bearing, Flanged, 2-Bolt
12.	002010SP	2	Grease Fitting
13.	002593SP	4	Bolt, Hex
14.	001870SP	4	Washer, Lock
15.	963900SP	1	Activator, RH Assy
16.	047760SP	2	Bearing
17.	046159SP	2	Bolt, Carriage
18.	963905SP	1	Assy, Control Cross Shaft
19.	046876SP	2	Bar, Valve Control Rear
20.	005405SP	2	Nut, Hex
21.	035884SP	2	Clevis
22.	030044SP	2	Clevis Pin
23.	001630SP	2	Cotter Pin

Different View
Showing Complete Throttle Linkage (Mounted On Engine)



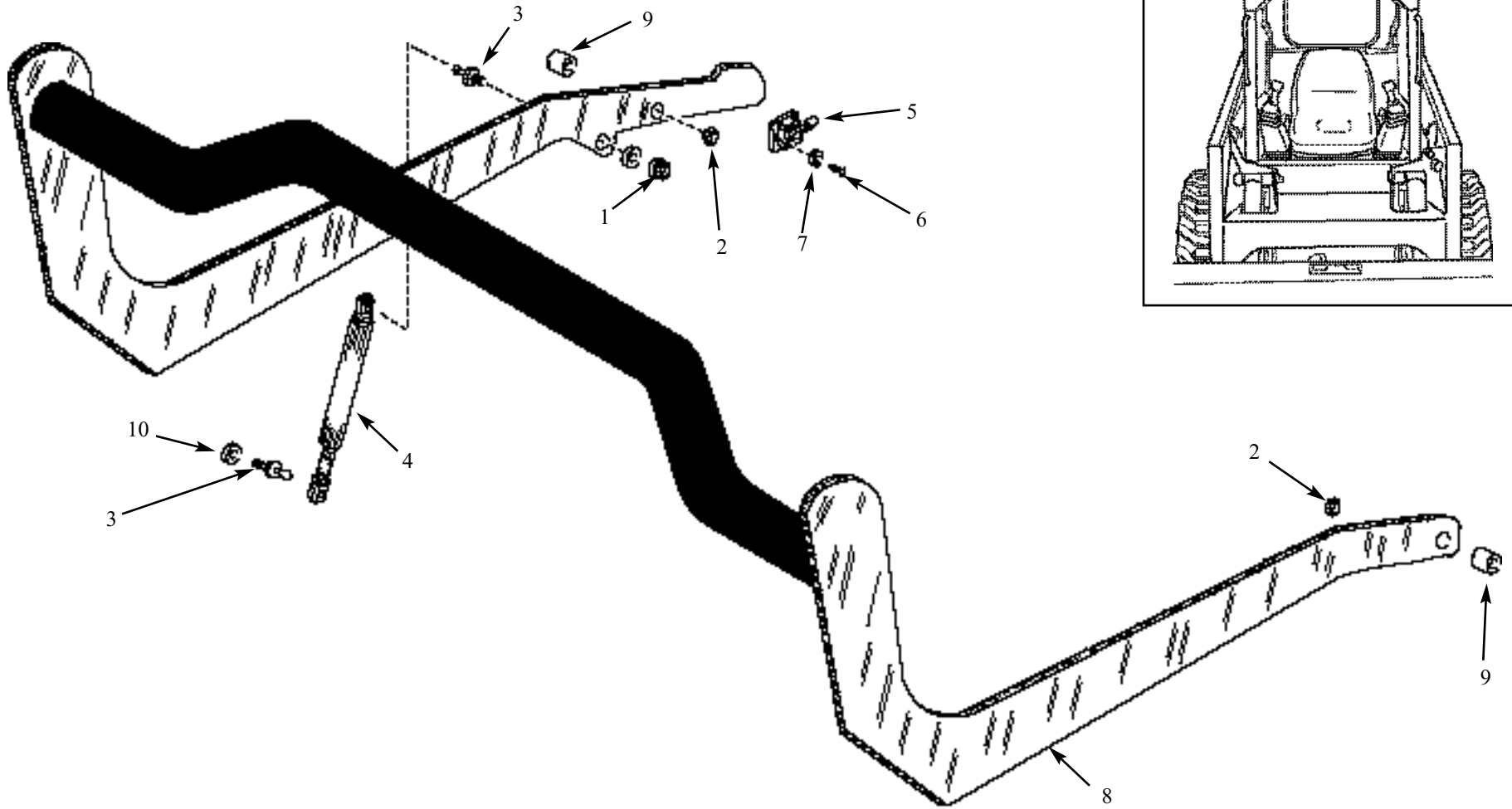
C3087



C3215

ITEM	PART	QTY	DESCRIPTION
1.	043840SP	1	Cable, Turn to Lock
2.	042047SP	1	Joint, Ball Socket
3.	005405SP	2	Nut, Hex
4.	047246SP	1	Pin, Spring
5.	030485SP	1	Washer, Flat
6.	963863SP	1	Linkage, Reverse Assy.
7.	047244SP	2	Joint, Ball Socket
8.	047217SP	1	Bar, Throttle Linkage
9.	047243SP	1	Bushing
10.	963862SP	1	Pivot, Throttle Assy.
11.	021029SP	2	Washer, Lock
12.	021559SP	2	Bolt, Hex

RESTRAINT BAR



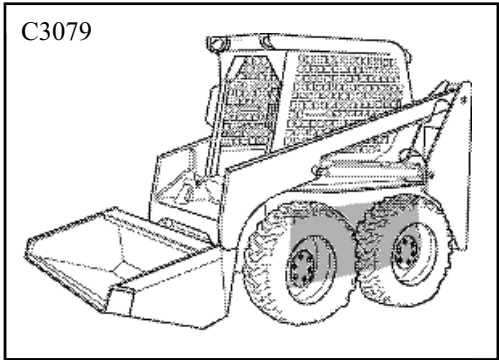
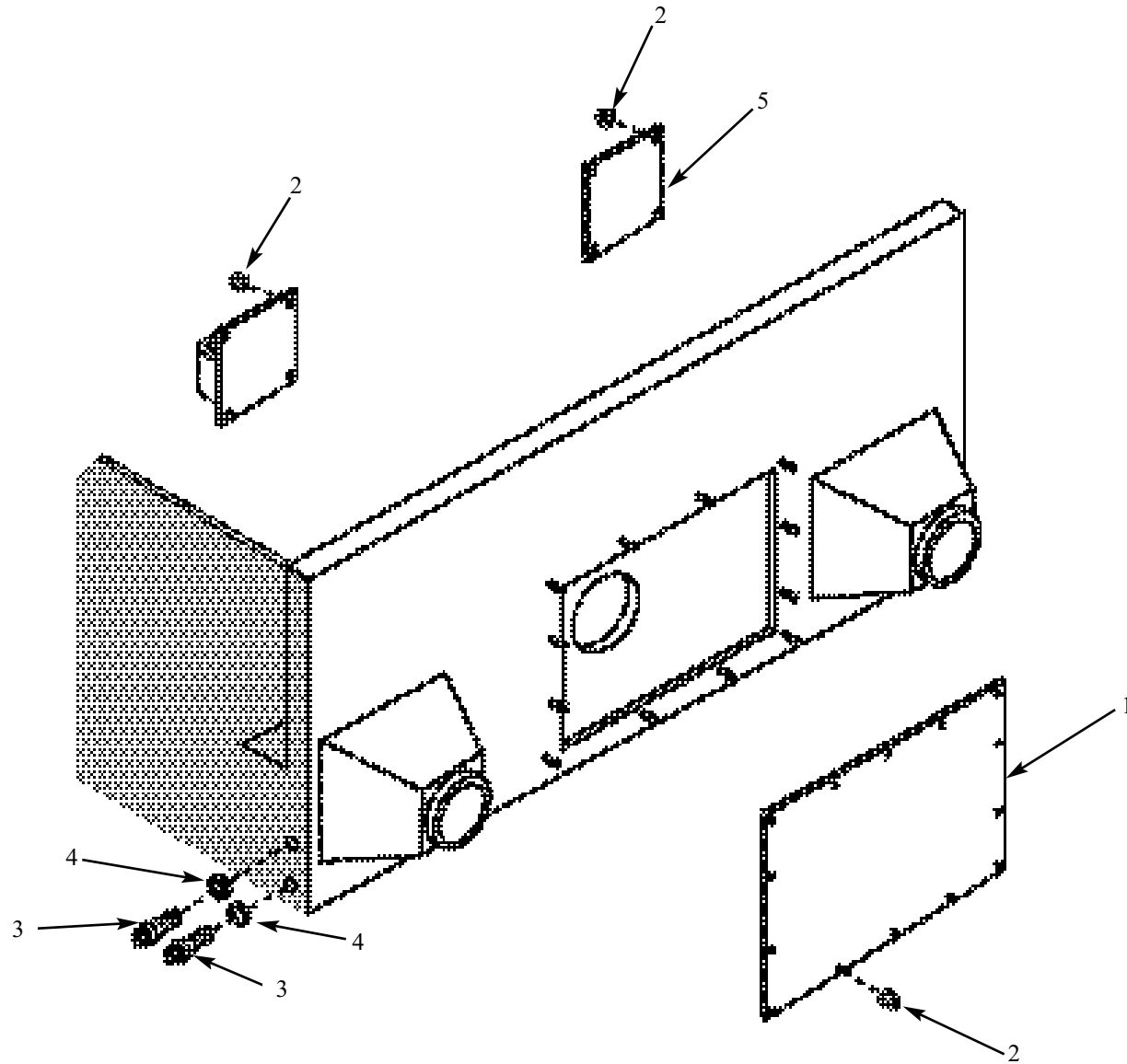
ITEM	PART	QTY	DESCRIPTION
1.	026172SP	1	Nut, Jam
2.	008613SP	2	Nut, Nylok
3.	043005SP	2	Stud, Ball
4.	043004SP	1	Gas Spring
5.	042950SP	1	Switch, Dual
6.	023194SP	2	Screw, Self Tapping
7.	002811SP	2	Washer, Lock
8.	963659SP	1	Restraint Bar Assy.
9.	040320SP	2	Spacer
10.	001870SP	1	Lockwasher

3. FINAL DRIVE TRANSMISSION

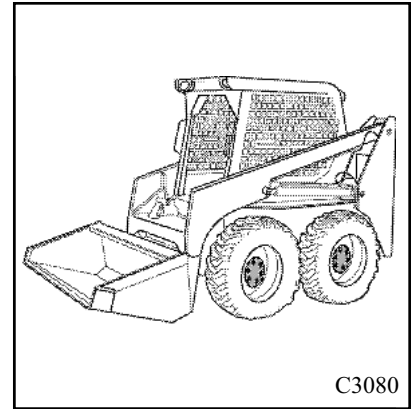
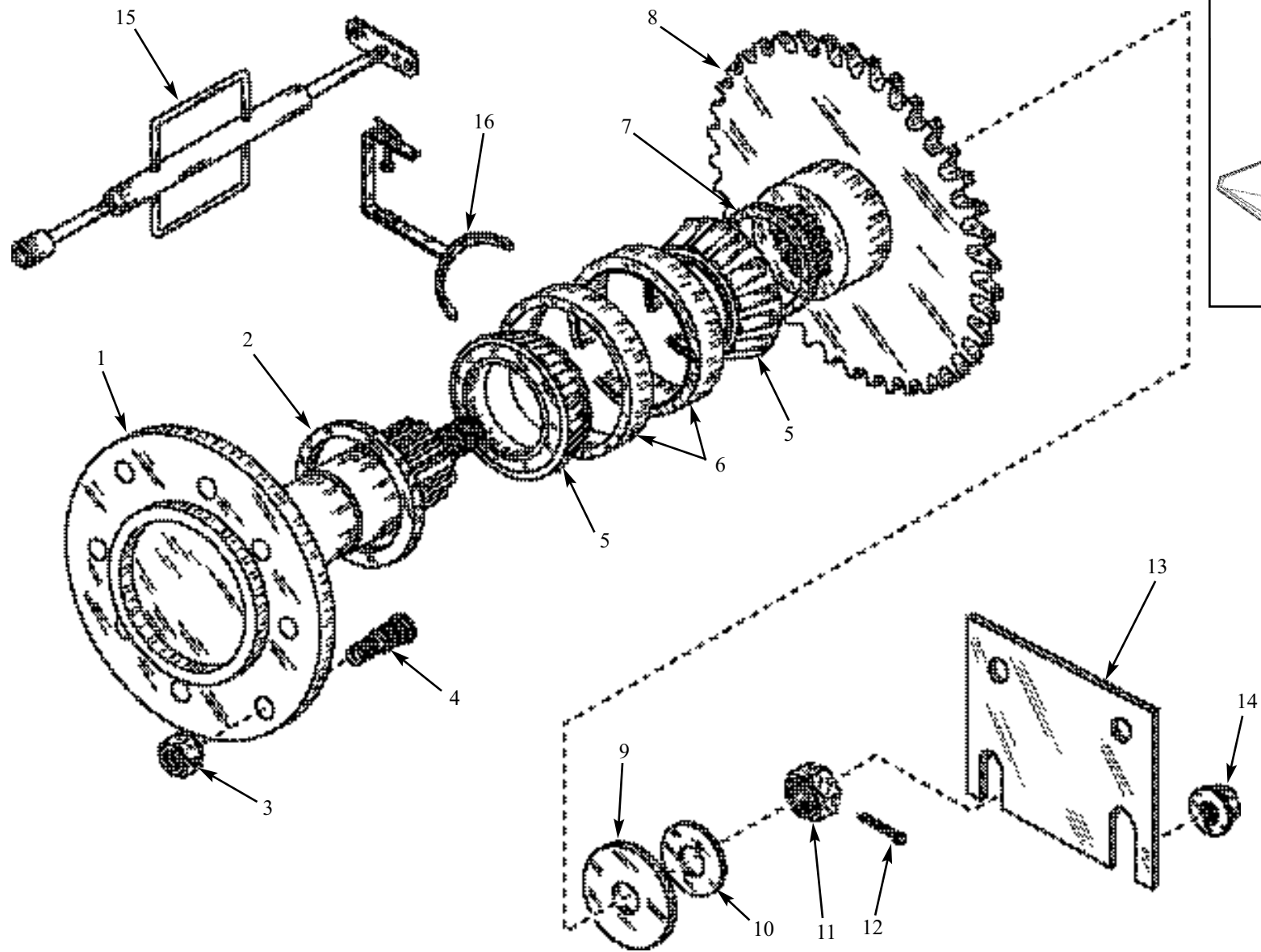
Transmission Housing	3.1
Axle Assembly (Includes Drive Chains)	3.2

TRANSMISSION HOUSING

3.1



ITEM	PART	QTY	DESCRIPTION
1.	041178SP	2	Inspection Cover
2.	043558SP	40	Nut, Hex Flange
3.	044357SP	4	Plug, Hex
4.	044358SP	4	Washer, Nylon
5.	026315SP	4	Sheet, Rear Cap



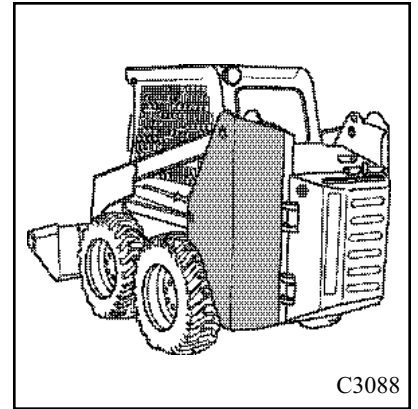
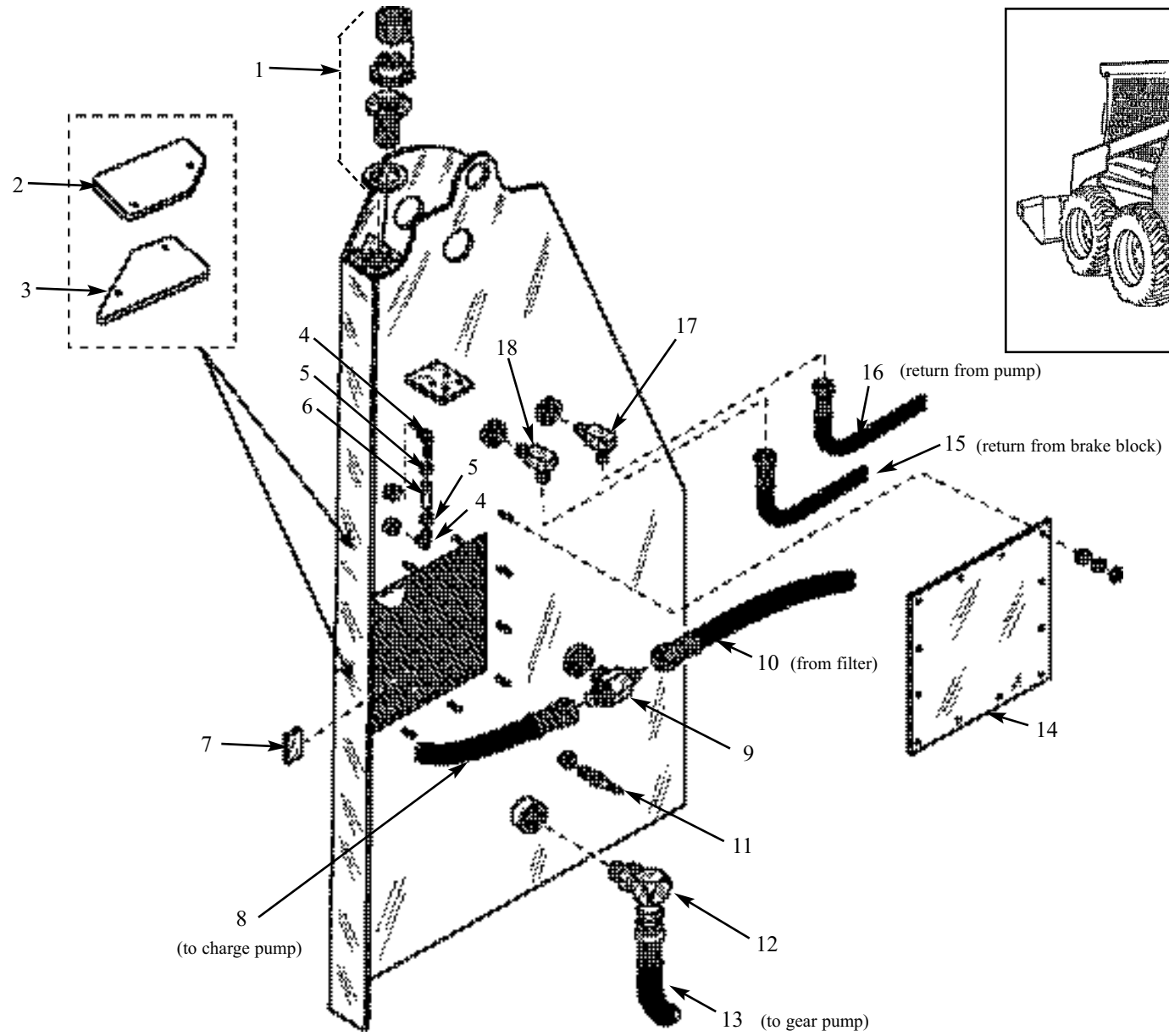
ITEM	PART	QTY	DESCRIPTION
1.	957785SP	1	Axle, Assy
2.	029029SP	1	Seal
3.	005832SP	8	Wheel nut
4.	026188SP	8	Wheel stud
5.	026509SP	2	Bearing, Cone
6.	026510SP	2	Bearing, Cup
7.	025618SP	1	Plate, Axle Spacer
8.	026042SP	1	Sprocket, 27T100
9.	029361SP	1	Plate, Axle Washer
10.	022448SP	1	Washer, Axle
11.	014877SP	1	Castle Nut
12.	001386SP	1	Cotter Pin
13.	026315SP	1	Sheet, Rear Cap
14.	043558SP	4	Nut, Hex Flange
15.	960475SP	1	Axle Puller
16.	958674SP	2	Seal Installation Tool, 2 required

Chains and Connecting Links

*	046800SP	2	Chain, 100 48P w/Connecting Link
*	046801SP	2	Chain, 100 54P w/Connecting Link

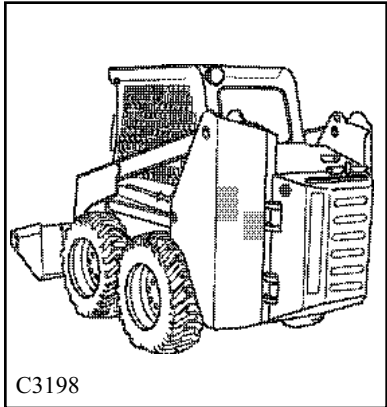
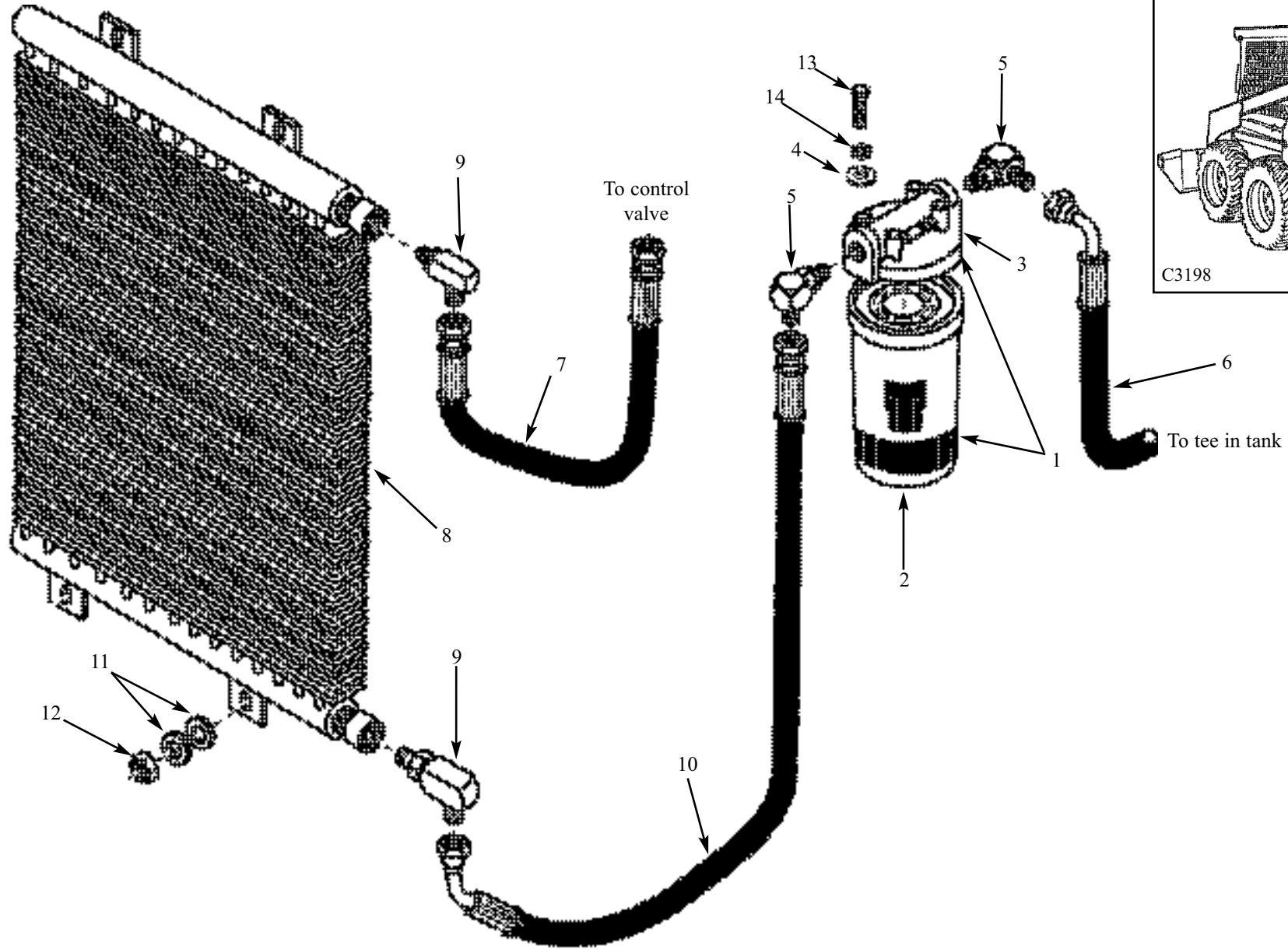
4. HYDRAULIC SYSTEM

Oil Reservoir.....	4.1
Hydraulic Oil Filter & Cooler	4.2
Boom Lift Circuit (175).....	4.3 (A)
Boom Lift Circuit (ProTough 1700)	4.3 (B)
Radiator and Fan Assembly (175)	4.4 (A)
Radiator and Fan Assembly (ProTough 1700).....	4.4 (B)
Lift Cylinder (175).....	4.5 (A)
Lift Cylinder (ProTough 1700)	4.5 (B)
Bucket Tilt Circuit (175).....	4.6 (A)
Bucket Tilt Circuit (ProTough 1700)	4.6 (B)
Tilt Cylinder.....	4.7
Auxiliary Circuit with Accumulator (175)	4.8 (A)
Auxiliary Circuit (ProTough 1700).....	4.8 (B)
Control Valve (175).....	4.9 (A)
Control Valve (ProTough 1700).....	4.9 (B)



ITEM	PART	QTY	DESCRIPTION
1.	036733SP	1	Breather, Oil Filler
2.	046774SP	1	Sheet, Top Baffle (Inside Tank)
3.	046775SP	1	Sheet, Bottom Baffle (Inside Tank)
*	040873SP	4	Bolts for Baffles
4.	034903SP	2	Elbow
5.	034919SP	2	Clamp, Circle Two Ear
6.	000698SP	1	Tube, Clear Vinyl
7.	032478SP	1	Magnet
8.	963853SP	1	Hose, Hydraulic (to charge pump)
9.	036849SP	1	Tee
10.	963851SP	1	Hose, Hydraulic (filter to tank)
11.	037206SP	1	Temperature Sender
12.	038652SP	1	Elbow, 90 Degree
13.	963847SP	1	Hose, Hydraulic (to gear pump)
14.	020232SP	1	Cover, Inspection Hole
15.	963854SP	1	Hose, Hydraulic (return from brake block)
16.	963852SP	1	Hose, Hydraulic (return from pump)
17.	019235SP	1	Elbow, 90 Degree
18.	021701SP	1	Elbow, 90 Degree

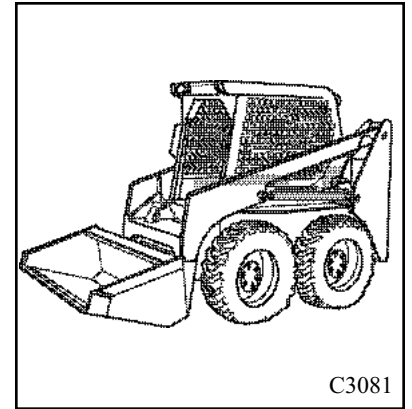
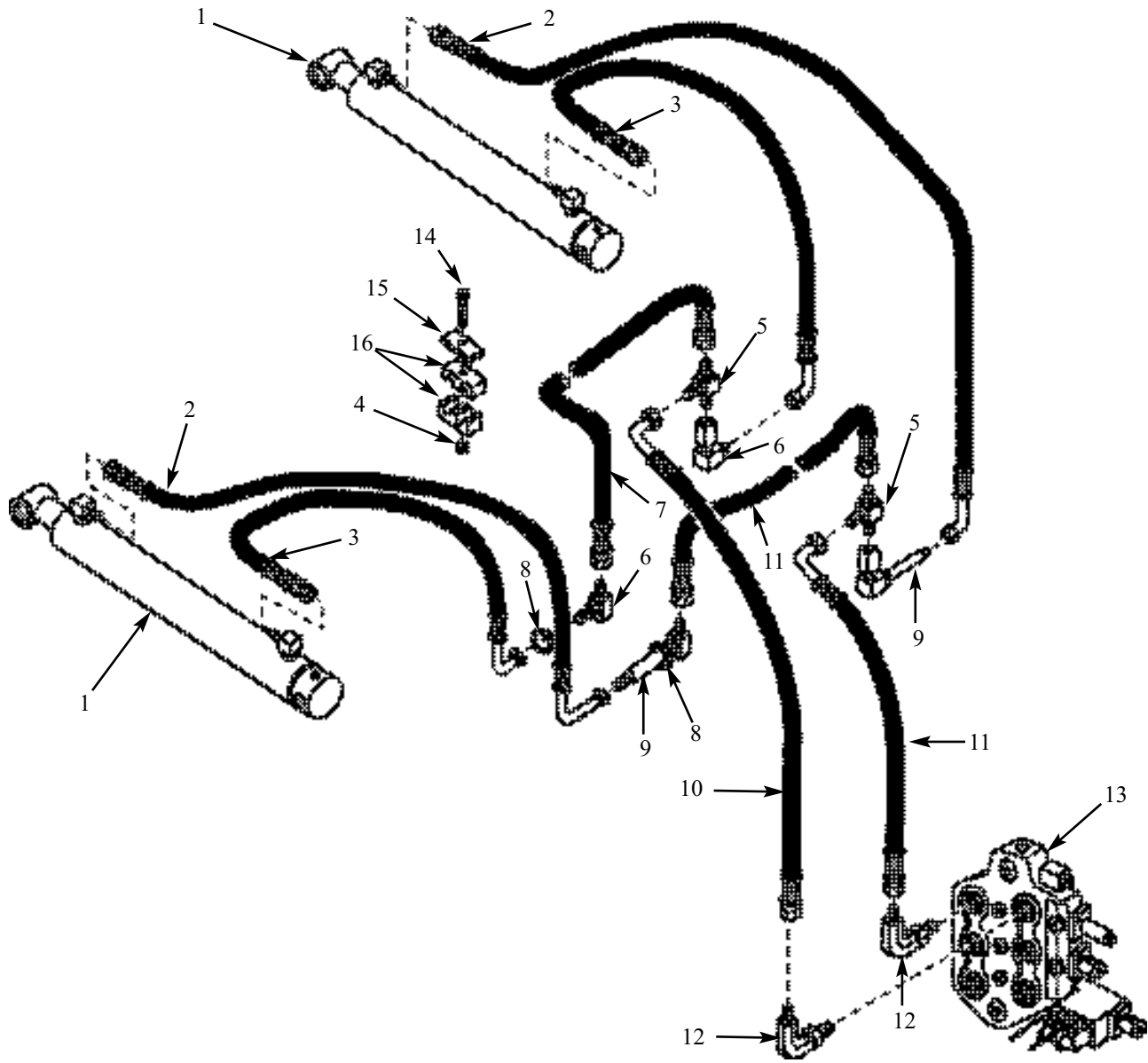
HYDRAULIC OIL FILTER & COOLER



ITEM	PART	QTY	DESCRIPTION
1.	042556SP	1	Filter, Hyd. Assy (Includes #'s 2 & 3)
2.	035243SP	1	Filter Element
3.	042557SP	1	Head, Filter Hyd. Assy
4.	001643SP	4	Washer, Flat
5.	014866SP	2	Elbow
6.	963851SP	1	Hose
7.	963849SP	1	Hose
8.	046146SP	1	Oil Cooler
9.	031670SP	2	Elbow
10.	963848SP	1	Hose
11.	001651SP	8	Washer, Flat
12.	016771SP	4	Nut
13.	001193SP	4	Bolt
14.	001642SP	4	Washer, Lock

BOOM LIFT CIRCUIT (175)

4.3 (A)



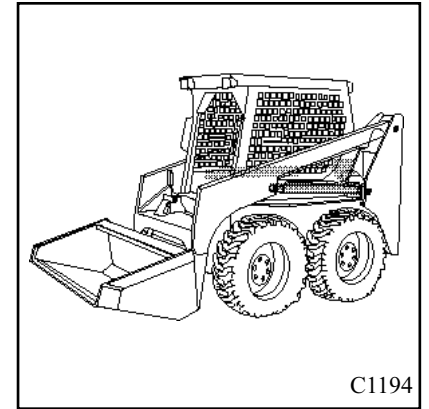
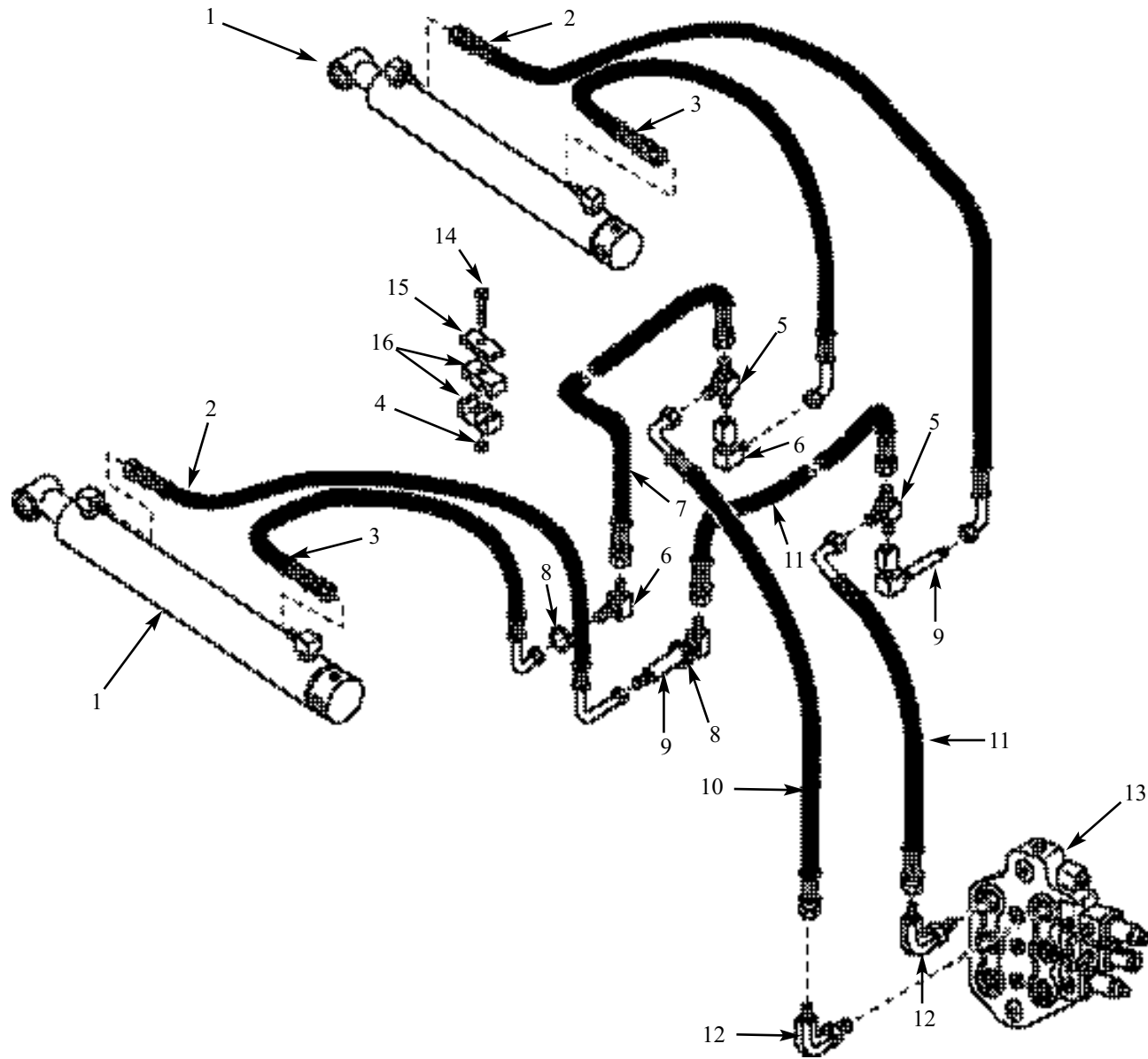
C3081

C3319

ITEM	PART	QTY	DESCRIPTION
1.	***	2	Lift cylinder, see section 4.5
2.	959630SP	2	Hose, lift cylinder front port to rear bulkhead
3.	959631SP	2	Hose, lift cylinder rear port to front bulkhead
4.	016771SP	2	Lock nut
5.	042322SP	2	Tee
6.	033831SP	2	Connector, Bulkhead 90° w/Nut
7.	962517SP	1	Hose, Bulkhead to Bulkhead
8.	043903SP	4	Washer, Lock Internal Tooth
9.	036336SP	2	Connector, Bulkhead 90°
10.	962646SP	2	Hose, valve rear port to front bulkhead
11.	962518SP	1	Hose, Bulkhead to Bulkhead Rear
12.	019232SP	2	Elbow, 90°
13.	***	1	Control valve, see section 4.9
14.	042635SP	2	Bolt
15.	038472SP	2	Cover plate
16.	043033SP	4	Clamp

BOOM LIFT CIRCUIT (ProTough 1700)

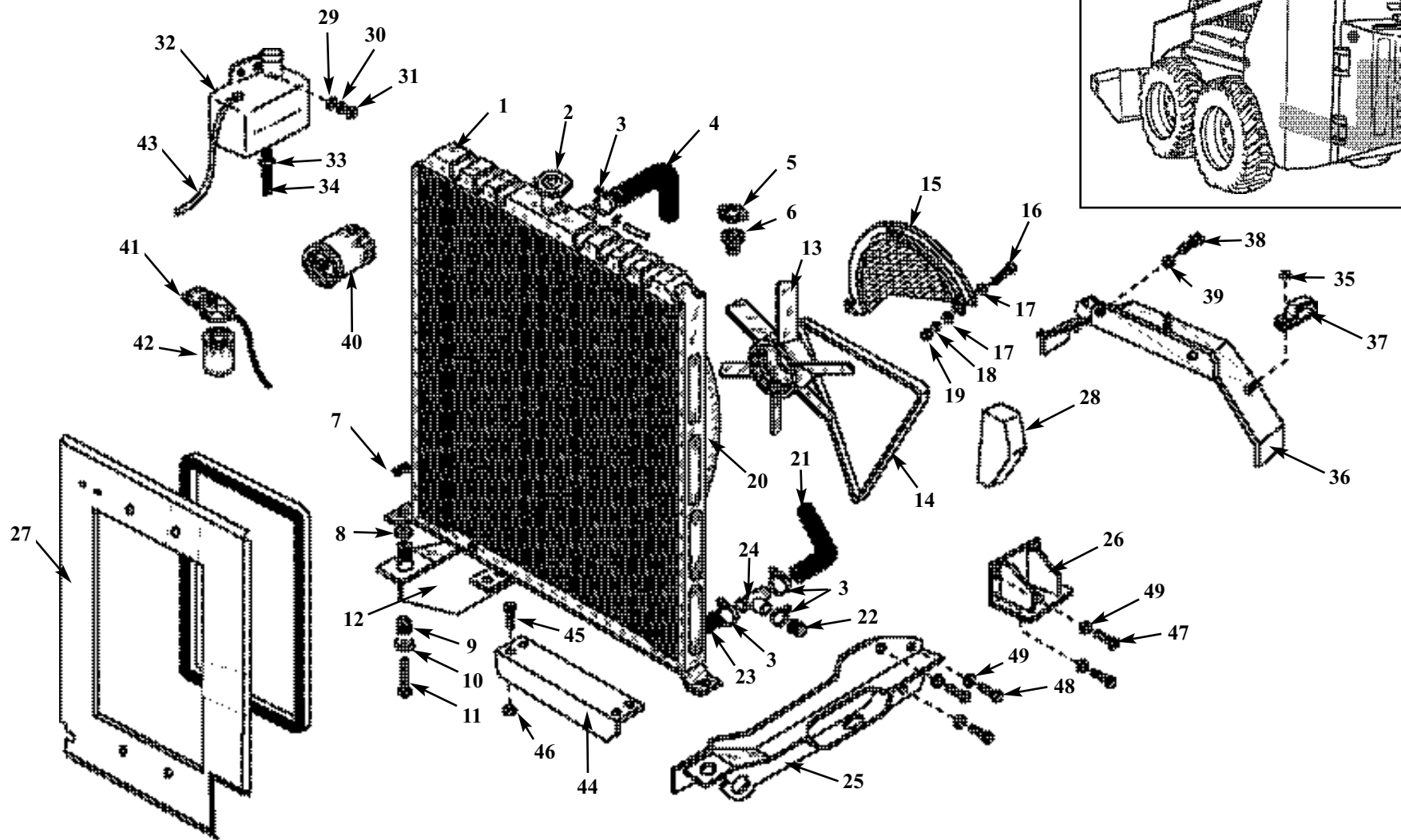
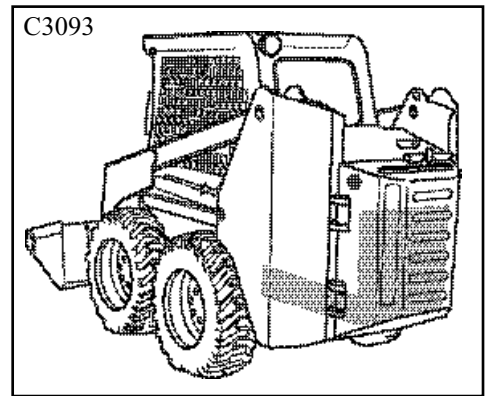
4.3 (B)



ITEM	PART	QTY	DESCRIPTION
1.	***	2	Lift cylinder, see section 4.5
2.	959630SP	2	Hose, lift cylinder front port to rear bulkhead
3.	959631SP	2	Hose, lift cylinder rear port to front bulkhead
4.	016771SP	2	Lock nut
5.	042322SP	2	Tee
6.	033831SP	2	Connector, Bulkhead 90° w/Nut
7.	962517SP	1	Hose, Bulkhead to Bulkhead
8.	043903SP	4	Washer, Lock Internal Tooth
9.	036336SP	2	Connector, Bulkhead 90°
10.	962646SP	2	Hose, valve rear port to front bulkhead
11.	962518SP	1	Hose, Bulkhead to Bulkhead Rear
12.	019232SP	2	Elbow, 90°
13.	***	1	Control valve, see section 4.9
14.	001676SP	2	Bolt
15.	042076SP	2	Plate, Cover Twin
16.	042061SP	4	Clamp

RADIATOR AND FAN ASSEMBLY (175)

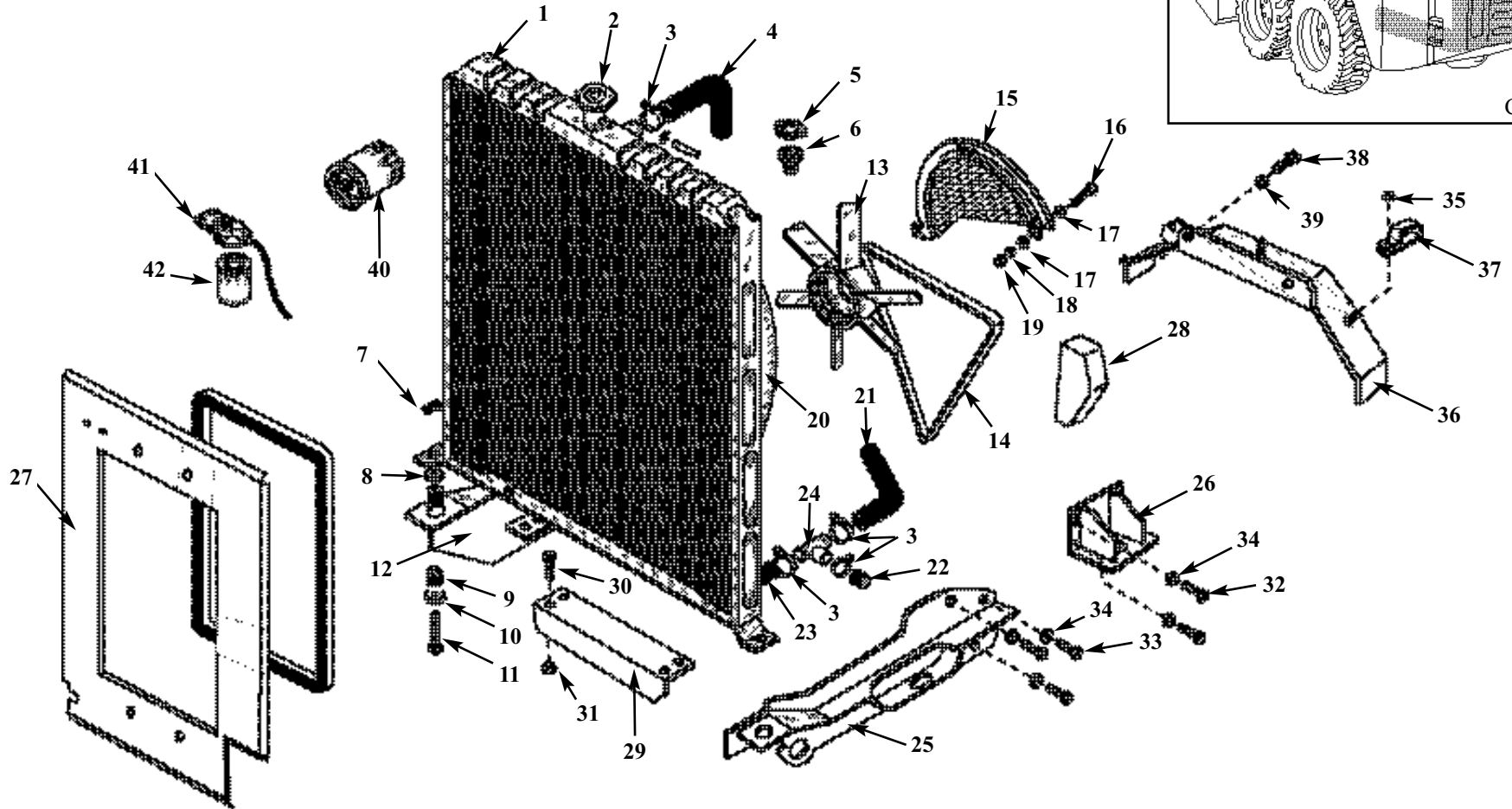
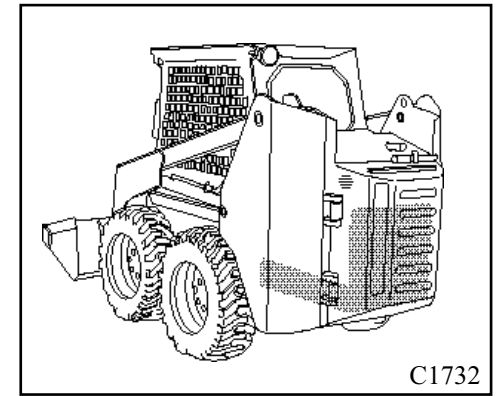
4.4 (A)



ITEM	PART	QTY	DESCRIPTION
1.	047982SP	1	Radiator
2.	019572SP	1	Radiator Cap
3.	018748SP	6	Clamp
4.	026129SP	1	Hose, Radiator Top
5.	047733SP	1	Gasket, Thermostat
6.	033149SP	1	Thermostat, Kubota
7.	019573SP	1	Snap Pin
8.	044746SP	4	Washer, Overload
9.	044744SP	4	Isolator, Engine
10.	044745SP	4	Washer, Rebound
11.	006816SP	4	Bolt, Hex
12.	963764SP	1	Mount, Engine Front LH Assy.
13.	047737SP	1	Fan, Pusher
14.	035568SP	1	Fan Belt
15.	047984SP	1	Guard, Fan
16.	002663SP	4	Bolt
17.	001650SP	10	Washer, Flat
18.	002279SP	4	Washer, Lock
19.	001350SP	4	Nut
20.	047985SP	1	Shroud, Fan
21.	026134SP	1	Hose, Radiator Bottom
22.	019583SP	1	Cap
23.	035774SP	1	Lower Hose
24.	035772SP	1	Tee Pipe
25.	963763SP	1	Mount, Engine, Front RH Assy.
26.	963765SP	2	Mount, Engine Rear Assy.
27.	046971SP	1	Rad Baffle
28.	047983SP	1	Aternator Belt Guard
29.	001651SP	1	Washer, Flat
30.	001870SP	9	Washer, Lock
31.	001191SP	9	Nut
32.	042737SP	1	Reservoir, Coolant
33.	034919SP	1	Clamp, Circle Two Ear
34.	044184SP	1	Hose, 5/16 Black Neoprene
35.	043558SP	3	Serrated Flange Nut
36.	962371SP	1	Shield, Flywheel Assy.
37.	041024SP	1	Loom Clamp
38.	021557SP	2	Bolt, Hex
39.	021558SP	2	Washer, Lock
40.	033023SP	1	Filter, Engine Oil
41.	033112SP	1	Pump, Fuel Assy.
42.	042561SP	1	Filter, Fuel
43.	000822SP	1	Tube, 3/16" Clear Vinyl
44.	046987SP	1	Plate, Engine Mount Brace
45.	001190SP	4	Bolt, Hex
46.	016771SP	4	Nut, Nylok, Hex
47.	046918SP	8	Socket Screw
48.	021557SP	7	Bolt
49.	021558SP	15	Washer, Lock

RADIATOR AND FAN ASSEMBLY (ProTough 1700)

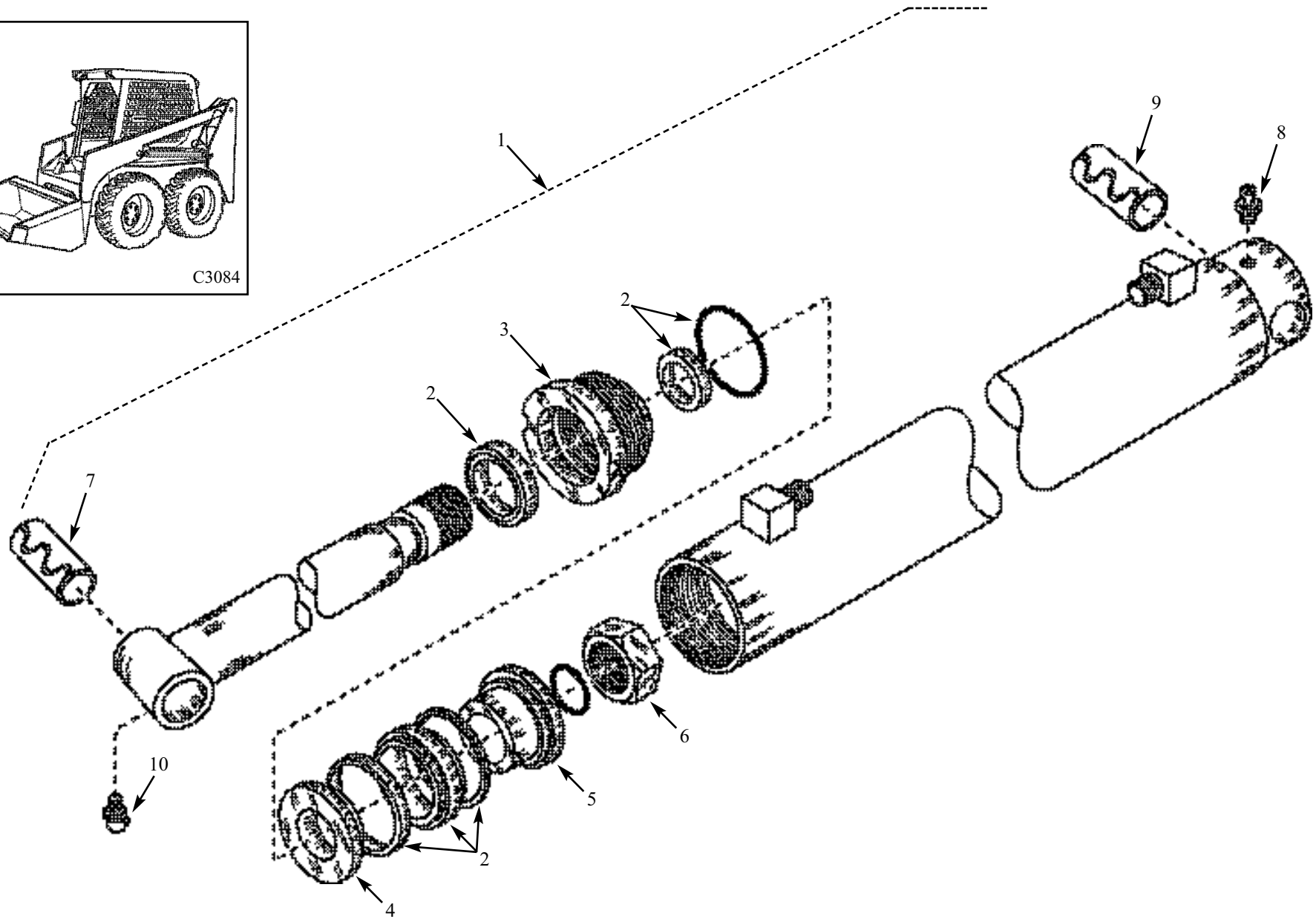
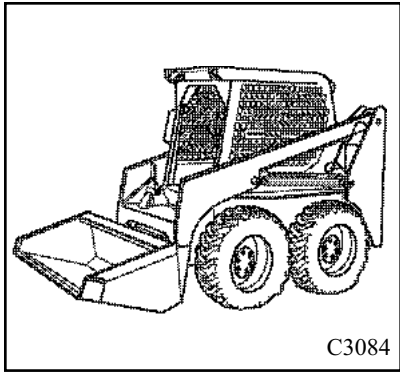
4.4 (B)



ITEM	PART	QTY	DESCRIPTION
1.	036021SP	1	Radiator
2.	019572SP	1	Radiator Cap
3.	018748SP	6	Clamp
4.	022204SP	1	Hose, Radiator Top
5.	047733SP	1	Gasket, Thermostat
6.	033149SP	1	Thermostat, Kubota
7.	019573SP	1	Snap Pin
8.	044746SP	4	Washer, Overload
9.	044744SP	4	Isolator, Engine
10.	044745SP	4	Washer, Rebound
11.	006816SP	4	Bolt, Hex
12.	963764SP	1	Mount, Engine Front LH Assy.
13.	039730SP	1	Fan, Pusher
14.	035568SP	1	Fan Belt
15.	039728SP	1	Guard, Fan
16.	002663SP	4	Bolt
17.	001650SP	10	Washer, Flat
18.	002279SP	4	Washer, Lock
19.	001350SP	4	Nut
20.	035765SP	1	Shroud, Fan
21.	035773SP	1	Hose, Water
22.	019583SP	1	Cap
23.	035774SP	1	Hose, Water
24.	035772SP	1	Tee Pipe
25.	963763SP	1	Mount, Engine, Front RH Assy.
26.	963765SP	2	Mount, Engine Rear Assy.
27.	047065SP	1	Rad Baffle
28.	042940SP	1	Aternator Belt Guard
29.	046987SP	1	Plate, Engine Mount Brace
30.	001190SP	4	Bolt, Hex
31.	016771SP	4	Nut, Nylok, Hex
32.	046918SP	8	Socket Screw
33.	021557SP	7	Bolt
34.	021558SP	15	Washer, Lock
35.	043558SP	3	Serrated Flange Nut
36.	962371SP	1	Shield, Flywheel Assy.
37.	041024SP	1	Cable Clip
38.	021557SP	2	Bolt, Hex
39.	021558SP	2	Washer, Lock
40.	033023SP	1	Filter, Engine Oil
41.	033112SP	1	Pump, Fuel Assy.
42.	042561SP	1	Filter, Fuel

LIFT CYLINDER (175)

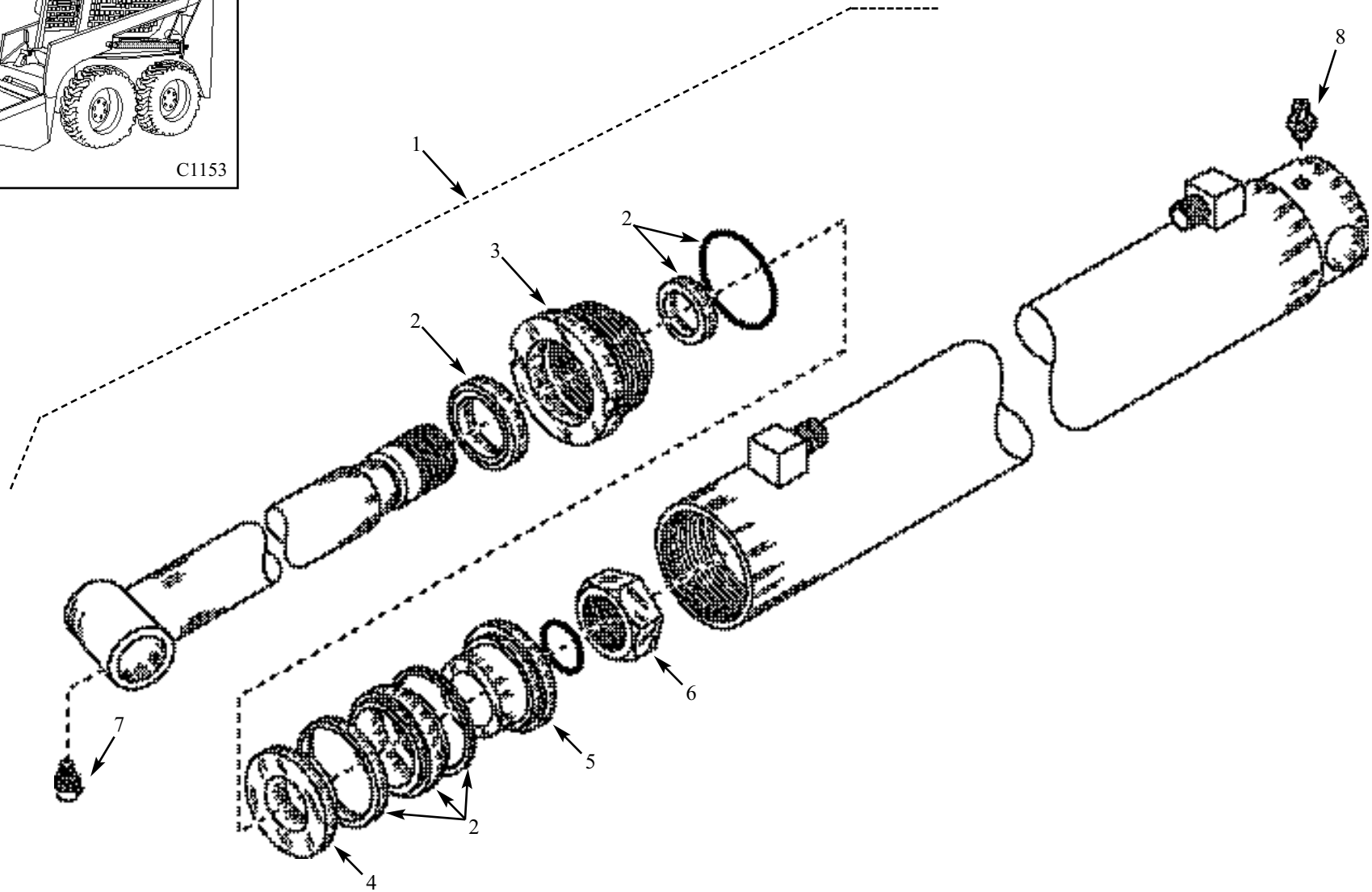
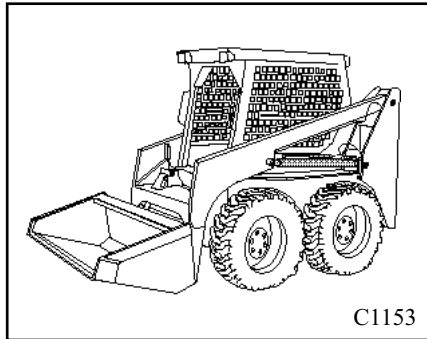
4.5 (A)



ITEM	PART	QTY	DESCRIPTION
1.	037792SP	2	Cylinder
2.	029875SP	1	Kit, Seal, Hydraulic Cylinder
3.	029860SP	1	Cap, Cylinder End
4.	029979SP	1	Piston, Part B
5.	029978SP	1	Piston, Part A
6.	006297SP	1	Nut, Cyl. Hex Shaft
7.	038589SP	1	Bushing, Hardened
8.	002010SP	1	Grease Fitting, Straight
9.	047566SP	1	Bushing, Hardened
10.	035451SP	1	Grease Fitting, 90°

LIFT CYLINDER (ProTough 1700)

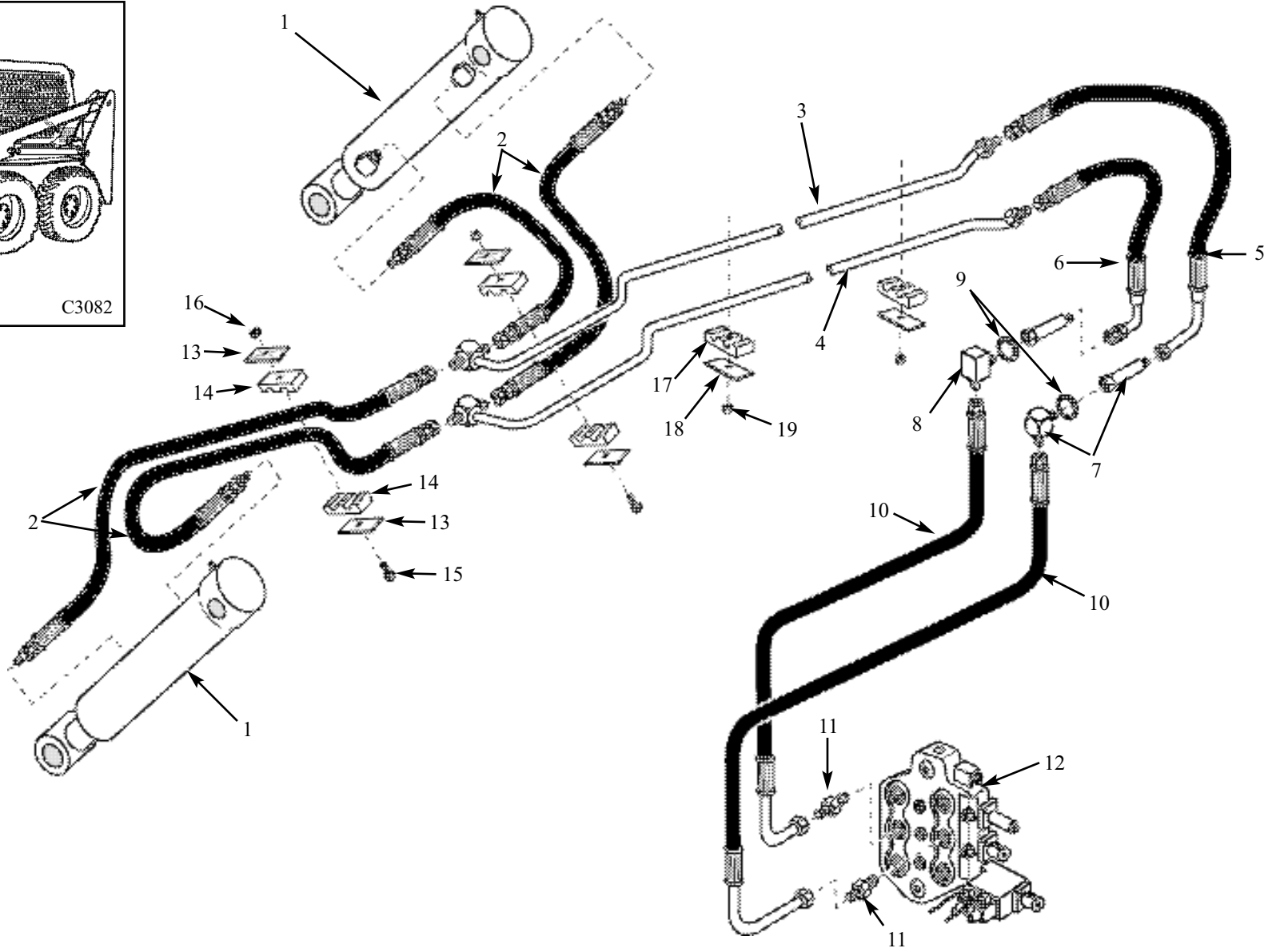
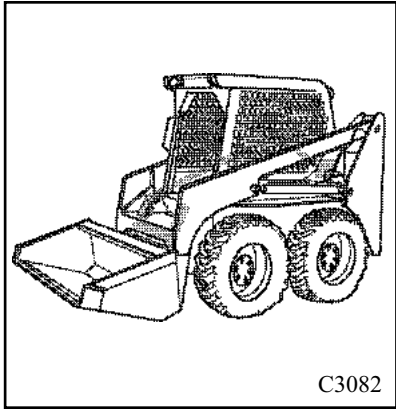
4.5 (B)



ITEM	PART	QTY	DESCRIPTION
1.	047474SP	2	Cylinder
2.	029875SP	1	Kit, Seal, Hydraulic Cylinder
3.	029860SP	1	Cap, Cylinder End
4.	029979SP	1	Piston, Part B
5.	029978SP	1	Piston, Part A
6.	006297SP	1	Nut, Cyl. Hex Shaft
7.	035451SP	1	Grease Fitting, 90°
8.	002010SP	1	Grease Fitting, Straight

BUCKET TILT CIRCUIT (175)

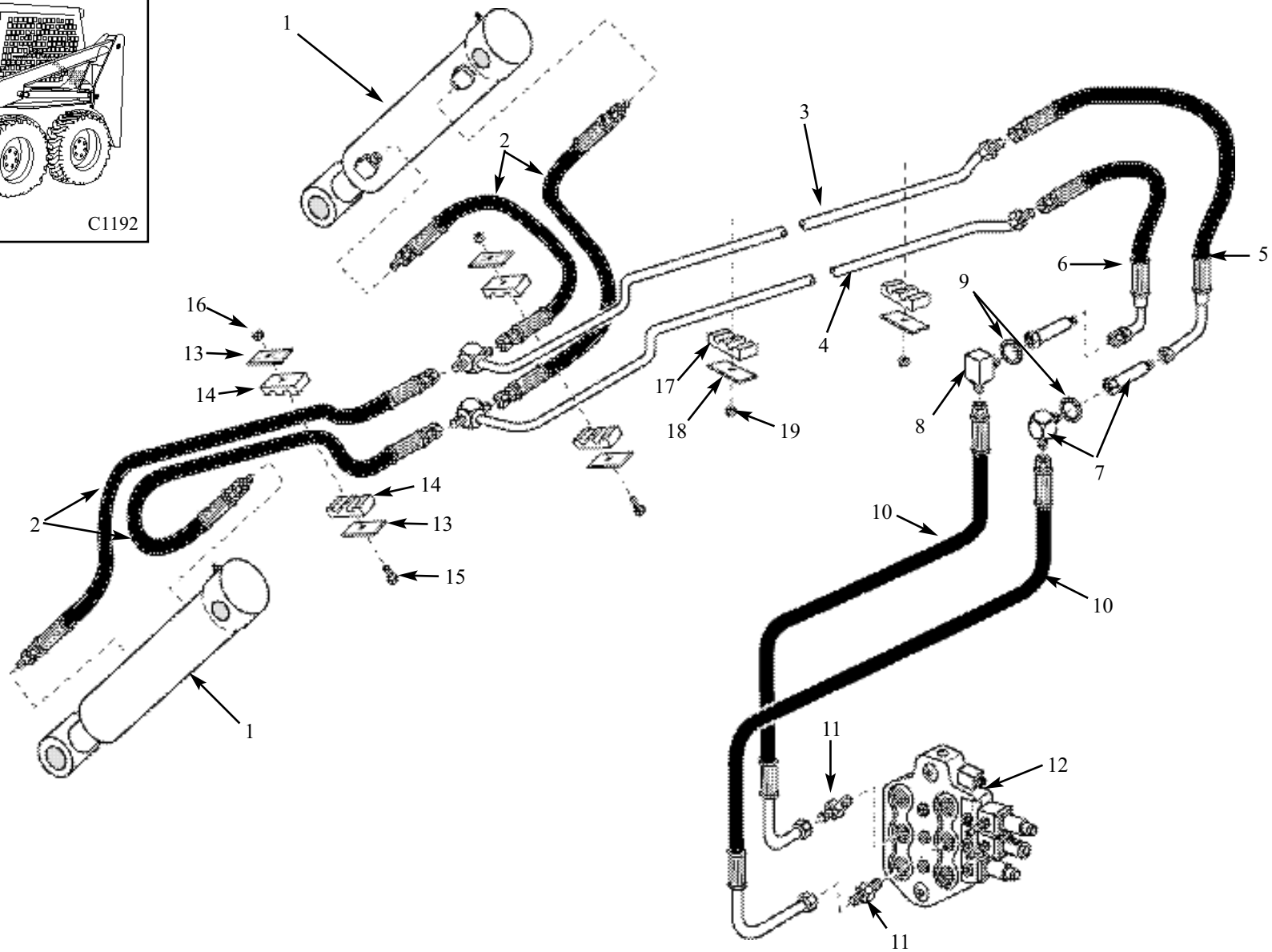
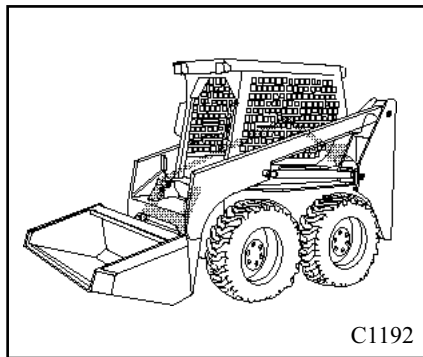
4.6 (A)



ITEM	PART	QTY	DESCRIPTION
1.	*	2	Tilt Cylinder, See Section 4.7
2.	961499SP	4	Hose, Hydraulic
3.	042090SP	1	Tube, Hydraulic 5/8" (Tilt Tube, Outside)
4.	042091SP	1	Tube, Hydraulic 5/8" (Tilt Tube, Inside)
5.	961393SP	1	Hose, Hydraulic
6.	963231SP	1	Hose, Hydraulic
7.	036336SP	1	Connector, Bulkhead 90 Degree
8.	033831SP	1	Connector, Bulkhead 90 Degree (w/Nut)
9.	043903SP	2	Washer, Lock Int. Tooth
10.	962649SP	2	Hose, Hydraulic
11.	019226SP	2	Connector
12.	*	1	Control Valve, See Section 4.9
13.	042076SP	4	Plate, Cover Twin
14.	042061SP	4	Clamp, Twin 3/4" Tube
15.	001675SP	2	Bolt, Hex
16.	016771SP	2	Nut, Nylok, Hex
17.	038303SP	2	Clamp, Tube Twin 5/8"
18.	038472SP	2	Plate, Cover Twin
19.	007465SP	2	Nut, Nylok

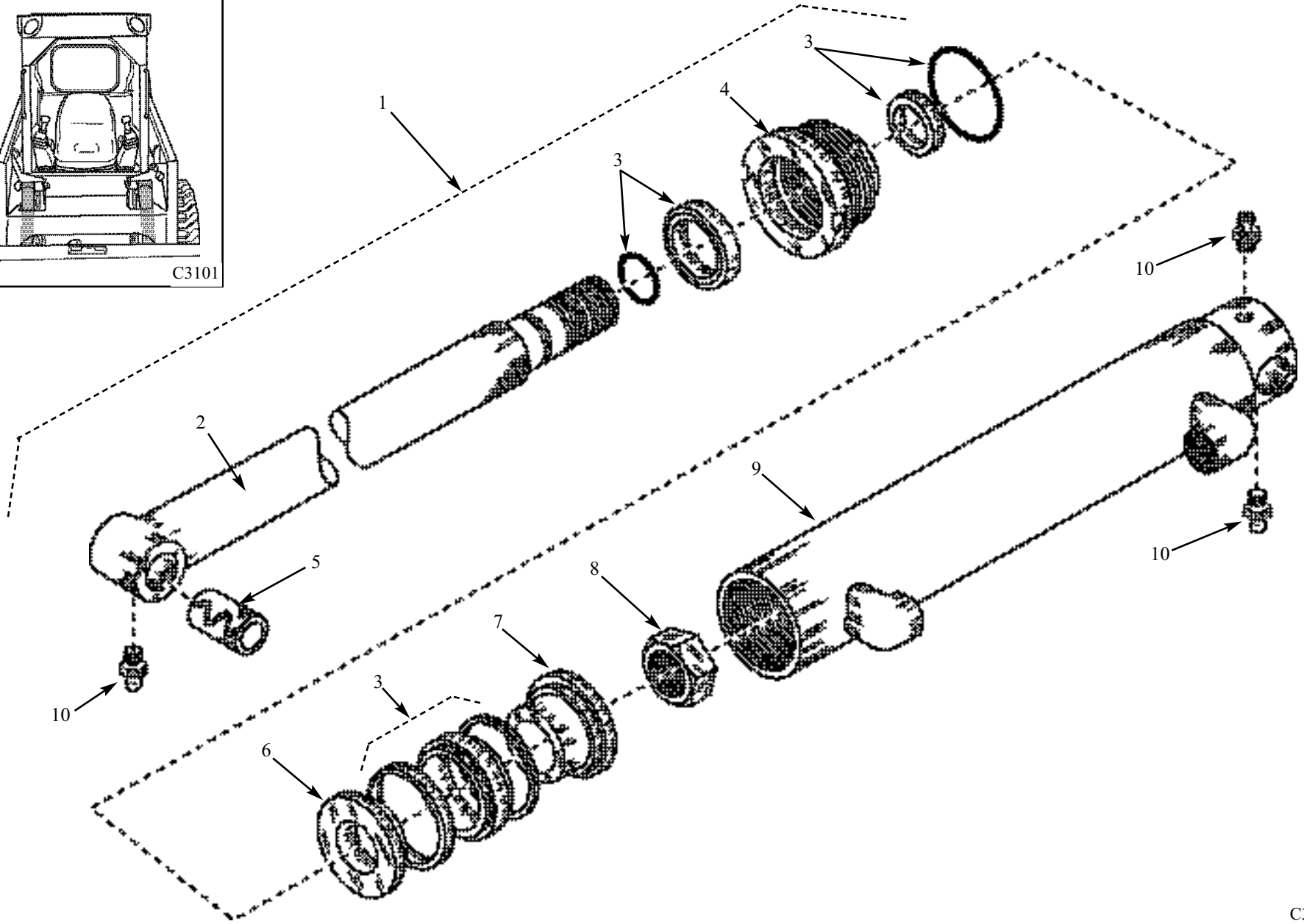
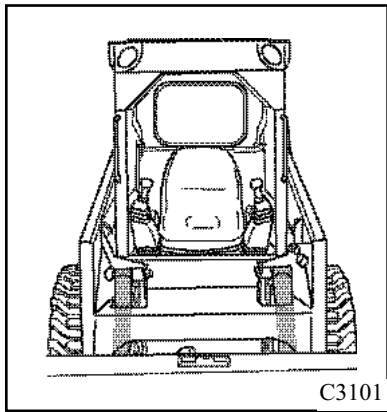
BUCKET TILT CIRCUIT (ProTough 1700)

4.6 (B)



ITEM	PART	QTY	DESCRIPTION
1.	*	2	Tilt Cylinder, See Section 4.7
2.	961499SP	4	Hose, Hydraulic
3.	042090SP	1	Tube, Hydraulic 5/8" (Tilt Tube, Outside)
4.	042091SP	1	Tube, Hydraulic 5/8" (Tilt Tube, Inside)
5.	961393SP	1	Hose, Hydraulic
6.	963231SP	1	Hose, Hydraulic
7.	036336SP	1	Connector, Bulkhead 90 Degree
8.	033831SP	1	Connector, Bulkhead 90 Degree (w/Nut)
9.	043903SP	2	Washer, Lock Internal Tooth
10.	962649SP	2	Hose, Hydraulic
11.	019226SP	2	Connector
12.	*	1	Control Valve, See Section 4.9
13.	042076SP	4	Plate, Cover Twin
14.	042061SP	4	Clamp, Twin 3/4" Tube
15.	001675SP	2	Bolt, Hex
16.	016771SP	2	Nut, Nylok, Hex
17.	038303SP	2	Clamp, Tube Twin 5/8"
18.	038472SP	2	Plate, Cover Twin
19.	007465SP	2	Nut, Nylok

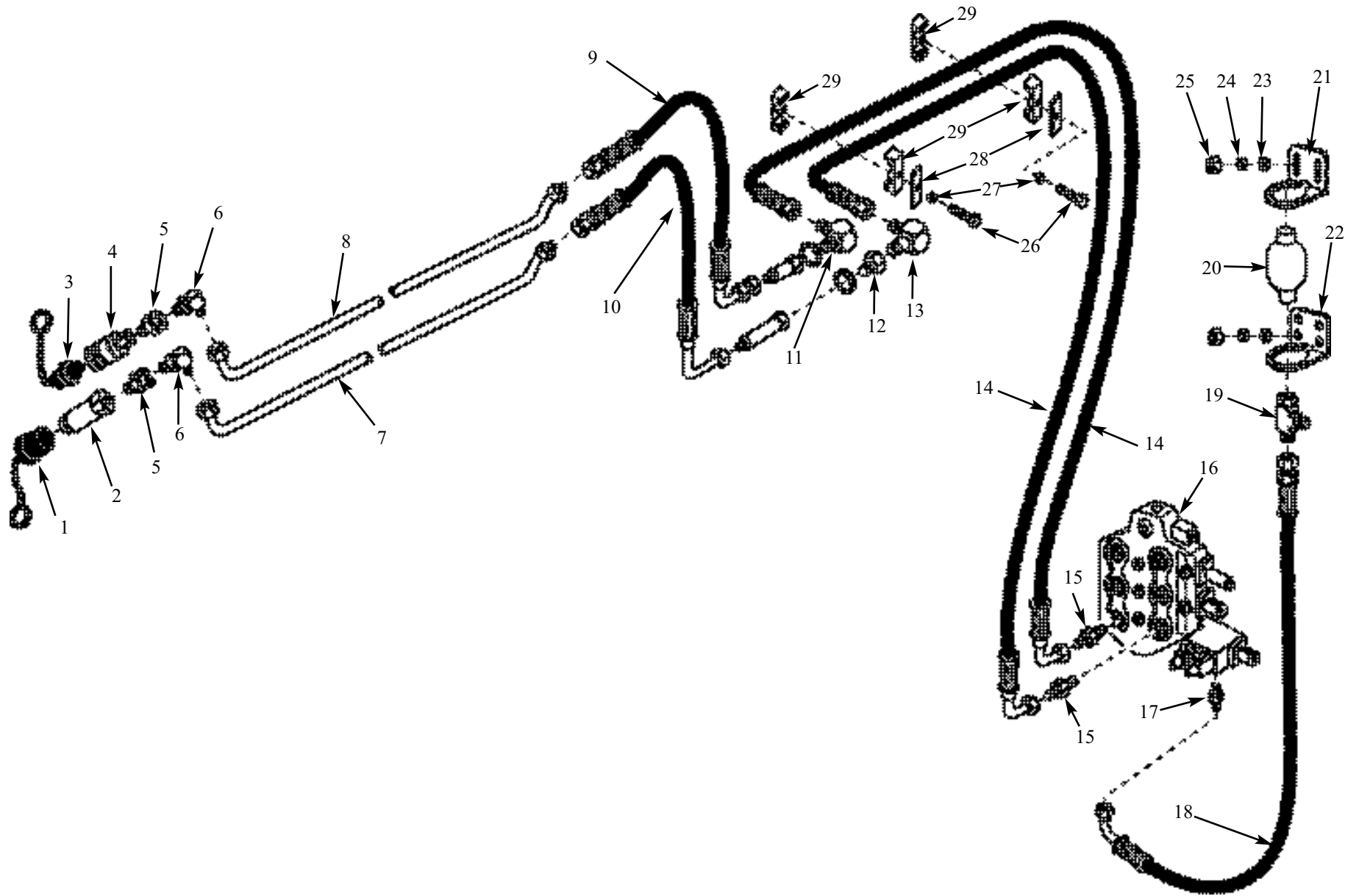
TILT CYLINDER



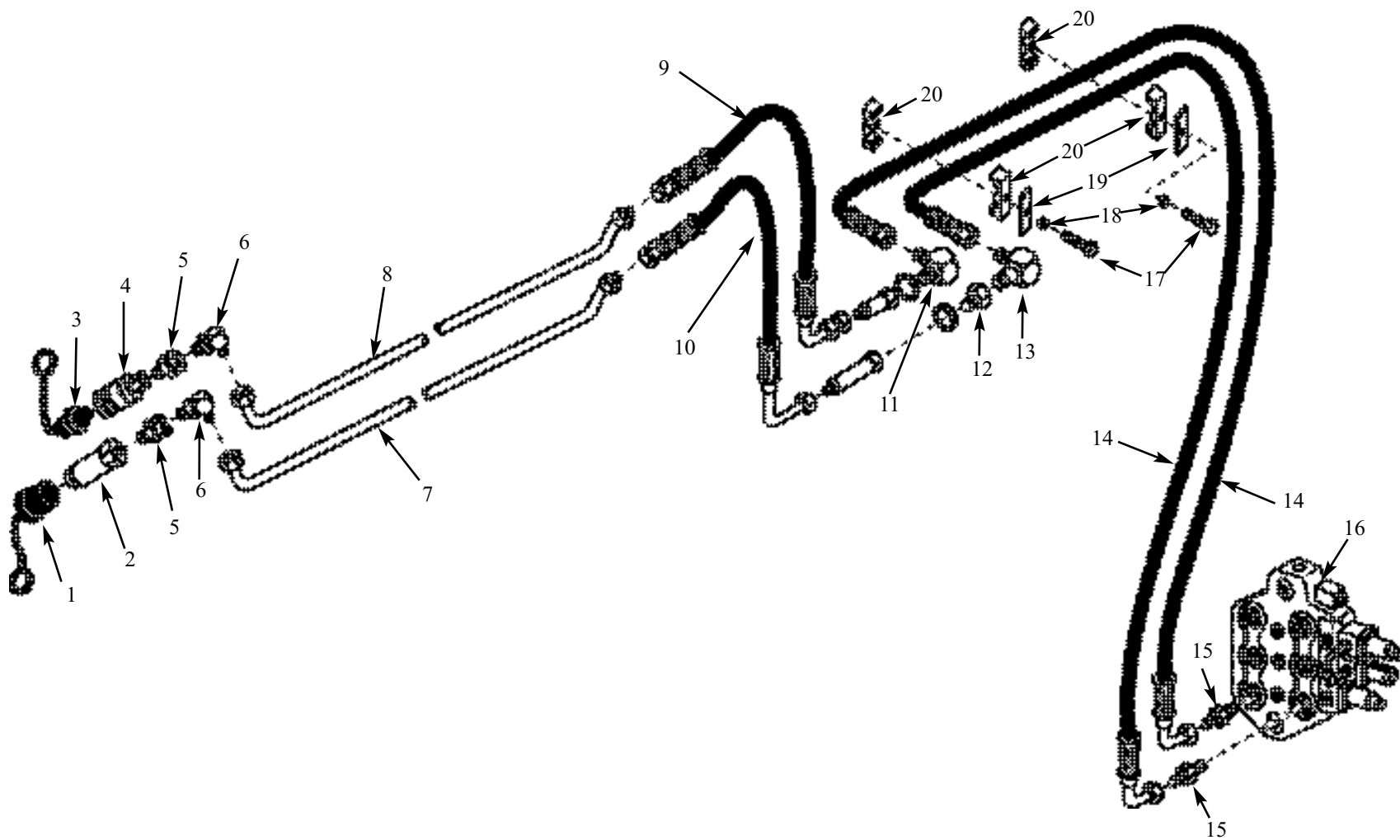
ITEM	PART	QTY	DESCRIPTION
1.	041420SP	2	Cylinder
2.	043702SP	1	Rod, Cylinder
3.	029875SP	1	Seal Kit, Hydraulic Cylinder
4.	043703SP	1	Cap, Hydraulic Cylinder End
5.	038589SP	1	Hardened Bushing
6.	029979SP	1	Piston, Part B
7.	029978SP	1	Piston, Part A
8.	029896SP	1	Lock Nut, Hex, Cylinder Shaft
9.	043704SP	1	Tube, Hydraulic Cylinder
10.	002010SP	3	Grease Fitting, Straight

AUXILIARY CIRCUIT WITH ACCUMULATOR (175)

4.8 (A)



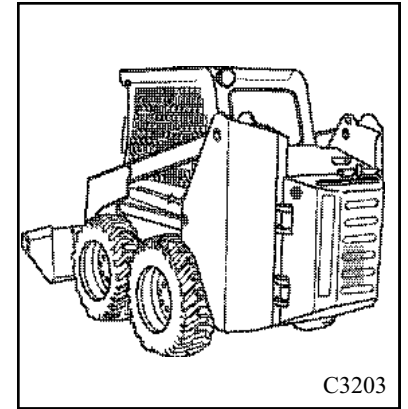
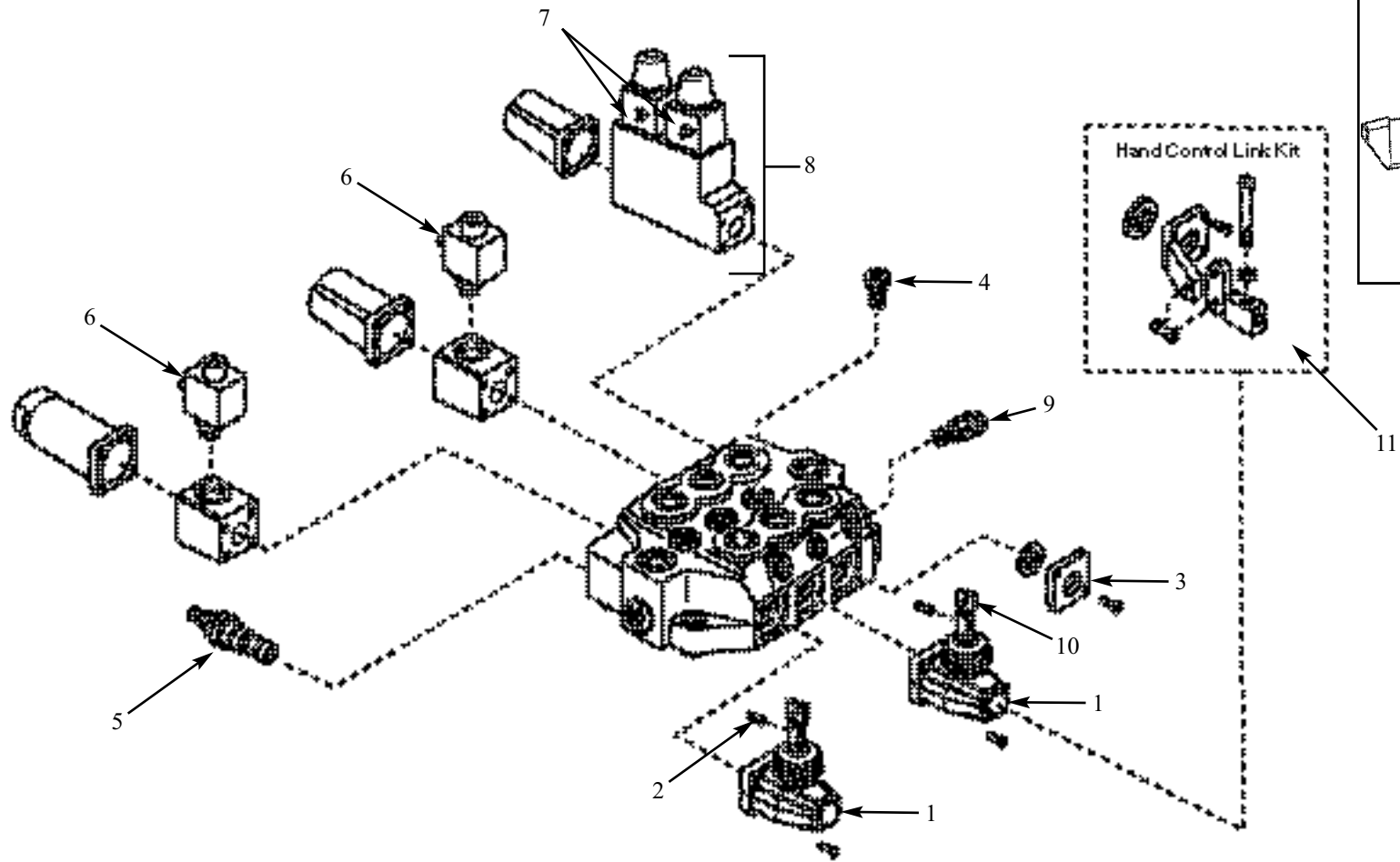
ITEM	PART	QTY	DESCRIPTION
1.	007667SP	1	Dust Plug, Male Quick Coupler
2.	001803SP	1	Quick Coupler, Male
3.	007124SP	1	Dust Plug, Female Quick Coupler
4.	006608SP	1	Quick Coupler, Female
5.	029437SP	2	Connector, Bulkhead Straight
6.	022280SP	2	Elbow, 90 Degree Swivel
7.	042088SP	1	Tube, Hyd. (Outside Auxiliary)
8.	042089SP	1	Tube, Hyd. (Inside Auxiliary)
9.	963231SP	1	Hose, Hyd. (Inside to Front Bulkhead)
10.	961393SP	1	Hose, Hyd. (Outside to Rear Bulkhead)
11.	033831SP	1	Connector, Bulkhead 90 Degree
12.	036337SP	1	Connector, Bulkhead Straight
13.	022280SP	1	Elbow, 90 Degree
14.	963843SP	2	Hose, Hyd. (Valve to Bulkhead)
15.	019226SP	2	Connector, Straight
16.	*	1	Control Valve (See Section 4.9)
17.	036853SP	1	Connector, Straight
18.	963844SP	1	Hose, Hyd. (Valve to Accumulator)
19.	026833SP	1	Tee, Run
20.	046118SP	1	Accumulator, Diaphragm
21.	046165SP	1	Mount, Accumulator Top
22.	046166SP	1	Mount, Accumulator Bottom
23.	001651SP	4	Washer
24.	001870SP	4	Lock Washer
25.	001191SP	4	Nut
26.	042625SP	2	Bolt
27.	016771SP	2	Nut, Nylok
28.	038472SP	2	Plate, Cover
29.	038303SP	4	Clamp, Tube



ITEM	PART	QTY	DESCRIPTION
1.	007667SP	1	Dust Plug, Male Quick Coupler
2.	001803SP	1	Quick Coupler, Male
3.	007124SP	1	Dust Plug, Female Quick Coupler
4.	006608SP	1	Quick Coupler, Female
5.	029437SP	2	Connector, Bulkhead Straight
6.	022280SP	2	Elbow, 90 Degree Swivel
7.	042088SP	1	Tube, Hyd. (Outside Auxiliary)
8.	042089SP	1	Tube, Hyd. (Inside Auxiliary)
9.	963231SP	1	Hose, Hyd. (Inside to Front Bulkhead)
10.	961393SP	1	Hose, Hyd. (Outside to Rear Bulkhead)
11.	033831SP	1	Connector, Bulkhead 90 Degree
12.	036337SP	1	Connector, Bulkhead Straight
13.	022280SP	1	Elbow, 90 Degree
14.	963843SP	2	Hose, Hyd. (Valve to Bulkhead)
15.	019226SP	2	Connector, Straight
16.	*	1	Control Valve (See Section 4.9)
17.	042625SP	2	Bolt
18.	016771SP	2	Nut, Nylok
19.	038472SP	2	Plate, Cover
20.	038303SP	4	Clamp, Tube

CONTROL VALVE (175)

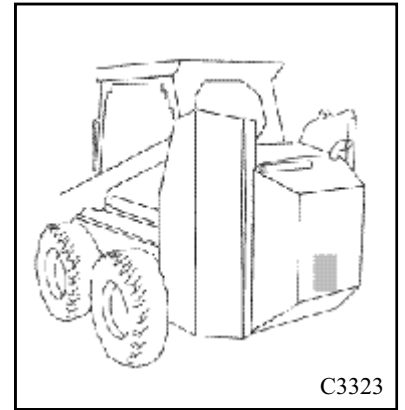
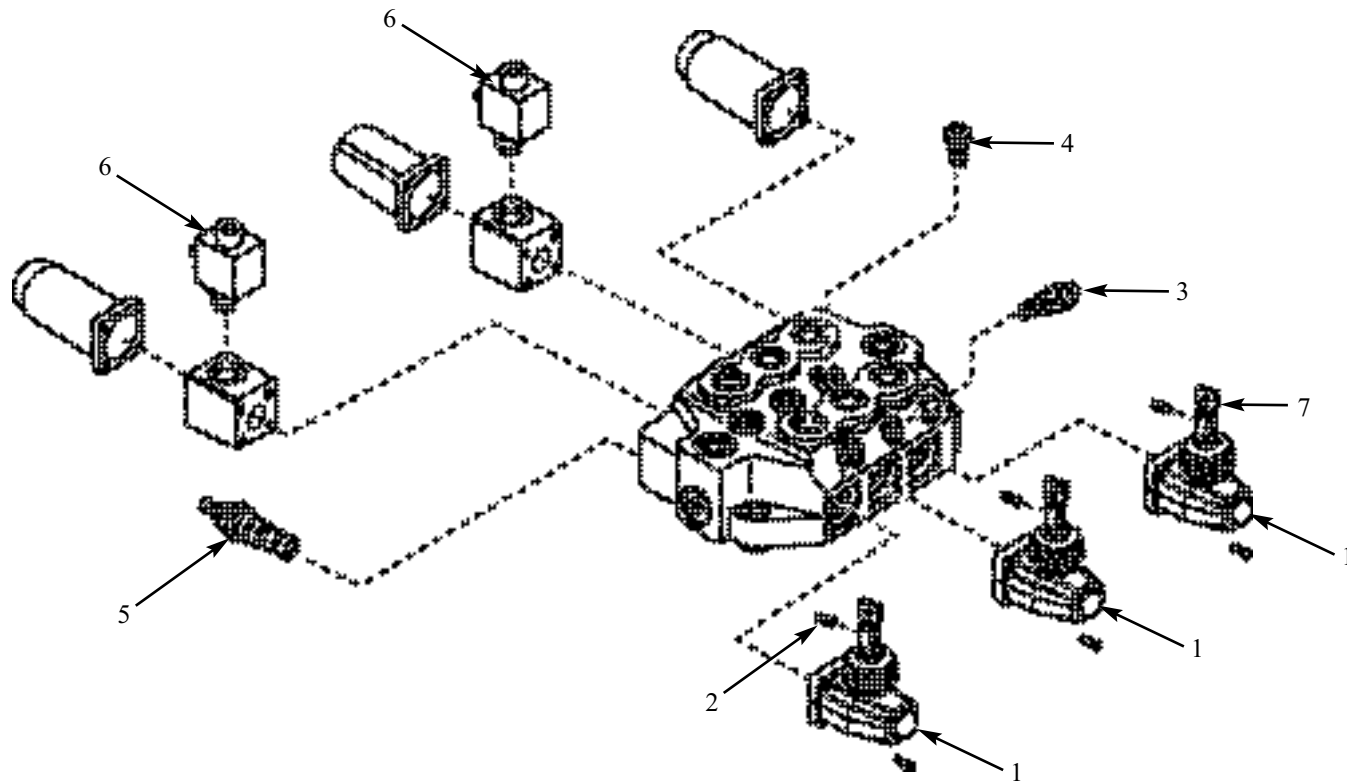
4.9 (A)



ITEM	PART	QTY	DESCRIPTION
*	047234SP	1	Valve, Assy. Solenoid Auxiliary with Control Boxes
1.	044935SP	2	Control Box
2.	044473SP	2	Set Screws
3.	044936SP	1	Kit, Dust Cap Assy.
4.	043722SP	3	Check Valve
5.	043721SP	1	Valve, Main Relief
6.	043724SP	2	Coil, Lock Solenoid
7.	043723SP	2	Coil, Auxiliary Solenoid
8.	046117SP	1	Auxiliary Control with Coils
9.	047435SP	1	Valve, Port Relief
10.	044299SP	2	Bar
11.	044937SP	1	Kit, Dust Cap w/Connector for Hand Control (Optional)
*	043812SP	1	Seal Kit

CONTROL VALVE (ProTough 1700)

4.9 (B)



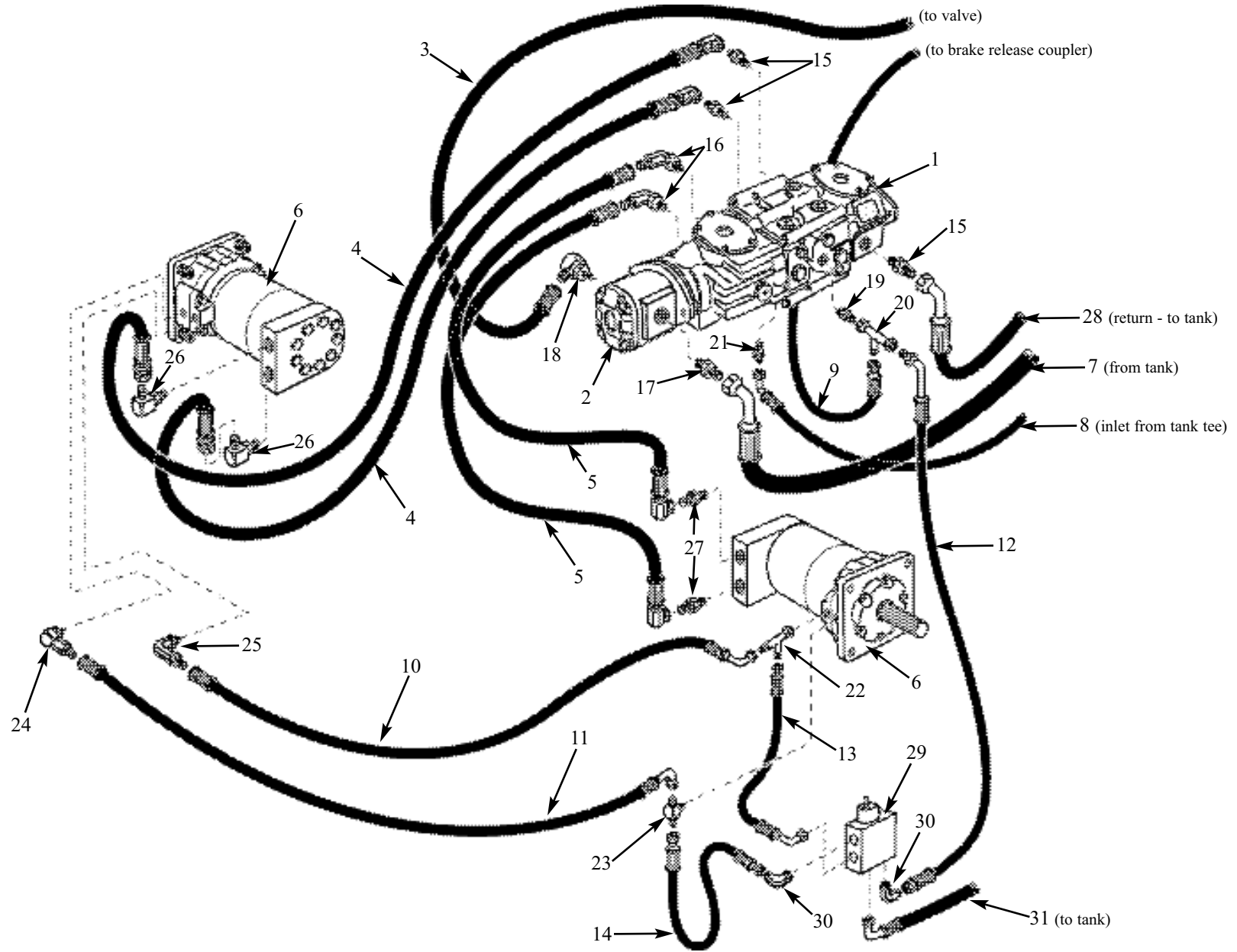
ITEM	PART	QTY	DESCRIPTION
*	046882SP	1	Valve, Assy. Standard Aux. w/Control Boxes
1.	044935SP	2	Control Box
2.	044473SP	2	Set Screws
3.	047435SP	1	Valve, Port Relief
4.	043722SP	3	Check Valve
5.	043721SP	1	Valve, Main Relief
6.	043724SP	2	Coil, Lock Solenoid
7.	044299SP	2	Bar
*	043812SP	1	Seal Kit

5. HYDROSTATIC DRIVE SYSTEM

Hydrostatic Drive Circuit (175)..... 5.1 (A)
Hydrostatic Drive Circuit (ProTough 1700)5.1 (B)
Hydrostatic Tandem Pump (Part 1) 5.2 (A)
Hydrostatic Tandem Pump (Part 2)..... 5.2 (B)
Torque Motor 5.3
Brake Valve.....5.4

HYDROSTATIC DRIVE CIRCUIT (175)

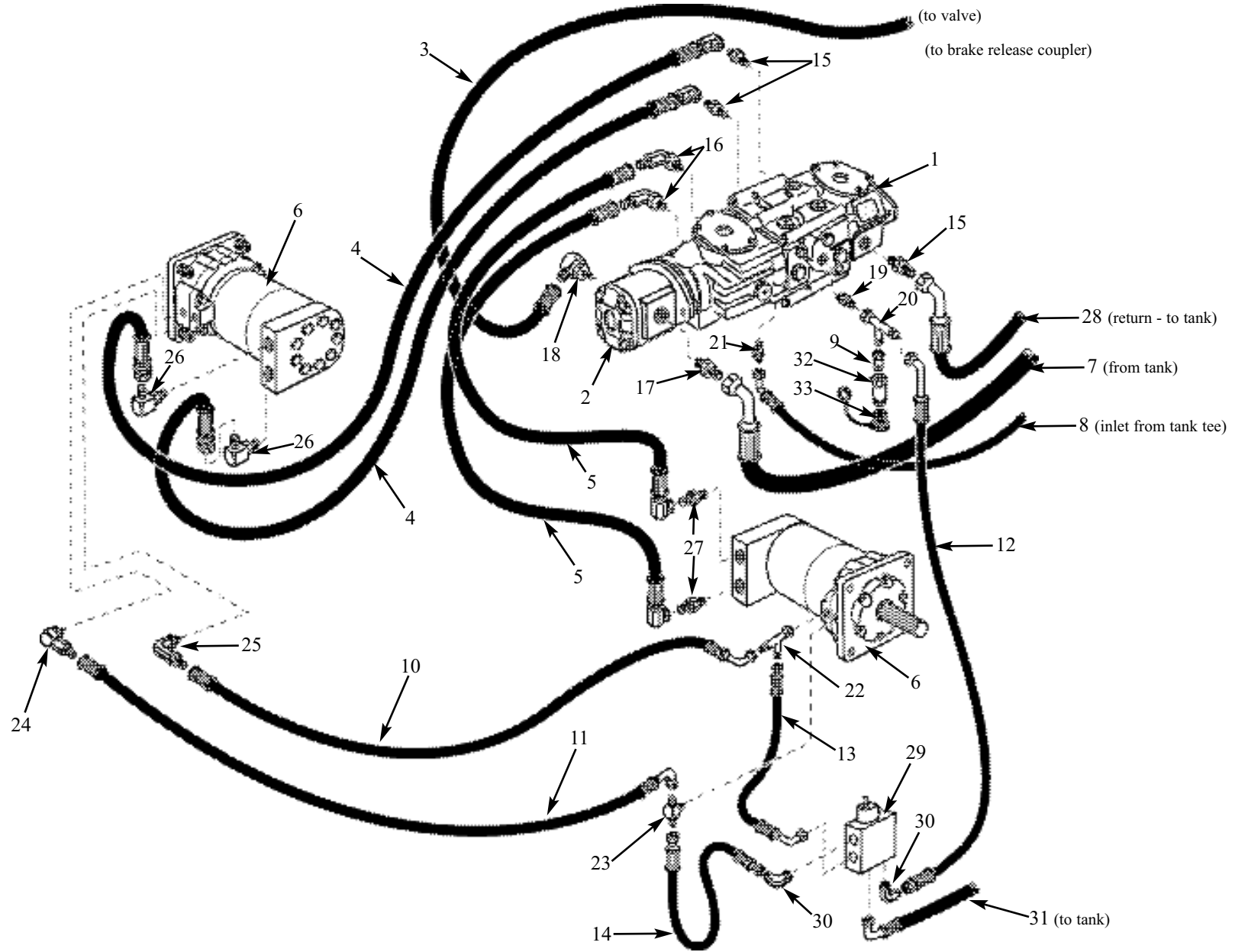
5.1 (A)



ITEM	PART	QTY	DESCRIPTION
1.	046869SP	1	Hydrostatic Tandem Pump
2.	046850SP	1	Gear Pump
3.	963850SP	1	Hose, Hydraulic (to valve)
4.	047427SP	2	Hose, Hydraulic
5.	043065SP	2	Hose, Hydraulic
6.	046748SP	2	Torque Motor
7.	963847SP	1	Hose, Hydraulic (from tank)
8.	963853SP	1	Hose, Hydraulic (from tank)
9.	963859SP	1	Hose, Hydraulic (to brake release coupler)
10.	963855SP	1	Hose, Hydraulic
11.	963857SP	1	Hose, Hydraulic
12.	963860SP	1	Hose, Hydraulic
13.	963856SP	1	Hose, Hydraulic
14.	963858SP	1	Hose, Hydraulic
15.	014867SP	3	Connector
16.	014866SP	2	Elbow
17.	033882SP	1	Connector
18.	025011SP	1	Elbow
19.	026008SP	1	Connector
20.	038389SP	1	Tee
21.	008104SP	1	Connector
22.	043146SP	1	Tee
23.	043189SP	1	Tee
24.	036855SP	1	Elbow
25.	036713SP	1	Elbow
26.	014866SP	2	Elbow
27.	014867SP	2	Connector
28.	963852SP	1	Hose, Hydraulic (to tank)
29.	046913SP	1	Brake Valve
30.	021128SP	2	Elbow
31.	963854SP	1	Hose, Hydraulic (to tank)

HYDROSTATIC DRIVE CIRCUIT (ProTough 1700)

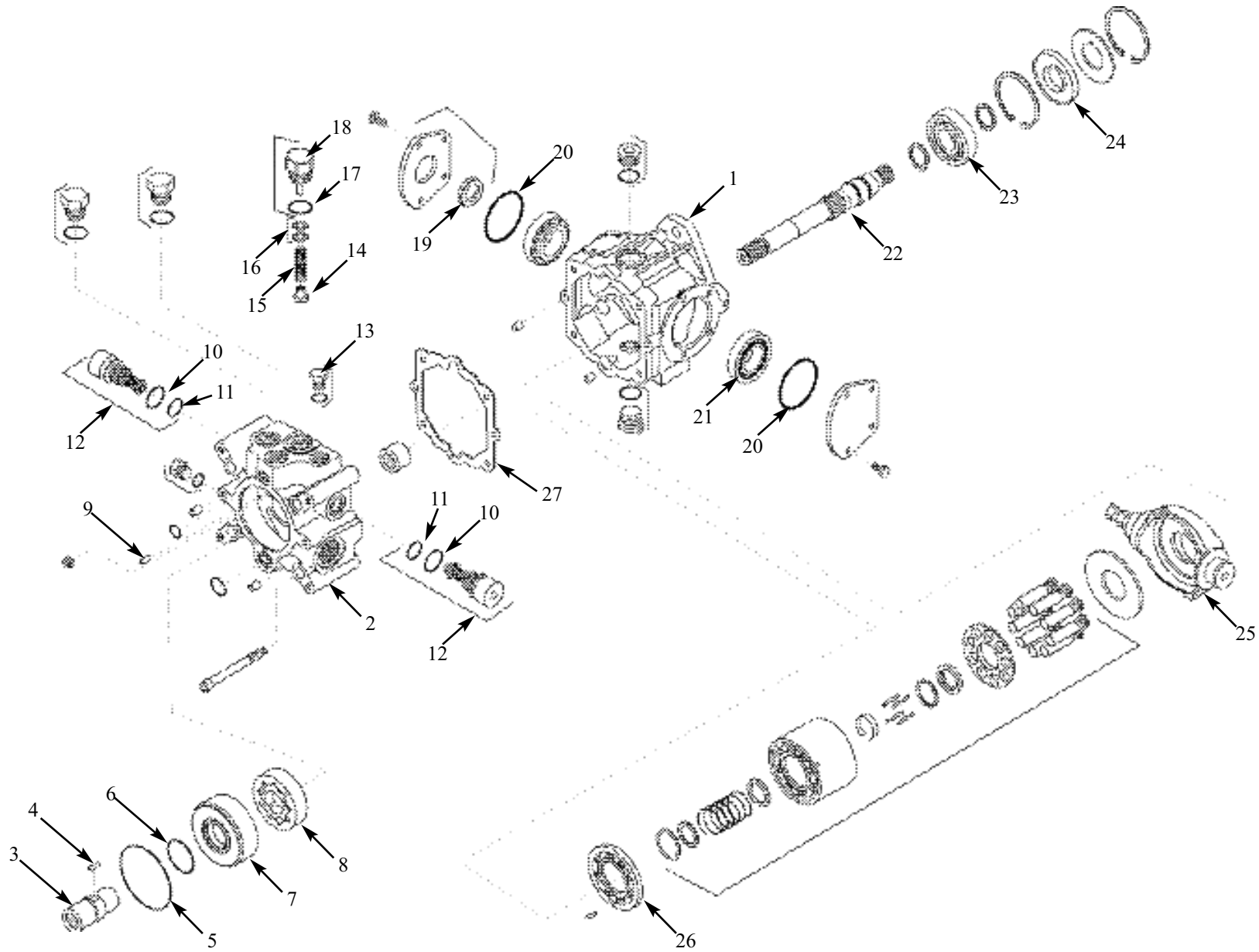
5.1 (B)



ITEM	PART	QTY	DESCRIPTION
1.	046869SP	1	Hydrostatic Tandem Pump
2.	046850SP	1	Gear Pump
3.	963850SP	1	Hose, Hydraulic (to valve)
4.	047427SP	2	Hose, Hydraulic
5.	043065SP	2	Hose, Hydraulic
6.	046748SP	2	Torque Motor
7.	963847SP	1	Hose, Hydraulic (from tank)
8.	963853SP	1	Hose, Hydraulic (from tank)
9.	043202SP	1	Adapter
10.	963855SP	1	Hose, Hydraulic
11.	963857SP	1	Hose, Hydraulic
12.	963860SP	1	Hose, Hydraulic
13.	963856SP	1	Hose, Hydraulic
14.	963858SP	1	Hose, Hydraulic
15.	014867SP	3	Connector
16.	014866SP	2	Elbow
17.	033882SP	1	Connector
18.	025011SP	1	Elbow
19.	026008SP	1	Connector
20.	038389SP	1	Tee
21.	008104SP	1	Connector
22.	043146SP	1	Tee
23.	043189SP	1	Tee
24.	036855SP	1	Elbow
25.	036713SP	1	Elbow
26.	014866SP	2	Elbow
27.	014867SP	2	Connector
28.	963852SP	1	Hose, Hydraulic (to tank)
29.	046913SP	1	Brake Valve
30.	021128SP	2	Elbow
31.	963854SP	1	Hose, Hydraulic (to tank)
32.	043128SP	1	Quick Coupler, Male
33.	043130SP	1	Dust Plug for Male Quick Coupler

HYDROSTATIC TANDEM PUMP (PART 1)

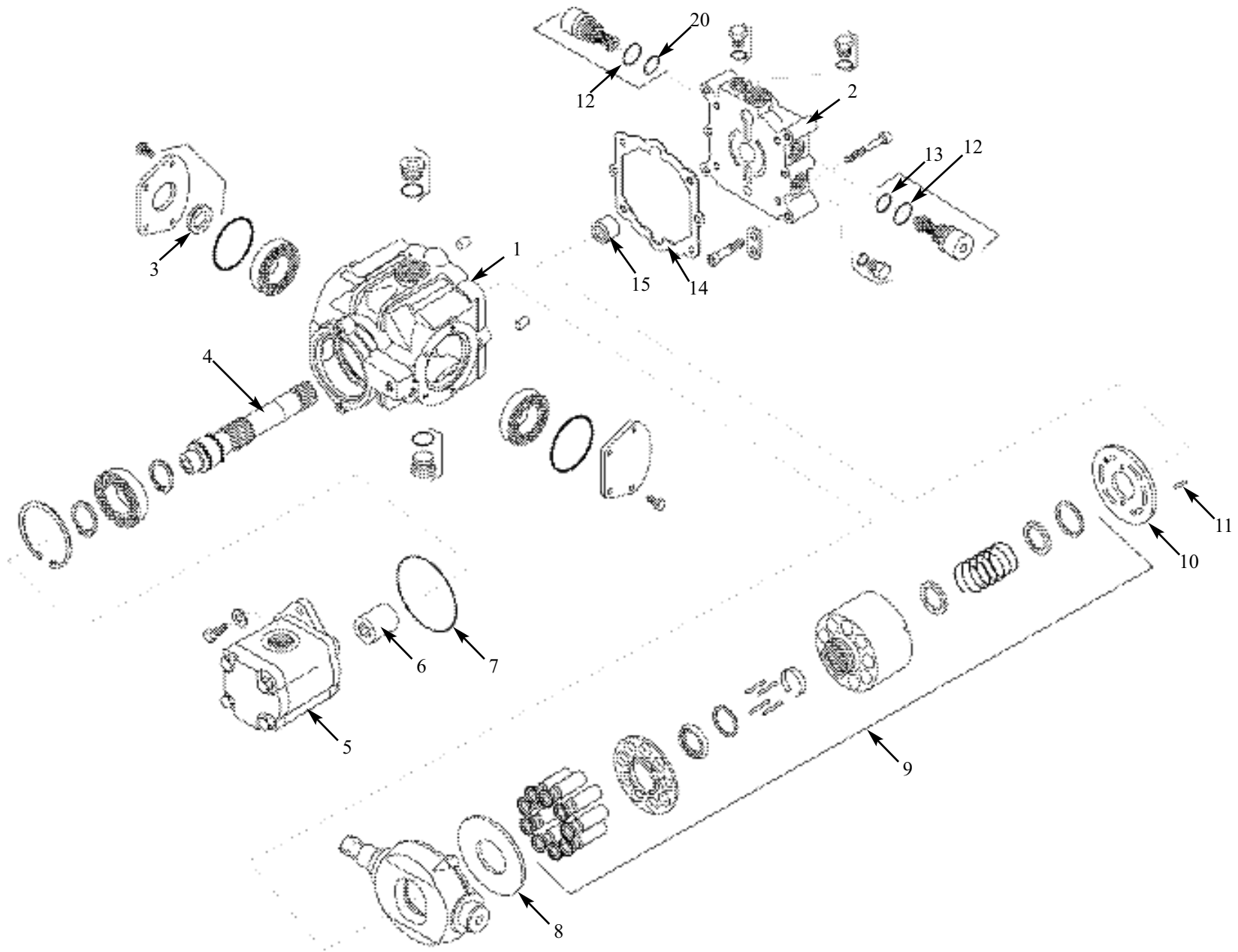
5.2 (A)



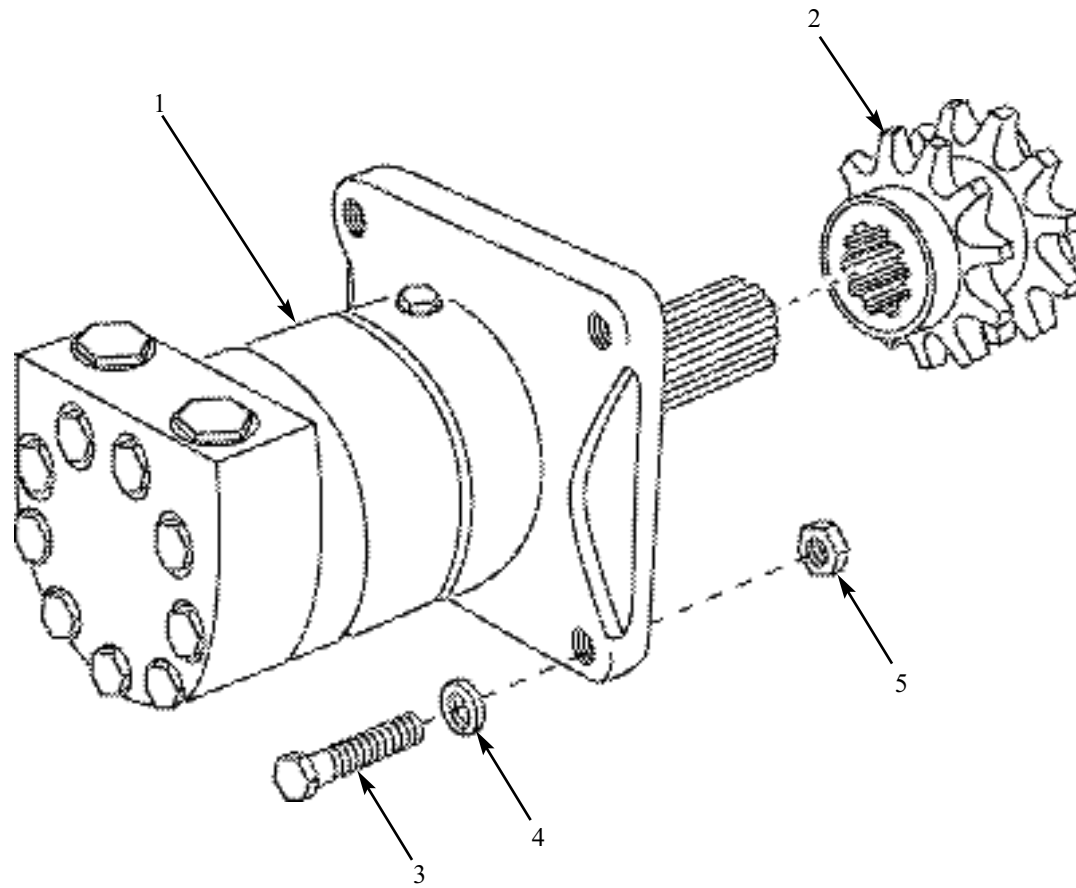
ITEM	PART	QTY	DESCRIPTION
1.	047916SP	1	Front Pump Housing
2.	047936SP	1	End Cap, Rear
3.	047933SP	1	Coupling
4.	047918SP	1	Pin
5.	047931SP	1	O-ring
6.	047930SP	1	O-ring
7.	047929SP	1	Spacer
8.	047919SP	1	Gerolor Assy.
9.	047932SP	1	Pin
10.	047939SP	4	O-ring
11.	047938SP	4	O-ring
12.	044136SP	1	SCR Valve, 345 bar/5000 psi
13.	047922SP	1	Plug
14.	043165SP	1	Charge Relief Poppet
15.	043164SP	1	Spring
16.	047935SP	1	Shim Kit
17.	043166SP	1	O-ring
18.	047934SP	1	Charge Relief Plug
19.	047940SP	2	Lip Seal
20.	043167SP	2	O-ring
21.	047923SP	1	Taper Roller Bearing
22.	044279SP	1	Front Shaft
23.	044276SP	1	Ball Bearing
24.	043169SP	1	Lip Seal
25.	047928SP	1	Swashplate
26.	044278SP	1	Front Valve Plate, RH
27.	047925SP	1	Gasket, End Cap
*	047945SP	1	Overhaul Seal Kit

HYDROSTATIC TANDEM PUMP (PART 2)

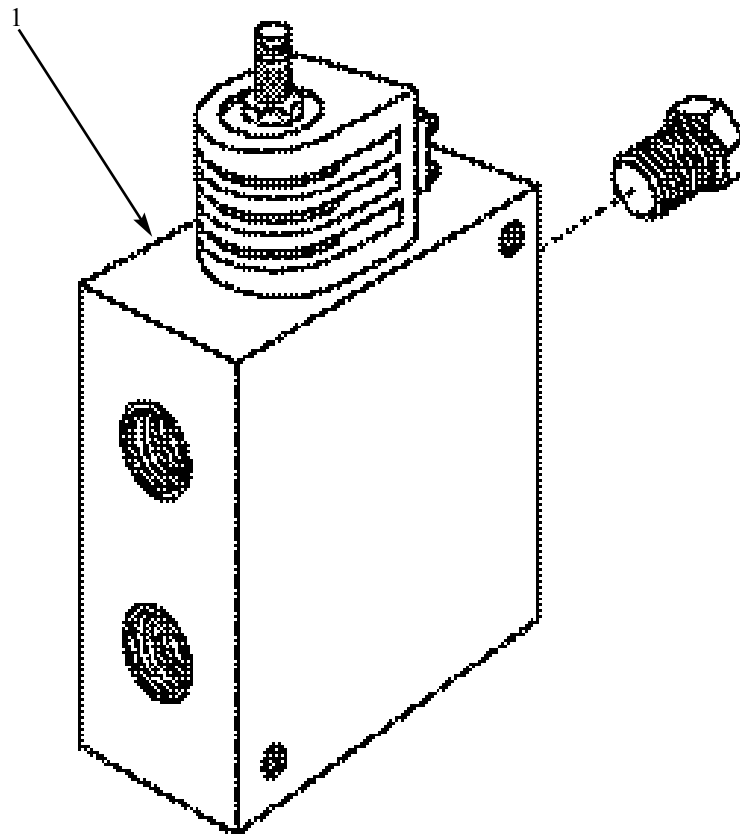
5.2 (B)



ITEM	PART	QTY	DESCRIPTION
1.	047941SP	1	Rear Housing
2.	047937SP	1	End Cap, Front
3.	047940SP	2	Lip Seal
4.	047942SP	1	Rear Shaft
5.	046850SP	1	Gear Pump
6.	043170SP	1	Coupling
7.	043493SP	1	O-ring
8.	047924SP	1	Thruste Plate
9.	047927SP	1	Cylinder Block Kit, 43.5 cc
10.	044280SP	1	Rear Valve Plate, LH
11.	047926SP	1	Spring Pin
12.	047939SP	4	O-ring
13.	047938SP	4	O-ring
14.	047925SP	1	End Cap Gasket
15.	047921SP	1	Needle Bearing
*	047945SP	1	Overhaul Seal Kit



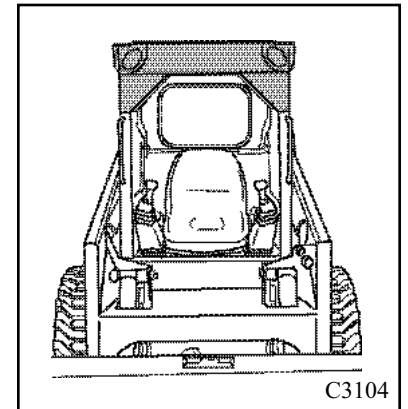
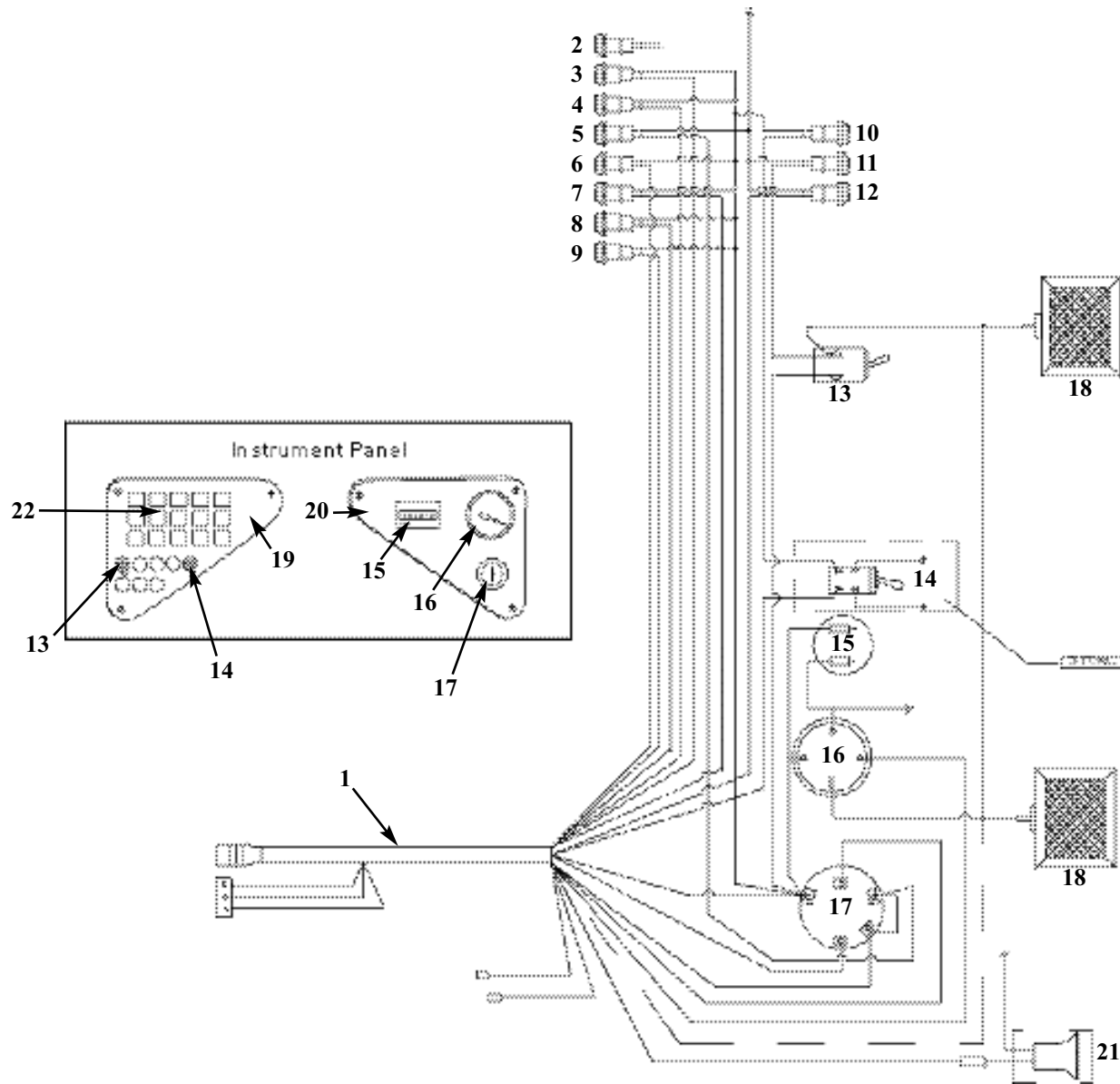
ITEM	PART	QTY	DESCRIPTION
1.	046748SP	2	Torque Motor
2.	046799SP	2	Sprocket, 10T 100 DS
3.	006869SP	8	Bolt, Hex
4.	001647SP	8	Washer, Lock
5.	025091SP	16	Nut, Hex (double nut)



ITEM	PART	QTY	DESCRIPTION
1.	046913SP	1	Brake Valve (2 position, 4 way with check, manual override)

6. ELECTRICAL SYSTEM

Electrical Wiring, ROPS (175)	6.1 (A)
Electrical Wiring, ROPS (ProTough 1700).....	6.1 (B)
Electrical Wiring, Engine (175)	6.2 (A)
Electrical Wiring, Engine (ProTough 1700)	6.2 (B)

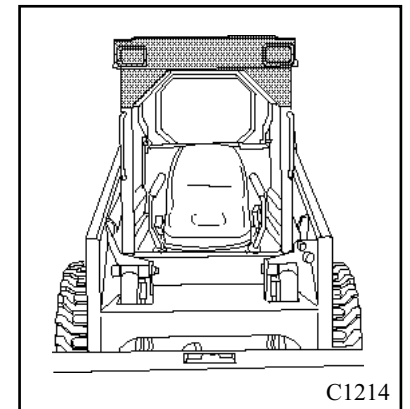
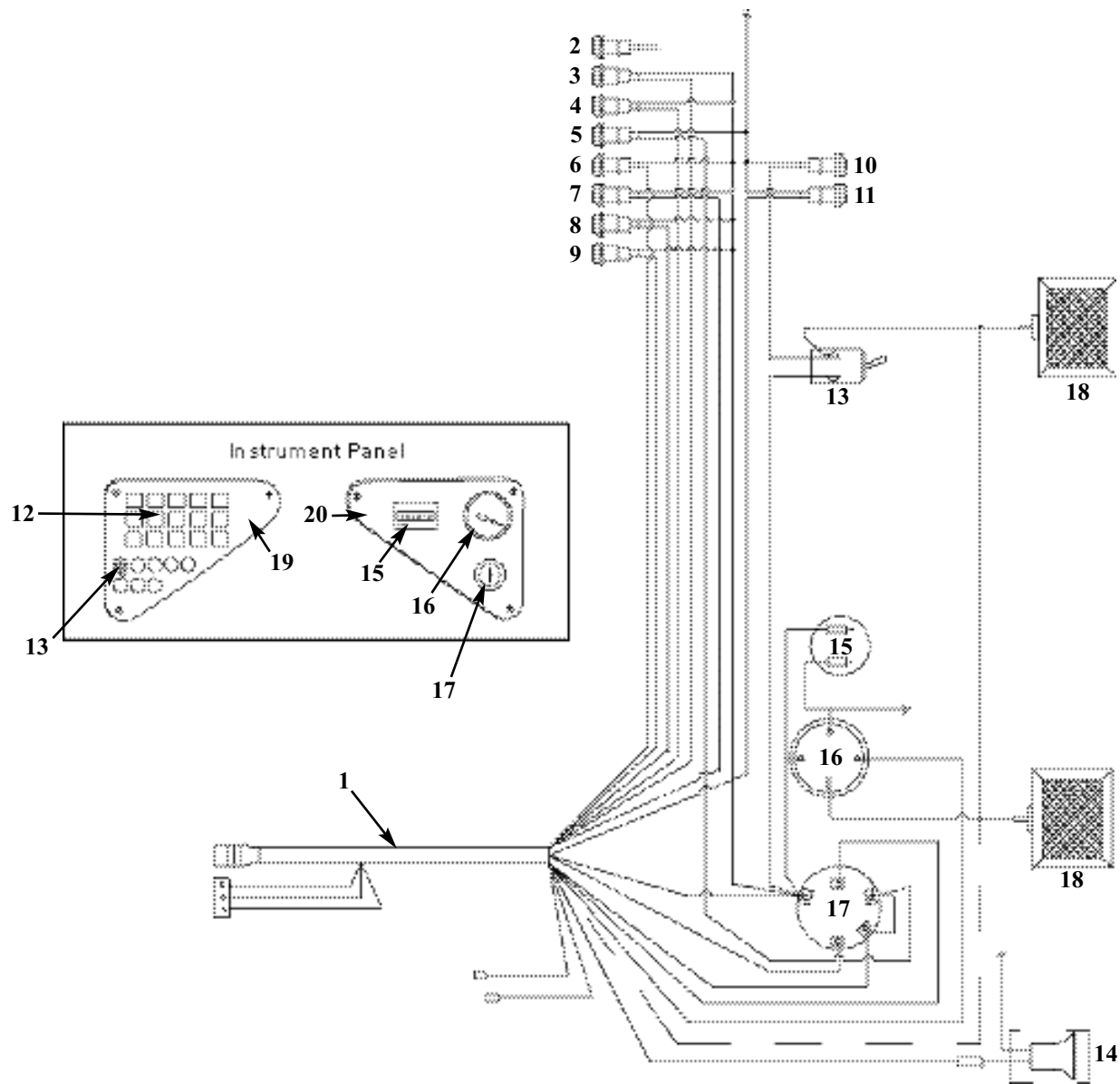


ITEM	PART	QTY	DESCRIPTION
1.	042065SP	1	Electrical Harness, ROPS
2.	039972SP	1	Indicator Light, Low Charge Pressure
3.	039972SP	1	Indicator Light, Brake
4.	039972SP	1	Indicator Light, Battery
5.	039972SP	1	Indicator Light, Preheat
6.	039972SP	1	Indicator Light, Air Filter
7.	039972SP	1	Indicator Light, Hyd. Oil Temperature
8.	039972SP	1	Indicator Light, Coolant Temperature
9.	039972SP	1	Indicator Light, Engine Oil Pressure
10.	039972SP	1	Indicator Light, Auxiliary Hydraulics
11.	039972SP	1	Indicator Light, Lights Dipped Low Beam
12.	039972SP	1	Indicator Light, Seat Belt
13.	039123SP	1	Switch, Toggle SPST (Headlights)
14.	039124SP	1	Switch, Toggle DPST (Auxiliary Control)
15.	038761SP	1	Hour Meter
16.	038577SP	1	Fuel Gauge
17.	044961SP	1	Ignition Switch
18.	046836SP	2	Lamp, Oval (Front Work Light)
19.	046686SP	1	Panel, LH Instrument Assy.
20.	038794SP	1	Panel, RH Instrument Assy.
21.	040918SP	1	Horn, Fast Sounding Alarm (Optional)
22.	039972SP	1	Indicator Bulb Panel
*	046831SP	1	Harness, Wire Oval Lamp
*	963682SP	1	Oval Light Mounting Bracket Assy, RH
*	963681SP	1	Oval Light Mounting Bracket Assy, LH

Harness Clamps

*	042433SP	1	Clamp, Cable #8
*	042435SP	5	Clamp, Cable #12
*	042442SP	1	Clamp, Cable #18

* Items not shown.

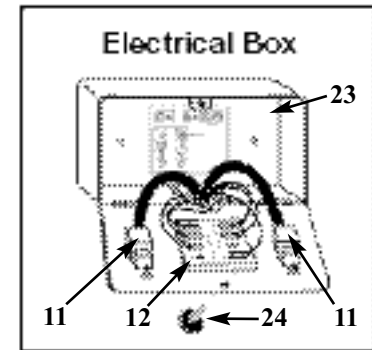
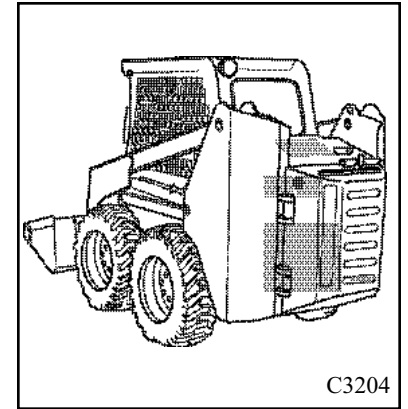
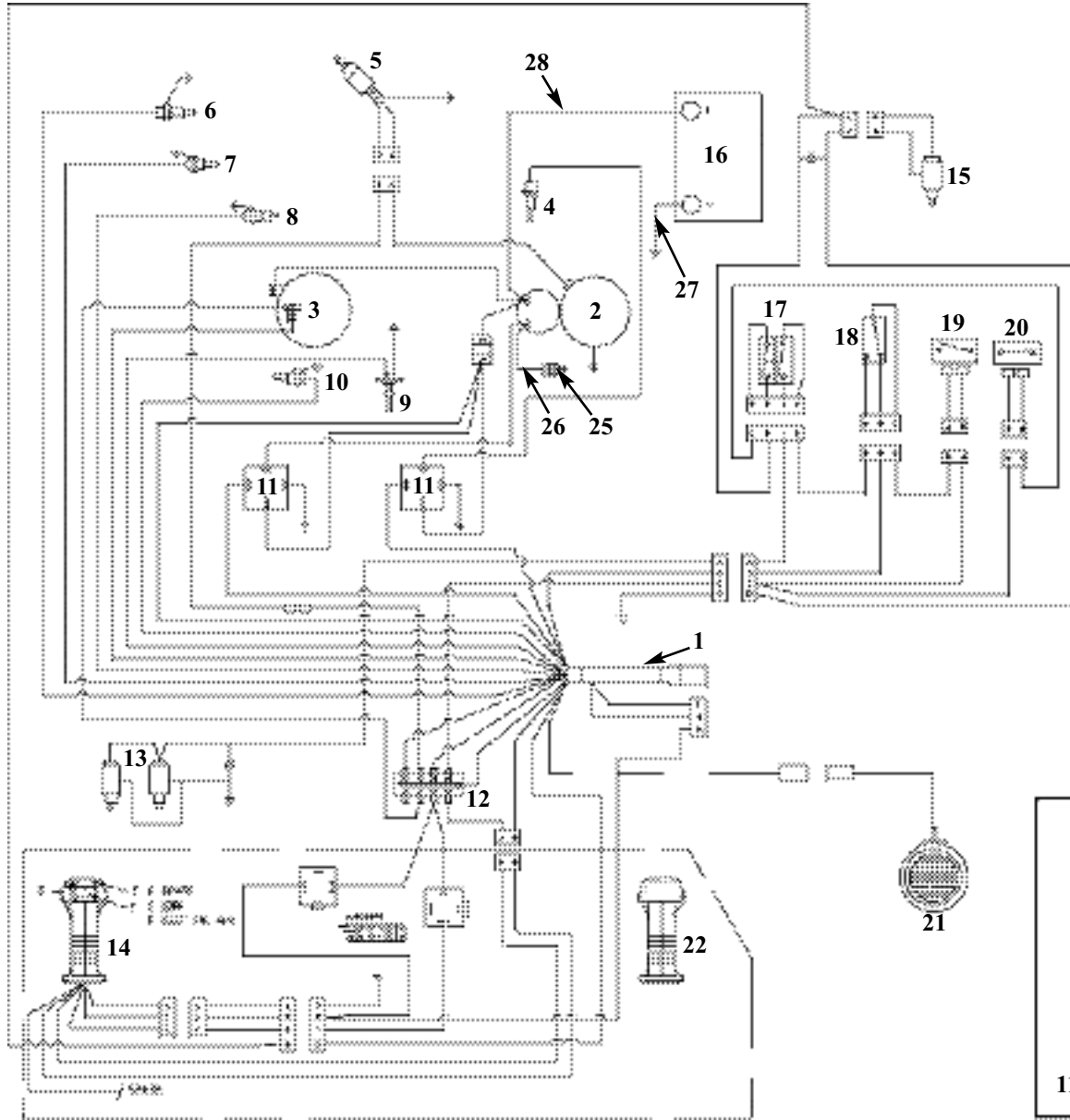


ITEM	PART	QTY	DESCRIPTION
1.	042065SP	1	Electrical Harness, ROPS
2.	039972SP	1	Indicator Light, Low Charge Pressure
3.	039972SP	1	Indicator Light, Brake
4.	039972SP	1	Indicator Light, Battery
5.	039972SP	1	Indicator Light, Preheat
6.	039972SP	1	Indicator Light, Air Filter
7.	039972SP	1	Indicator Light, Hyd. Oil Temperature
8.	039972SP	1	Indicator Light, Coolant Temperature
9.	039972SP	1	Indicator Light, Engine Oil Pressure
10.	039972SP	1	Indicator Light, Lights Dipped Low Beam
11.	039972SP	1	Indicator Light, Seat Belt
12.	039972SP	1	Indicator Bulb Panel
13.	039123SP	1	Switch, Toggle SPST (Headlights)
14.	040918SP	1	Horn, Fast Sounding Alarm (Optional)
15.	038761SP	1	Hour Meter
16.	038577SP	1	Fuel Gauge
17.	044961SP	1	Ignition Switch
18.	047468SP	2	Lamp, Halogen Assy.
19.	046686SP	1	Panel, LH Instrument Assy.
20.	038794SP	1	Panel, RH Instrument Assy.
*	047469SP	1	Harness, Wire Halogen Lamp

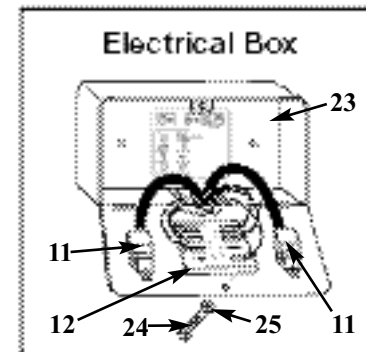
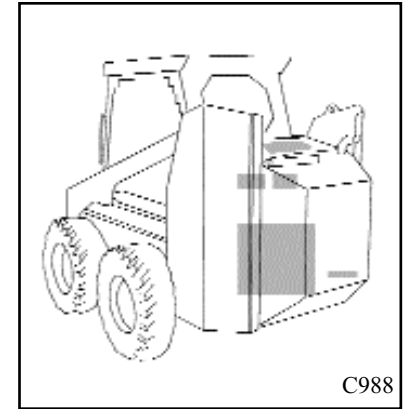
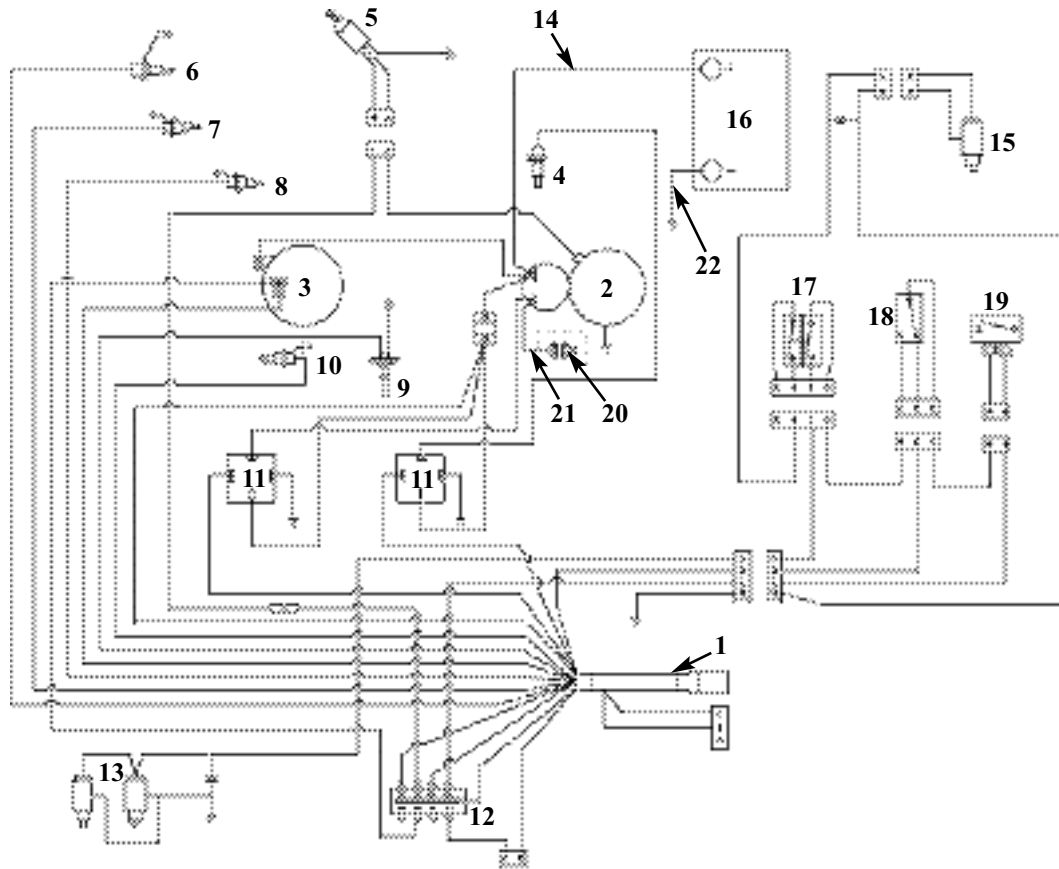
Harness Clamps

*	042433SP	1	Clamp, Cable #8
*	042435SP	5	Clamp, Cable #12
*	042442SP	1	Clamp, Cable #18

* Items not shown.



ITEM	PART	QTY	DESCRIPTION
1.	043269SP	1	Harness, Engine Wire
2.	047732SP	1	Starter, Engine V2003T
3.	042604SP	1	Alternator
4.	035536SP	4	Glow Plug
5.	041274SP	1	Kit, Solenoid, Engine Shut-Off
6.	038855SP	1	Indicator, Service Electrical (Air)
7.	037206SP	1	Switch, Temperature Sender (Hyd. Oil Temp.)
8.	018724SP	1	Switch, Oil (Engine Oil Pressure)
9.	043744SP	1	Sender, Fuel Level
10.	037206SP	1	Switch, Temperature Sender (Water Temp.)
11.	039840SP	2	Relay
12.	039540SP	1	Panel, Fuse & Circuit Breaker
*	039121SP	1	Fuse, Automotive, 15Amp (5 per pack)
*	039122SP	3	Fuse, Automotive, 10Amp (5 per pack)
13.	047234SP	1	Control Valve
14.	044182SP	1	Handle, Erg. w/Rocker & 2PB Switches
15.	046913SP	1	Brake Valve
16.	038870SP	1	Battery
17.	042950SP	1	Switch, Dual c/w Bracket (Restraint Bar Switch)
18.	961372SP	1	Seat Belt w/Switch (2" Standard)
	963406SP	1	Seat Belt w/Switch (3" Option)
19.	038516SP	1	Switch, Seat
20.	042951SP	1	Switch, Contact Body Assy. (Stop Button)
*	044305SP	1	Button, Turn to Release, Red
21.	029971SP	1	Rear Work Light
22.	044181SP	1	Handle, Ergonomic, Plain
23.	961693SP	1	Box, Electrical Assy.
24.	041791SP	1	Knob, Black w/Brass Insert
25.	037104SP	1	Lug, External Boosting
26.	039910SP	1	Cable, Positive 25"
*	039921SP	1	Insulator, Terminal Cover
27.	038871SP	1	Cable, Ground (Battery)
28.	038872SP	1	Cable, Positive 48"
*	043081SP	1	Harness, Mainframe
*	047336SP	1	Harness, Homologation (CE only)



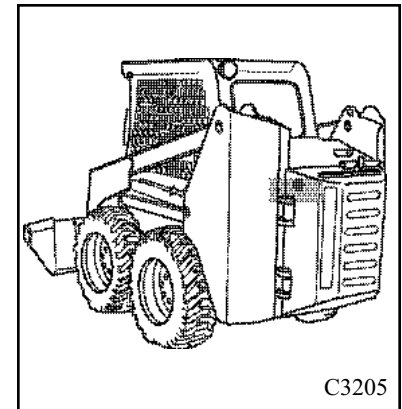
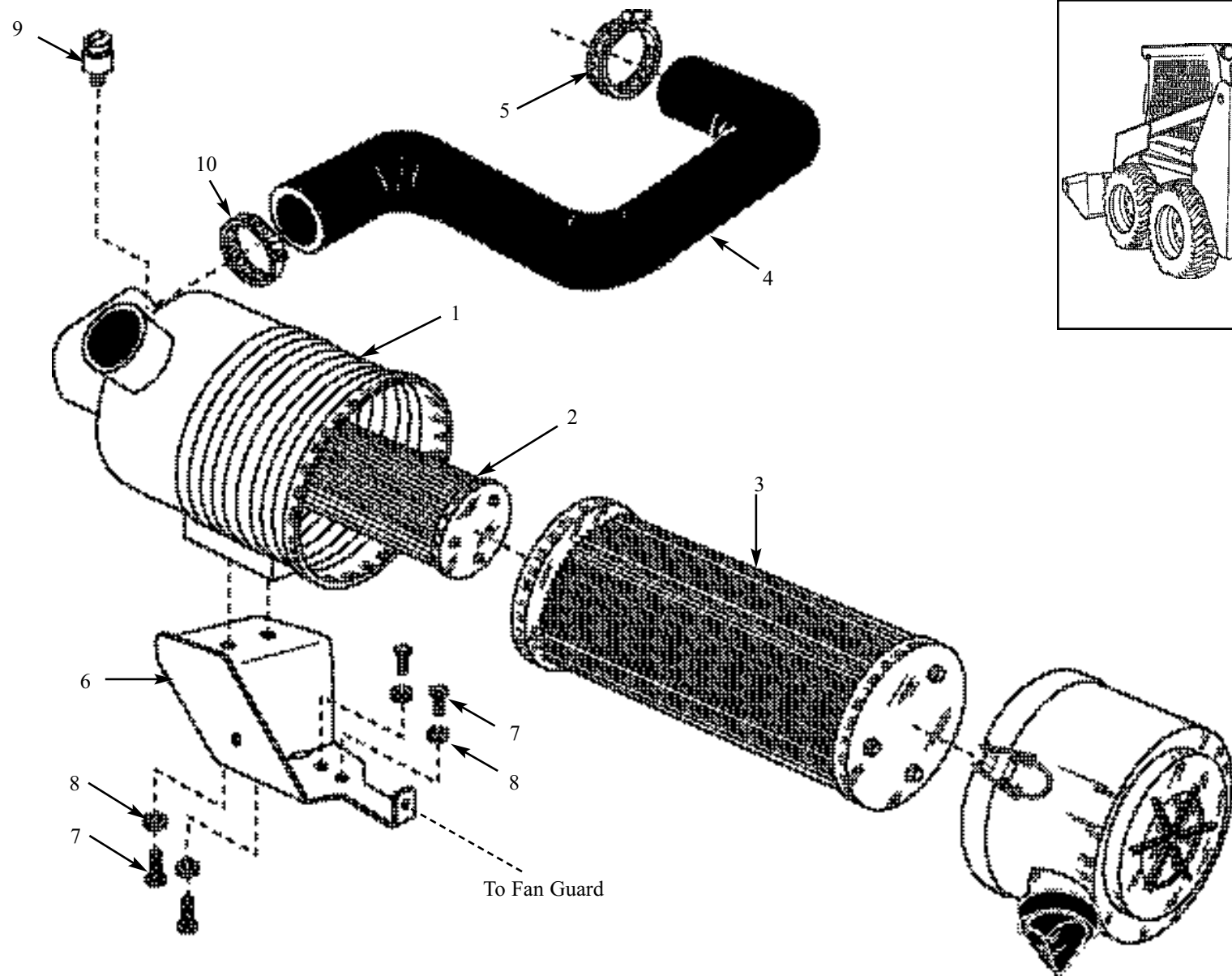
ITEM	PART	QTY	DESCRIPTION
1.	043269SP	1	Harness, Engine Wire
2.	047732SP	1	Starter, Engine V2003T
3.	042604SP	1	Alternator
4.	035536SP	4	Glow Plug
5.	041274SP	1	Kit, Solenoid, Engine Shut-Off
6.	038855SP	1	Indicator, Service Electrical (Air)
7.	037206SP	1	Switch, Temperature Sender (Hyd. Oil Temp.)
8.	018724SP	1	Switch, Oil (Engine Oil Pressure)
9.	043744SP	1	Sender, Fuel Level
10.	037206SP	1	Switch, Temperature Sender (Water Temp.)
11.	039840SP	2	Relay
12.	039540SP	1	Panel, Fuse & Circuit Breaker
*	039121SP	1	Fuse, Automotive, 15Amp (5 per pack)
*	039122SP	3	Fuse, Automotive, 10Amp (5 per pack)
13.	046882SP	1	Control Valve
14.	038872SP	1	Cable, Positive 48"
15.	046913SP	1	Brake Valve
16.	038870SP	1	Battery
17.	042950SP	1	Switch, Dual c/w Bracket (Restraint Bar Switch)
18.	961372SP	1	Seat Belt w/Switch (2" Standard)
	963406SP	1	Seat Belt w/Switch (3" Option)
19.	038516SP	1	Switch, Seat
20.	037104SP	1	Lug, External Boosting (Optional)
21.	039910SP	1	Cable, Positive 25"
22.	038871SP	1	Cable, Ground (Battery)
23.	961693SP	1	Box, Electrical Assy.
24.	001190SP	1	Bolt
25.	001651SP	1	Washer, Flat
*	043081SP	1	Harness, Mainframe

7. ENGINE EQUIPMENT

Air Cleaner (175)	7.1 (A)
Air Cleaner (ProTough 1700).....	7.1 (B)
Exhaust System (175)	7.2 (A)
Exhaust System (ProTough 1700).....	7.2 (B)

AIR CLEANER (175)

7.1 (A)

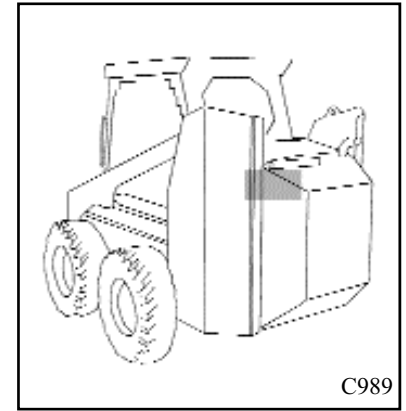
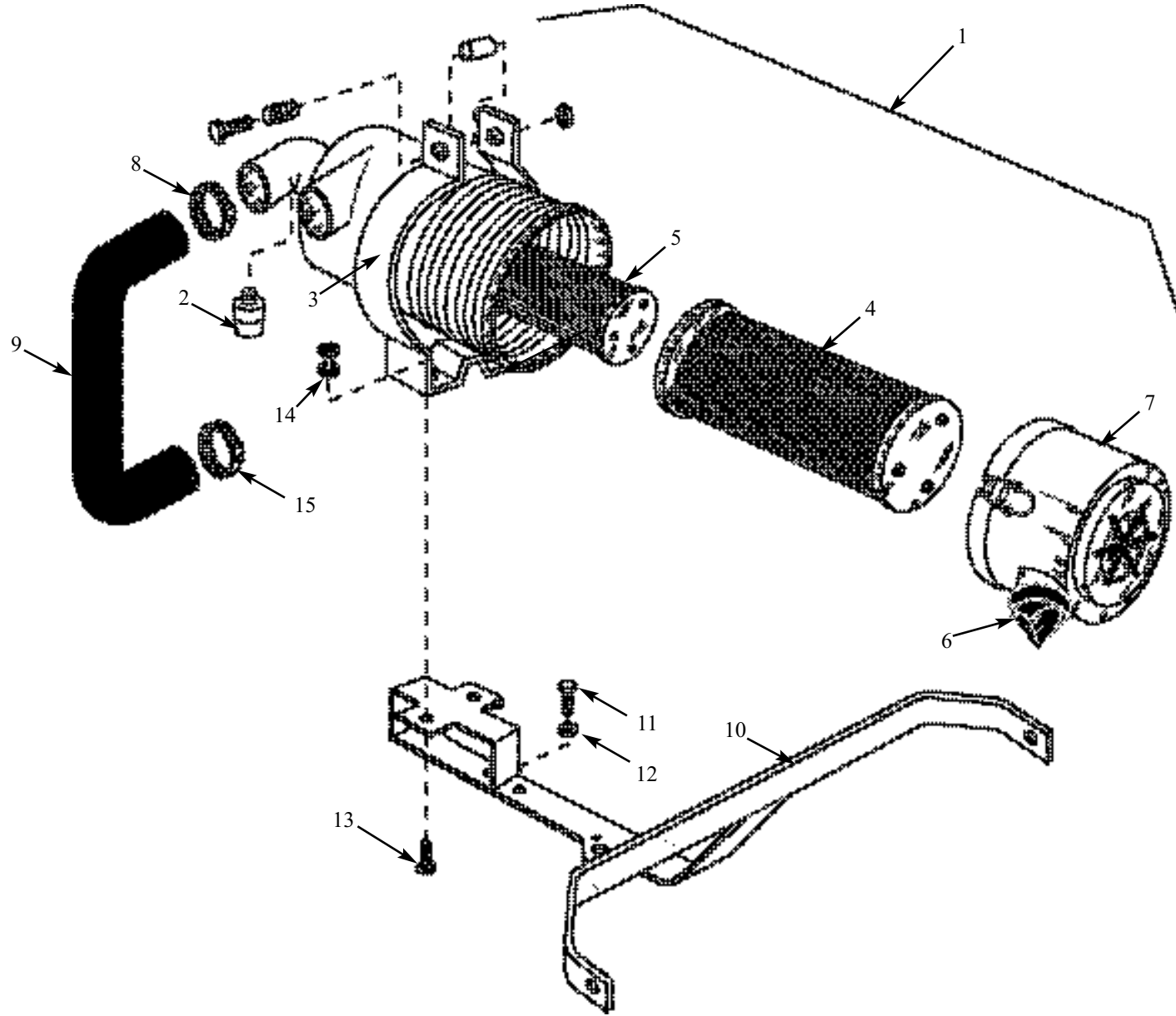


C3210

ITEM	PART	QTY	DESCRIPTION
1.	046914SP	1	Air Cleaner Assy.
2.	047741SP	1	Element, Filter Safety
3.	047742SP	1	Element, Filter Primary
4.	046896SP	1	Hose, Molded Air Intake
5.	006268SP	1	Clamp, Hose #32
6.	963758SP	1	Mount
7.	021554SP	4	Bolt
8.	044319SP	4	Washer
9.	038855SP	1	Indicator, Service Electrical
10.	012117SP	1	Clamp, Hose #40

AIR CLEANER (ProTough 1700)

7.1 (B)



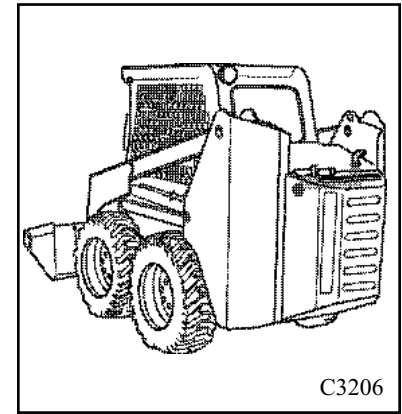
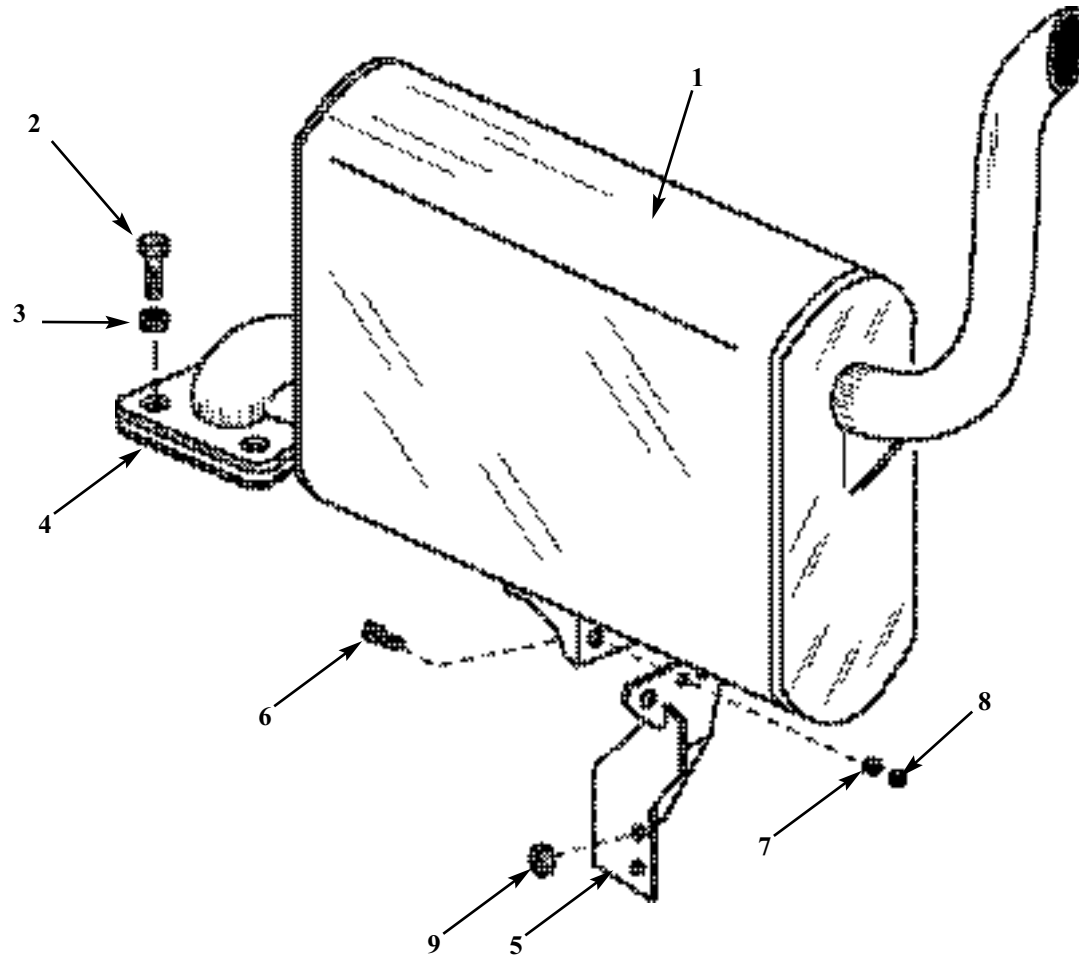
C989

C3304

ITEM	PART	QTY	DESCRIPTION
1.	042541SP	1	Cleaner, Air Assembly
2.	038855SP	1	Indicator, Service Electrical
3.	042419SP	1	Band, Mounting
4.	042417SP	1	Element, Air Filter (Primary)
5.	042418SP	1	Element, Air Filter (Safety)
6.	042421SP	1	Valve, Vacuator
7.	042420SP	1	Cover, Assembly
8.	006268SP	1	Clamp, Hose #32
9.	043556SP	1	Hose, Molded Air Inlet
10.	962502SP	1	Brace, Top Radiator Assy.
11.	022968SP	2	Bolt
12.	021028SP	2	Washer, Lock
13.	006081SP	2	Bolt
14.	001651SP	2	Washer, Flat
15.	012117SP	1	Clamp, Hose #40

EXHAUST SYSTEM (175)

7.2 (A)

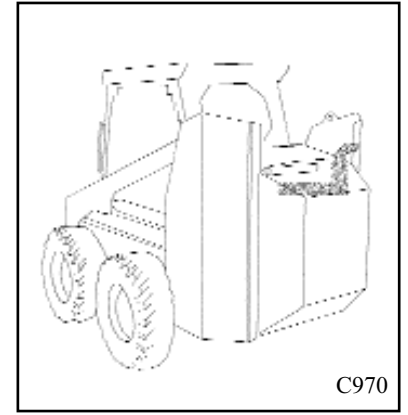
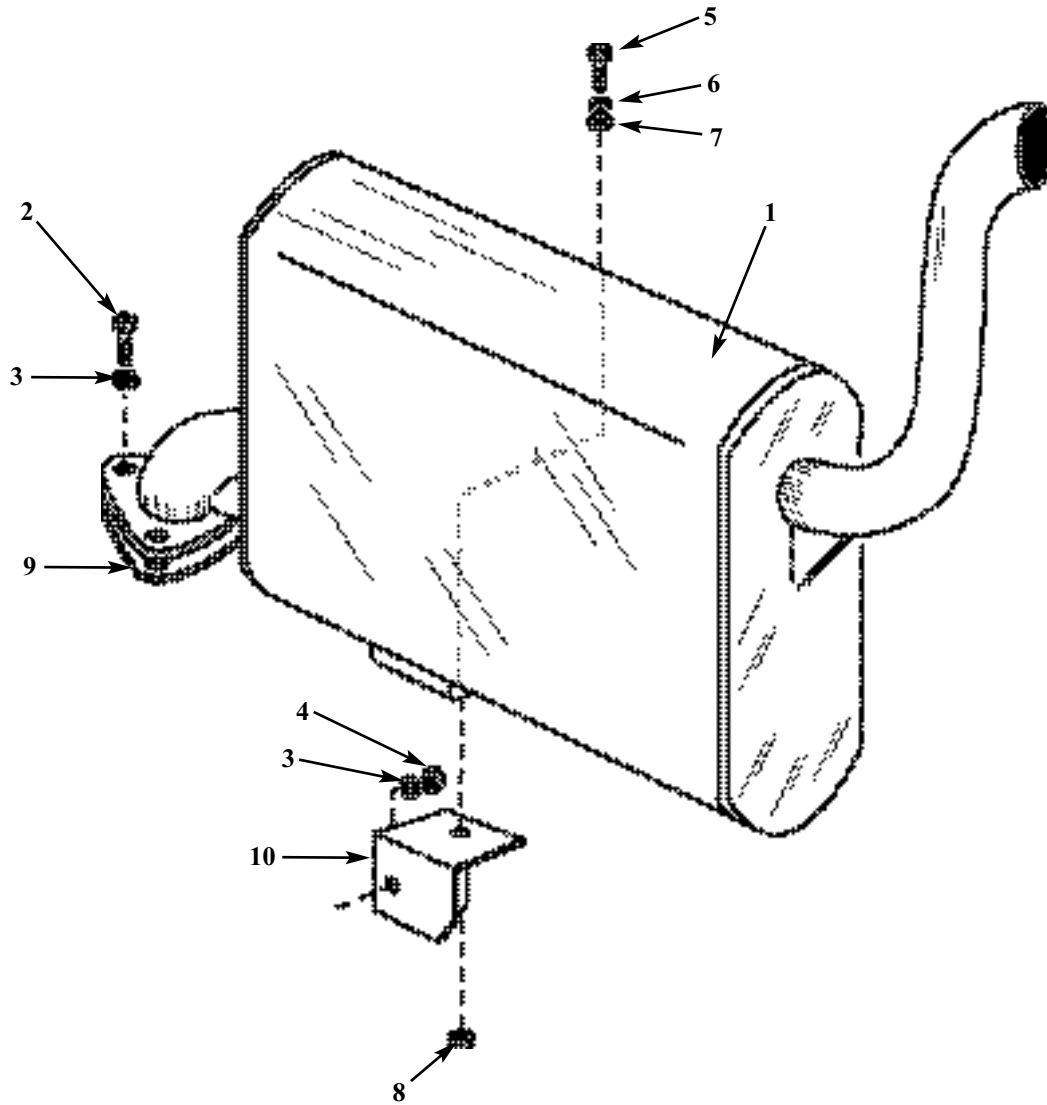


C3206

ITEM	PART	QTY	DESCRIPTION
1.	046871SP	1	Muffler, V-2003T
2.	021554SP	4	Bolt
3.	021029SP	4	Washer
4.	042691SP	1	Gasket
5.	963788SP	1	Muffler Support Assy.
6.	001387SP	2	Bolt
7.	001642SP	2	Washer, Lock
8.	001194SP	2	Nut
9.	023250SP	2	Nut

EXHAUST SYSTEM (ProTough 1700)

7.2 (B)



ITEM	PART	QTY	DESCRIPTION
1.	046870SP	1	Muffler, V-2003
2.	021554SP	3	Bolt, Hex
3.	044319SP	4	Washer, Lock
4.	023250SP	1	Nut, Hex
5.	001193SP	1	Bolt, Hex
6.	001642SP	1	Washer, Lock
7.	001643SP	1	Washer, Flat
8.	001194SP	1	Nut, Hex
9.	039736SP	1	Gasket, Muffler
10.	963787SP	1	Bracket, Muffler Assy

8. OPTIONAL EQUIPMENT

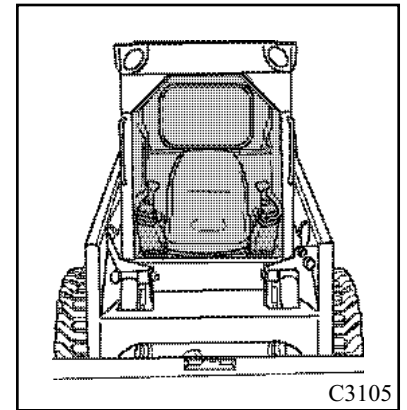
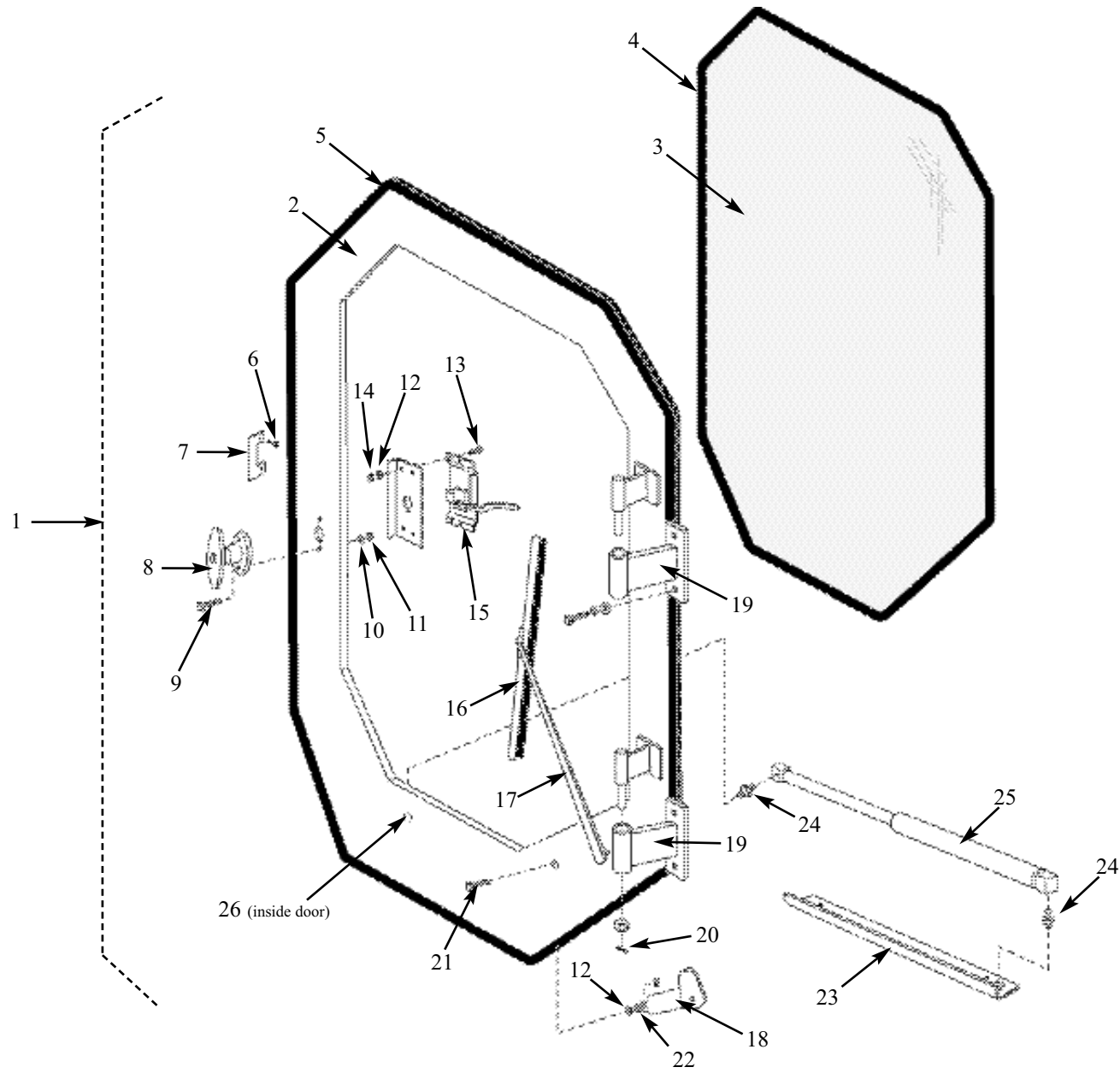
The following kits are OPTIONAL and can be added as extra equipment.
Some of the options listed below are standard on some machines.

Cab Enclosure (175 Only - <i>Not available on CE loaders</i>)	8.1
Cab Heater	8.2
Cab Door.....	8.3
Side Windows - Painted.....	8.4
Block Heater	8.5
Horn (175).....	8.6 (A)
Horn (ProTough 1700)	8.6 (B)
Backup Alarm	8.7
Seat Belt.....	8.8
Auto Engine Shutdown.....	8.9
Axle Seal Protector.....	8.10
Wheel Equipment (175).....	8.11 (A)
Wheel Equipment (ProTough 1700).....	8.11 (B)
Hydraulic Oil Heater.....	8.12
Interior Light & Exterior Trouble.....	8.13
Precleaner (175 Only).....	8.14
Stop Switch (175 Only)	8.15
Purifier (175 Only)	8.16
Lifting Lug (ROPS).....	8.17
Self Level Valve.....	8.18
Light Kit (175 Only).....	8.19
Driving Lamp Kit (175 Only).....	8.20

CAB ENCLOSURE (175 Only)**8.1**

Part #	Qty.	Description
963804	1	Kit, Cab Enclosure:
963393	1	Kit, Cab Heater
963802	1	Kit, Cab Door
963881	1	Kit, Side Windows Painted

Part #	Qty.	Description	Part #	Qty.	Description
963393	1	Kit, Cab Heater:	040652SP	3	Tube, Spacer Heater
037167SP	1	Heater, Cab	002279SP	3	Washer, Lock
044118SP	2	Elbow, 30 Degree	005170SP	1	Bolt, Hex
031166SP	1	Valve, Heater	001650SP	5	Washer, Flat
031167SP	1	Cable, Heater Valve Control	006645SP	1	Nut, Nylok
037601SP	1	Switch, Heater with Resistors	038541SP	1	Grommet
037606SP	1	Knob, Control	043033SP	2	Clamp, Twin 1" Tube
016019SP	6	Clamp, Hose #10	042076SP	1	Plate, Cover Twin
032672SP	1	Spacer, Water Flange, Kubota			
019586SP	2	Gasket, Thermostat Cover			
032682SP	2	Bolt, Hex 8 x 60mm			
031156SP	2	Coupling			
032671SP	1	Elbow, 90 Degree			
040722SP	1	Tube, Spacer Heater			
000073SP	9.5 ft.	Hose, 5/8 2 or 3 Standard Wall			
017493SP	1	Clamp, Standard Tube			
029972SP	1	Decal, Heater Control			
043066SP	3	Terminal			
038303SP	2	Clamp, Tube Twin			
038472SP	1	Plate, Cover Twin			
037633SP	2	O-Ring			
039122SP	1	Fuse, Automotive, 10 Amp (5 per pack)			
000765SP	7.5 ft.	Loom, Corrugated			
003625SP	6.5 ft.	Wire, #14 Gauge Yellow			
001651SP	2	Washer, Flat			
007458SP	2	Bolt, Hex			
016771SP	2	Nut, Nylok, Hex 5/16			
026715SP	3	Bolt, Hex 6 x 65mm			



ITEM	PART	QTY	DESCRIPTION
1.	963802SP	1	Kit, Cab Door
2.	963786SP	1	Door Cab Welded Assy.
3.	037243SP	1	Glass, Solid Tempered, Cab Door
4.	015750SP	9 ft.	Weatherstrip, Glass Setting
5.	000821SP	11.75 ft.	Molding, Trim Seal 1/4"
6.	031744SP	4	Screw, Hex Head
7.	032600SP	1	Plate, Latch Block
8.	953780SP	1	Handle, Cab Locking
9.	015885SP	2	Bolt, Stove
10.	002811SP	2	Washer, Lock
11.	006467SP	2	Nut, Hex
12.	001650SP	5	Washer, Flat
13.	005170SP	4	Bolt, Hex
14.	006645SP	4	Nut, Nylok
15.	039891SP	1	Latch, Cab Door RH
16.	037597SP	1	Blade, Wiper 16"
17.	037596SP	1	Arm, Wiper
18.	037275SP	1	Motor, Wiper Single Speed
19.	958336SP	2	Cab Bushing Assy.
20.	001630SP	1	Pin, Cotter
21.	002663SP	1	Bolt, Hex
22.	002279SP	1	Washer, Lock
23.	963775SP	1	Assembly, Cab Door Stop
24.	043005SP	2	Stud, Ball
25.	047050SP	1	Spring, Gas
26.	041792SP	1	Insert, Blind Thread

SIDE WINDOWS - PAINTED**8.4**

Part #	Qty.	Description
963881SP	1	Kit, Side Windows Painted:
044345SP	26	Screw, Machine 1/4 x 3/4 Pan Head
044237SP	26	Nut, 1/4 Flange
014869SP	1	Screw, Self-Drilling
015931SP	23 ft.	Weatherstrip (50' Roll)
039868SP	8	Washer, Nylon
039869SP	2	Knob, Fluted Black w/1/4" 20 Insert
047275SP	1	Window, Glass Siding LH Side Painted
047276SP	1	Window, Glass Siding RH Side Painted
039907SP	2	Insulator, Nylon 1/4"
040908SP	2	Bolt, Hex
040909SP	2	Nut, Hex

Part #	Qty.	Description
963403SP	1	Kit, Block Heater:
036789SP	1	Heater, Engine Block, Kubota

Part #	Qty.	Description
963874SP	1	Kit, Horn:
040918SP	1	Alarm, Fast Sounding
044182SP	1	Handle, Ergonomic w/Rocker & 2 PB Switches
044513SP	1	Bolt, Erg. Handle
006081SP	2	Bolt, Hex
001651SP	2	Washer, Flat 5/16
001870SP	2	Washer, Lock 5/16
001191SP	2	Nut, Hex 5/16
039880SP	0.5 ft.	Wire, #18 Gauge Lt. Green
039206SP	4 ft.	Wire, #18 Gauge White/Brown
039899SP	2	Terminal, Ring #10 Stud 22-18 Gauge Wire
039901SP	1	Terminal, Ring 5/16" Stud 22-18
039127SP	1	Terminal, Pin .156 Male
039110SP	1	Tower, 2-Way Weatherpack
039109SP	2	Sleeve, Cable
039009SP	2	Seal, Cable
008615SP	1 ft.	Tube, Heat Shrink
003273SP	8	Tie, Cable
000765SP	0.5 ft.	Loom, Corrugated
039122SP	1	Fuse, Automotive 10 Amp (5 per pack)

Part #	Qty.	Description
963916SP	1	Kit, Horn:
040918SP	1	Alarm, Fast Sounding
047382SP	1	Handle, Control w/Switch
044513SP	1	Bolt, Erg. Handle
006081SP	2	Bolt, Hex
001651SP	2	Washer, Flat 5/16
001870SP	2	Washer, Lock 5/16
001191SP	2	Nut, Hex 5/16
039880SP	0.5 ft.	Wire, #18 Gauge Lt. Green
039206SP	1.5 ft.	Wire, #18 Gauge White/Brown
039899SP	2	Terminal, Ring #10 Stud 22-18 Gauge Wire
039901SP	1	Terminal, Ring 5/16" Stud 22-18
039127SP	1	Terminal, Pin .156 Male
039110SP	1	Tower, 2-Way Weatherpack
039109SP	2	Sleeve, Cable
039009SP	2	Seal, Cable
003273SP	8	Tie, Cable
000765SP	0.5 ft.	Loom, Corrugated
039122SP	1	Fuse, Automotive 10 Amp (5 per pack)

Part #	Qty.	Description
963405SP	1	Kit, Backup Alarm:
038752SP	2	Switch, Backup Alarm
042187SP	1	Alarm, Backup
043327SP	1	Harness, Backup Alarm
001191SP	6	Nut, Hex 5/16
001651SP	6	Washer, Flat 5/16
001190SP	2	Bolt, Hex 5/16
001870SP	6	Washer, Lock 5/16
039122SP	1	Fuse, Automotive 10 Amp (5 per pack)
043330SP	2	Sheet, Backup Alarm Spacer
004398SP	2	Bolt, Hex 7/16
006393SP	4	Nut, Hex 7/16
047414SP	2	Bolt, Switch Activator
044323SP	2	Nut, Jam 1/4
043328SP	2	Sheet, Backup Alarm Mount
043337SP	2	Sheet, Backup Alarm Mount
001622SP	4	Bolt, Stove 3/16
006468SP	4	Washer, Flat 3/16
002811SP	4	Washer, Lock 3/16
006467SP	4	Nut, Hex 3/16
027013SP	4	Washer, Lock 1/8

Part #	Qty.	Description
963406SP	1	Kit, Seat Belt 3”:
038569SP	1	Belt, Safety 3” w/Safety Wiring
039005SP	1	Shroud, 3-Way Weatherpack
039007SP	3	Pin
039010SP	3	Seal, Cable
039108SP	1	Clip

AUTO ENGINE SHUTDOWN

8.9

Part #	Qty.	Description
963410SP	1	Kit, Auto Engine Shutdown:
039840SP	1	Relay, 12V40A SPDT Form C C/W Bracket
043714SP	1	Switch, Pressure Electrical Cert. of Compliance
029241SP	1	Siren, Mini
039899SP	1	Terminal, Ring #10 Stud 22-18 Gauge Wire
044272SP	1	Harness, Wire Auto Shutdown Engine
044273SP	1	Harness, Wire Auto Shutdown ROPS
044248SP	1	Fitting

Part #	Qty.	Description
963412SP	1	Kit, Axle Seal Protector:
044335SP	4	Bar, Axle Seal Protector
044355SP	8	Screw, Cap 1/4
002279SP	8	Washer, Lock 1/4

WHEEL EQUIPMENT (175)

8.11 (A)

Part #	Qty.	Description
963708SP	1	Kit, Tire 12.5 x 16.5 2000 Series:
046860SP	2	Wheel & Tire Assy (RH) 12 x 16.5, 8 Bolt 2000 Series
046861SP	2	Wheel & Tire Assy (LH) 12 x 16.5, 8 Bolt 2000 Series
005832SP	32	Nut, Wheel 9/16
963709SP	1	Kit, Tire 12.5 x 16.5 HD2000 (Factory):
044020SP	2	Tire & Wheel Assy 12 x 16.5 (LH), HD2000 8 Bolt
044021SP	2	Tire & Wheel Assy 12 x 16.5 (RH), HD2000 8 Bolt
963710SP	1	Kit, Tire 12.5 x 16.5 HD2000 (Field):
044020SP	2	Tire & Wheel Assy 12 x 16.5 (LH), HD2000 8 Bolt
044021SP	2	Tire & Wheel Assy 12 x 16.5 (RH), HD2000 8 Bolt

Part #	Qty.	Description
963913SP	1	Kit, Tire 10 x 16.5 2000 Series:
047372SP	2	Wheel & Tire Assy (RH) 10.0 x 16.5
047373SP	2	Wheel & Tire Assy (LH) 10.0 x 16.5
005832SP	32	Nut, Wheel 9/16
963710SP	1	Kit, Tire 12.5 x 16.5 HD2000 (Field):
044020SP	2	Tire & Wheel Assy 12 x 16.5 (LH), HD2000 8 Bolt
044021SP	2	Tire & Wheel Assy 12 x 16.5 (RH), HD2000 8 Bolt

HYDRAULIC OIL HEATER

8.12

Part #	Qty.	Description
963439SP	1	Kit, Hydraulic Oil Heater:
030549SP	1	Heater, Hyd. Oil

Part #	Qty.	Description
963466SP	1	Kit, Int. Light & Ext. Trouble:
041317SP	1	Light, Dome/Emergency
039880SP	11 ft.	Wire, #18 Gauge Light Green
041023SP	11 ft.	Wire, #18 Gauge Red
017940SP	2	Grommet
000765SP	11 ft.	Loom, Corrugated
039122SP	1	Fuse, Automtotive 10 Amp (5 per pack)
041705SP	1	Connector, Male 2-Way Metri-Pak
041706SP	2	Terminal, Female Metri-Pak for 41705
039901SP	1	Terminal, Ring 5/16"
041018SP	1	Terminal, Slide
037472SP	3	Screw, Self-Tapping

PRECLEANER (175 Only)**8.14**

Part #	Qty.	Description
963711SP	1	Kit, Precleaner:
046921SP	1	Precleaner, 2.5" Inlet

Part #	Qty.	Description
963879SP	1	Kit, Stop Switch:
042951SP	1	Switch, Contact Body Assy.
044305SP	1	Button, Turn to Release Red
042975SP	1	Sheet, Stop Button Support

PURIFIER (175 Only)**8.16**

Part #	Qty.	Description
963713SP	1	Kit, Purifier:
047088SP	1	Muffler, V2003-T w/Purifier

Part #	Qty.	Description
963633SP	1	Kit, Lug Lifting ROPS:
046770SP	2	Plate, Lifting Lug
001660SP	4	Bolt, Hex 9/16
001077SP	4	Nut, Hex 9/16
002650SP	4	Washer, Flat 9/16
001648SP	4	Washer, Lock 9/16

SELF LEVEL VALVE

8.18

Part #	Qty.	Description
963833SP	1	Kit, Self Level Valve:
043487SP	1	Valve, Self Level Assy.
019226SP	1	Connector
019232SP	1	Elbow, 90 Degree Straight
036626SP	2	Tee
963861SP	1	Kit, Hose Assy. SLV
017441SP	2	Washer, Lock 5/16
025465SP	2	Bolt, Hex 5/16

Part #	Qty.	Description	Part #	Qty.	Description
963888SP	1	Kit, Lights:	039109SP	4	Sleeve, Cable 18-20 AWG Weatherpack
047332 SP	1	Light, Kit LH	039009SP	4	Seal, Cable 14-18 AWG Weatherpack
047333 SP	1	Light, Kit RH	044182SP	2	Handle, Eronomic w/Rocker & 2 PB Switches
046668 SP	1	Beacon, Rotating	021259SP	2	Pin, Terminal (WAYTEK)
000765SP	1 ft.	Loom, Corrugated .250 ID Black	008615SP	0.167 ft.	Tube, Heat Shrink .187
046669SP	2	Terminal, Connector .250 Slide	007045SP	1	Wire, End Plug
046670SP	1	Light, License w/Harness	001622SP	2	Bolt, Stove 3/16
046689SP	2	Reflector, Red Reflex	006468SP	2	Washer, Flat 3/16 PL
046690SP	2	Reflector, Clear Reflex	002811SP	2	Washer, Lock 3/16 PL
039123SP	3	Switch, Toggle	006467SP	2	Nut, Hex 3/16 UNC PL
038752SP	1	Switch, Backup Alarm	047419SP	1	Mirror, External CE
043328SP	1	Sheet, Backup Alarm Mount	027013SP	2	Washer, Lock 1/8 PL
001191SP	2	Nut, Hex 5/16 UNC PL			
001870SP	2	Washer, Lock 5/16 PL			
001651SP	2	Washer, Flat 5/16 PL			
039122SP	1	Fuse, Automotive 10 Amp (5 per pack)			
043330SP	1	Sheet, Backup Alarm Spacer			
017204SP	1	Decal, Slow Moving Vehicle One Piece Type			
043330SP	2	Sheet, Backup Alarm Spacer			
015885SP	2	Bolt, Stove 3/16 x 3/4 UNC GR2 PL			
963662SP	1	Bar, Switch Activating Assy			
006393SP	2	Nut, Hex 7/16 UNC PL			
046835SP	1	Sheet, SMV			
021907SP	4	Screw, Self Tapping 5/16-1/8 x 5/8 Type 1, Hex			
046728SP	2	Sheet, Light Mount			
019029SP	4	Bolt, Hex M8 x 1.25 x 25mm PL			
021029SP	4	Washer, Lock 8mm PL			
001643SP	4	Washer, Flat 3/8 PL			
046899SP	2	Sheet, Cover w/Thomas			
031744SP	4	Screw, Hex Head, Tapping 1/4-20 x 5/8 L			
043759SP	1	Tower, 4-way Weatherpack 4X1			

DRIVING LAMP KIT (175 Only)**8.20**

Part #	Qty.	Description
963915SP	1	Kit, Driving Lamp:
047418SP	2	Lamp, Driving CE Approved

NUMERICAL INDEX

NUMERICAL INDEX

MAIN INDEX

NUMERICAL INDEX

PART NUMBER / SECTION	PART NUMBER / SECTION	PART NUMBER / SECTION	PART NUMBER / SECTION
000073SP8.2	001193SP7.2 (B)	001647SP1.5 (A)	001677SP2.1 (B)
000261SP1.1	001194SP1.1	001647SP5.3	001678SP1.2
000407SP1.1	001194SP7.2 (A)	001648SP8.17	001680SP1.3
000698SP4.1	001194SP7.2 (B)	001650SP1.5 (A)	001803SP4.8 (A)
000765SP8.2	001350SP1.6	001650SP1.7 (A)	001803SP4.8 (B)
000765SP8.6 (A)	001350SP4.4 (A)	001650SP1.7 (B)	001870SP1.6
000765SP8.6 (B)	001350SP4.4 (B)	001650SP4.4 (A)	001870SP1.7 (A)
000765SP8.13	001386SP3.2	001650SP4.4 (B)	001870SP1.7 (B)
000765SP8.19	001387SP1.1	001650SP8.2	001870SP1.9 (B)
000820SP1.7 (A)	001387SP1.7 (A)	001650SP8.3	001870SP2.1 (A)
000820SP1.7 (B)	001387SP1.7 (B)	001651SP1.2	001870SP2.1 (B)
000821SP1.7 (A)	001387SP7.2 (A)	001651SP1.6	001870SP2.2
000821SP1.7 (B)	001458SP1.3	001651SP1.7 (A)	001870SP2.4
000821SP8.3	001622SP8.7	001651SP1.7 (A)	001870SP4.4 (A)
000822SP4.4 (A)	001622SP8.19	001651SP1.7 (B)	001870SP4.8 (A)
001077SP8.17	001626SP2.2	001651SP1.7 (B)	001870SP8.6 (A)
001190SP1.7 (A)	001630SP2.1 (A)	001651SP1.9 (B)	001870SP8.6 (B)
001190SP1.7 (B)	001630SP2.1 (B)	001651SP4.2	001870SP8.7
001190SP1.7 (B)	001630SP2.2	001651SP4.4 (A)	001870SP8.19
001190SP1.9 (B)	001630SP8.3	001651SP4.8 (A)	002008SP2.1 (A)
001190SP2.1 (A)	001642SP1.1	001651SP6.2 (B)	002008SP2.1 (B)
001190SP2.1 (B)	001642SP1.7 (A)	001651SP7.1 (B)	002010SP1.3
001190SP4.4 (A)	001642SP1.7 (B)	001651SP8.2	002010SP1.4
001190SP4.4 (B)	001642SP4.2	001651SP8.6 (A)	002010SP1.6
001190SP6.2 (B)	001642SP7.2 (A)	001651SP8.6 (B)	002010SP2.2
001190SP8.7	001642SP7.2 (B)	001651SP8.7	002010SP4.5 (A)
001191SP4.4 (A)	001643SP1.1	001651SP8.19	002010SP4.5 (B)
001191SP4.8 (A)	001643SP1.2	001660SP8.17	002010SP4.7
001191SP8.6 (A)	001643SP1.7 (A)	001671SP1.4	002011SP1.3
001191SP8.6 (B)	001643SP1.7 (B)	001672SP2.1 (A)	002279SP1.7 (B)
001191SP8.7	001643SP1.9 (A)	001672SP2.1 (B)	002279SP4.4 (A)
001191SP8.19	001643SP1.9 (B)	001675SP4.6 (A)	002279SP4.4 (B)
001193SP1.7 (A)	001643SP2.1 (A)	001675SP4.6 (B)	002279SP8.2
001193SP1.7 (B)	001643SP2.1 (B)	001676SP4.3 (B)	002279SP8.3
001193SP1.9 (A)	001643SP4.2	001677SP2.1 (A)	002279SP8.10.
001193SP1.9 (B)	001643SP7.2 (B)	001677SP2.1 (A)	002580SP2.2
001193SP4.2	001643SP8.19	001677SP2.1 (B)	002593SP1.6

PART NUMBER / SECTION	PART NUMBER / SECTION	PART NUMBER / SECTION	PART NUMBER / SECTION
002593SP2.2	006297SP4.5 (B)	008613SP1.4	016771SP2.2
002650SP8.17	006393SP8.7	008613SP2.4	016771SP4.2
002663SP1.5 (A)	006393SP8.19	008615SP8.6 (A)	016771SP4.3 (A)
002663SP1.7 (A)	006394SP2.1 (A)	008615SP8.19	016771SP4.3 (B)
002663SP4.4 (A)	006394SP2.1 (B)	012117SP7.1 (A)	016771SP4.4 (A)
002663SP4.4 (B)	006467SP8.3	012117SP7.1 (B)	016771SP4.4 (B)
002663SP8.3	006467SP8.7	014797SP1.1	016771SP4.6 (A)
002811SP2.4	006467SP8.19	014866SP4.2	016771SP4.6 (B)
002811SP8.3	006468SP8.7	014866SP5.1 (A)	016771SP4.8 (A)
002811SP8.7	006468SP8.19	014866SP5.1 (A)	016771SP4.8 (B)
002811SP8.19	006608SP4.8 (A)	014866SP5.1 (B)	016771SP8.2
002823SP1.2	006608SP4.8 (B)	014866SP5.1 (B)	016989SP1.2
002835SP1.2	006645SP1.5 (A)	014867SP5.1 (A)	017144SP1.1
002898SP1.5 (A)	006645SP8.2	014867SP5.1 (A)	017204SP8.19
002898SP1.5 (B)	006645SP8.3	014867SP5.1 (B)	017441SP8.18
003189SP1.2	006816SP4.4 (A)	014867SP5.1 (B)	017493SP8.2
003273SP8.6 (A)	006816SP4.4 (B)	014869SP8.4	017633SP1.5 (A)
003273SP8.6 (B)	006869SP5.3	014877SP3.2	017633SP1.5 (B)
003321SP1.3	007045SP8.19	015750SP1.5 (A)	017940SP8.13
003625SP8.2	007124SP4.8 (A)	015750SP1.5 (B)	018318SP1.1
004398SP8.7	007124SP4.8 (B)	015750SP8.3	018455SP1.5 (A)
005170SP1.7 (B)	007458SP1.3	015885SP8.3	018724SP6.2 (A)
005170SP8.2	007458SP1.4	015885SP8.19	018724SP6.2 (B)
005170SP8.3	007458SP8.2	015931SP1.5 (A)	018748SP4.4 (A)
005405SP2.2	007465SP1.2	015931SP1.5 (B)	018748SP4.4 (B)
005405SP2.3	007465SP1.4	015931SP8.4	019029SP8.19
005832SP3.2	007465SP1.9 (A)	016019SP8.2	019226SP4.6 (A)
005832SP8.11 (A)	007465SP1.9 (B)	016608SP1.5 (A)	019226SP4.6 (B)
005832SP8.11 (B)	007465SP2.1 (A)	016608SP1.5 (B)	019226SP4.8 (A)
006081SP7.1 (B)	007465SP2.1 (B)	016771SP1.2	019226SP4.8 (B)
006081SP8.6 (A)	007465SP4.6 (A)	016771SP1.3	019226SP8.18
006081SP8.6 (B)	007465SP4.6 (B)	016771SP1.4	019232SP4.3 (A)
006086SP1.6	007667SP4.8 (A)	016771SP1.9 (B)	019232SP4.3 (B)
006086SP1.7 (A)	007667SP4.8 (B)	016771SP2.1 (A)	019232SP8.18
006086SP1.7 (B)	008104SP5.1 (A)	016771SP2.1 (A)	019235SP4.1
006268SP7.1 (A)	008104SP5.1 (B)	016771SP2.1 (B)	019572SP4.4 (A)
006268SP7.1 (B)	008613SP1.3	016771SP2.1 (B)	019572SP4.4 (B)

NUMERICAL INDEX

PART NUMBER / SECTION	PART NUMBER / SECTION	PART NUMBER / SECTION	PART NUMBER / SECTION
019573SP4.4 (A)	021558SP4.4 (B)	025091SP5.3	029896SP4.7
019573SP4.4 (B)	021559SP2.1 (A)	025460SPDecal Section	029971SP6.2 (A)
019583SP4.4 (A)	021559SP2.1 (B)	025465SP8.18	029972SP8.2
019583SP4.4 (B)	021559SP2.3	025589SP2.1 (A)	029978SP4.5 (A)
019586SP8.2	021701SP4.1	025589SP2.1 (B)	029978SP4.5 (B)
019949SP1.1	021907SP8.19	025618SP3.2	029978SP4.7
020232SP4.1	022204SP4.4 (B)	025762SP1.7 (A)	029979SP4.5 (A)
020235SP1.5 (A)	022280SP4.8 (A)	025762SP1.7 (B)	029979SP4.5 (B)
020235SP1.5 (B)	022280SP4.8 (A)	026008SP5.1 (A)	029979SP4.7
020860SP1.2	022280SP4.8 (B)	026008SP5.1 (B)	030044SP2.1 (A)
020860SP1.3	022280SP4.8 (B)	026042SP3.2	030044SP2.1 (B)
020860SP1.5 (A)	022448SP3.2	026129SP4.4 (A)	030044SP2.2
020860SP1.5 (B)	022653SP1.3	026134SP4.4 (A)	030485SP2.3
020861SP1.3	022968SP7.1 (B)	026172SP2.4	030549SP8.12
020861SP1.5 (A)	023194SP1.1	026174SP2.2	031156SP8.2
020861SP1.5 (B)	023194SP2.4	026188SP3.2	031166SP8.2
021028SP7.1 (B)	023250SP7.2 (A)	026315SP3.1	031167SP8.2
021029SP2.1 (A)	023250SP7.2 (B)	026315SP3.2	031488SP1.2
021029SP2.1 (B)	023301SPDecal Section	026509SP3.2	031489SP1.2
021029SP2.3	023307SPDecal Section	026510SP3.2	031670SP4.2
021029SP7.2 (A)	023308SPDecal Section	026715SP8.2	031744SP1.5 (A)
021029SP8.19	023309SPDecal Section	026737SP1.1	031744SP1.5 (B)
021128SP5.1 (A)	023310SPDecal Section	026833SP4.8 (A)	031744SP1.7 (A)
021128SP5.1 (B)	023312SPDecal Section	027013SP8.7	031744SP1.7 (B)
021174SP2.1 (A)	023321SPDecal Section	027013SP8.19	031744SP8.3
021174SP2.1 (B)	023325SPDecal Section	029029SP3.2	031744SP8.19
021259SP8.19	023326SPDecal Section	029241SP8.9	032070SP1.7 (A)
021554SP7.1 (A)	023334SPDecal Section	029361SP3.2	032070SP1.7 (B)
021554SP7.2 (A)	023385SP1.3	029384SP2.1 (A)	032275SPDecal Section
021554SP7.2 (B)	023452SP1.5 (A)	029384SP2.1 (B)	032478SP4.1
021557SP4.4 (A)	023452SP1.5 (B)	029437SP4.8 (A)	032600SP8.3
021557SP4.4 (A)	023772SP2.1 (A)	029437SP4.8 (B)	032671SP8.2
021557SP4.4 (B)	023772SP2.1 (B)	029860SP4.5 (A)	032672SP8.2
021557SP4.4 (B)	023861SP1.1	029860SP4.5 (B)	032682SP8.2
021558SP4.4 (A)	024624SP1.1	029875SP4.5 (A)	033023SP4.4 (A)
021558SP4.4 (A)	025011SP5.1 (A)	029875SP4.5 (B)	033023SP4.4 (B)
021558SP4.4 (B)	025011SP5.1 (B)	029875SP4.7	033112SP4.4 (A)

PART NUMBER / SECTION	PART NUMBER / SECTION	PART NUMBER / SECTION	PART NUMBER / SECTION
033112SP4.4 (B)	036336SP4.3 (B)	038043SPDecal Section	038794SP6.1 (B)
033149SP4.4 (A)	036336SP4.6 (A)	038044SPDecal Section	038797SP1.6
033149SP4.4 (B)	036336SP4.6 (B)	038303SP4.6 (A)	038855SP6.2 (A)
033831SP4.3 (A)	036337SP4.8 (A)	038303SP4.6 (B)	038855SP6.2 (B)
033831SP4.3 (B)	036337SP4.8 (B)	038303SP4.8 (A)	038855SP7.1 (A)
033831SP4.6 (A)	036598SPDecal Section	038303SP4.8 (B)	038855SP7.1 (B)
033831SP4.6 (B)	036626SP8.18	038303SP8.2	038870SP6.2 (A)
033831SP4.8 (A)	036713SP5.1 (A)	038389SP5.1 (A)	038870SP6.2 (B)
033831SP4.8 (B)	036713SP5.1 (B)	038389SP5.1 (B)	038871SP6.2 (A)
033882SP5.1 (A)	036733SP4.1	038472SP4.3 (A)	038871SP6.2 (B)
033882SP5.1 (B)	036789SP8.5	038472SP4.6 (A)	038872SP6.2 (A)
034903SP4.1	036841SPDecal Section	038472SP4.6 (B)	038872SP6.2 (B)
034919SP4.1	036849SP4.1	038472SP4.8 (A)	039005SP8.8
034919SP4.4 (A)	036853SP4.8 (A)	038472SP4.8 (B)	039007SP8.8
035243SP4.2	036855SP5.1 (A)	038472SP8.2	039009SP8.6 (A)
035426SP1.2	036855SP5.1 (B)	038516SP1.9 (A)	039009SP8.6 (B)
035451SP4.5 (A)	037010SPDecal Section	038516SP1.9 (B)	039009SP8.19
035451SP4.5 (B)	037059SPDecal Section	038516SP6.2 (A)	039010SP8.8
035536SP6.2 (A)	037060SPDecal Section	038516SP6.2 (B)	039108SP8.8
035536SP6.2 (B)	037104SP6.2 (A)	038541SP8.2	039109SP8.6 (A)
035568SP4.4 (A)	037104SP6.2 (B)	038560SP1.5 (A)	039109SP8.6 (B)
035568SP4.4 (B)	037167SP8.2	038560SP1.5 (B)	039109SP8.19
035765SP4.4 (B)	037206SP4.1	038561SP1.5 (A)	039110SP8.6 (A)
035772SP4.4 (A)	037206SP6.2 (A)	038561SP1.5 (B)	039110SP8.6 (B)
035772SP4.4 (B)	037206SP6.2 (A)	038569SP8.8	039121SP6.2 (A)
035773SP4.4 (B)	037206SP6.2 (B)	038577SP6.1 (A)	039121SP6.2 (B)
035774SP4.4 (A)	037206SP6.2 (B)	038577SP6.1 (B)	039122SP6.2 (A)
035774SP4.4 (B)	037243SP8.3	038589SP4.5 (A)	039122SP6.2 (B)
035883SP2.1 (A)	037275SP8.3	038589SP4.7	039122SP8.2
035884SP2.1 (A)	037472SP8.13	038600SP1.9 (A)	039122SP8.6 (A)
035884SP2.1 (B)	037596SP8.3	038600SP1.9 (B)	039122SP8.6 (B)
035884SP2.2	037597SP8.3	038652SP4.1	039122SP8.7
035885SPDecal Section	037601SP8.2	038752SP8.7	039122SP8.13
035886SPDecal Section	037606SP8.2	038752SP8.19	039122SP8.19
035935SPDecal Section	037633SP8.2	038761SP6.1 (A)	039123SP6.1 (A)
036021SP4.4 (B)	037792SP4.5 (A)	038761SP6.1 (B)	039123SP6.1 (B)
036336SP4.3 (A)	037808SP1.5 (A)	038794SP6.1 (A)	039123SP8.19

NUMERICAL INDEX

PART NUMBER / SECTION	PART NUMBER / SECTION	PART NUMBER / SECTION	PART NUMBER / SECTION
039124SP.....6.1 (A)	039910SP.....6.2 (A)	041317SP8.13	042088SP4.8 (A)
039126SP.....1.5 (A)	039910SP.....6.2 (B)	041318SP1.3	042088SP4.8 (B)
039126SP.....1.5 (B)	039921SP.....6.2 (A)	041391SP1.3	042089SP4.8 (A)
039127SP.....8.6 (A)	039972SP.....6.1 (A)	041392SP1.3	042089SP4.8 (B)
039127SP.....8.6 (B)	039972SP.....6.1 (B)	041410SP1.4	042090SP4.6 (A)
039191SP.....Decal Section	040320SP2.4	041420SP4.7	042090SP4.6 (B)
039192SP.....Decal Section	040337SP1.6	041544SP.....Decal Section	042091SP4.6 (A)
039192SP.....Decal Section	040581SP.....1.9 (A)	041545SP.....Decal Section	042091SP4.6 (B)
039196SP.....Decal Section	040581SP.....1.9 (B)	041546SP.....Decal Section	042106SPDecal Section
039206SP.....8.6 (A)	040614SP1.3	041547SP.....Decal Section	042107SPDecal Section
039206SP.....8.6 (B)	040652SP8.2	041548SP.....Decal Section	042187SP8.7
039537SP.....1.5 (A)	040722SP8.2	041576SP.....Decal Section	042207SP2.1 (A)
039537SP.....1.5 (B)	040737SP.....1.5 (A)	041619SP.....1.7 (A)	042207SP2.1 (B)
039540SP.....6.2 (A)	040873SP4.1	041619SP.....1.7 (B)	042208SP2.1 (A)
039540SP.....6.2 (B)	040908SP8.4	041619SP.....1.9 (A)	042208SP2.1 (B)
039546SP1.6	040909SP8.4	041619SP.....1.9 (B)	042227SP1.7 (A)
039728SP4.4 (B)	040918SP.....6.1 (A)	041704SP.....1.7 (A)	042227SP1.7 (B)
039730SP4.4 (B)	040918SP.....6.1 (B)	041705SP8.13	042322SP4.3 (A)
039736SP7.2 (B)	040918SP.....8.6 (A)	041706SP8.13	042322SP4.3 (B)
039840SP.....6.2 (A)	040918SP.....8.6 (B)	041738SP.....Decal Section	042350SP1.3
039840SP.....6.2 (B)	040921SP1.1	041778SP.....Decal Section	042417SP7.1 (B)
039840SP8.9	040922SP1.1	041791SP.....1.7 (A)	042418SP7.1 (B)
039868SP8.4	040970SP.....Decal Section	041791SP.....6.2 (A)	042419SP7.1 (B)
039869SP8.4	041018SP8.13	041792SP8.3	042420SP7.1 (B)
039880SP.....8.6 (A)	041023SP8.13	041956SP1.2	042421SP7.1 (B)
039880SP.....8.6 (B)	041024SP.....4.4 (A)	042047SP2.3	042433SP6.1 (A)
039880SP8.13	041024SP.....4.4 (B)	042061SP4.3 (B)	042433SP6.1 (B)
039891SP8.3	041045SP.....Decal Section	042061SP.....4.6 (A)	042435SP6.1 (A)
039899SP.....8.6 (A)	041064SP.....Decal Section	042061SP.....4.6 (B)	042435SP6.1 (B)
039899SP.....8.6 (B)	041065SP.....Decal Section	042065SP.....6.1 (A)	042442SP6.1 (A)
039899SP8.9	041066SP.....Decal Section	042065SP.....6.1 (B)	042442SP6.1 (B)
039901SP.....8.6 (A)	041123SP.....Decal Section	042070SP.....1.7 (A)	042491SP1.6
039901SP.....8.6 (B)	041178SP.....3.1	042070SP.....1.9 (A)	042529SPDecal Section
039901SP8.13	041274SP.....6.2 (A)	042076SP4.3 (B)	042541SP7.1 (B)
039904SP.....1.9 (A)	041274SP.....6.2 (B)	042076SP4.6 (A)	042556SP4.2
039904SP.....1.9 (B)	041290SP1.3	042076SP4.6 (B)	042557SP4.2
039907SP8.4	041291SP1.3	042076SP8.2	042560SP1.1

PART NUMBER / SECTION	PART NUMBER / SECTION	PART NUMBER / SECTION	PART NUMBER / SECTION
042561SP1.1	043165SP.....5.2 (A)	043721SP.....4.9 (A)	044184SP4.4 (A)
042561SP4.4 (A)	043166SP.....5.2 (A)	043721SP.....4.9 (B)	044237SP8.4
042561SP4.4 (B)	043167SP.....5.2 (A)	043722SP.....4.9 (A)	044248SP8.9
042572SP1.1	043169SP.....5.2 (A)	043722SP.....4.9 (B)	044272SP8.9
042574SP1.1	043170SP.....5.2 (B)	043723SP.....4.9 (A)	044273SP8.9
042604SP6.2 (A)	043189SP.....5.1 (A)	043724SP.....4.9 (A)	044276SP5.2 (A)
042604SP6.2 (B)	043189SP.....5.1 (B)	043724SP.....4.9 (B)	044278SP5.2 (A)
042625SP4.8 (A)	043202SP.....5.1 (B)	043744SP1.1	044279SP5.2 (A)
042625SP4.8 (B)	043269SP.....6.2 (A)	043744SP.....6.2 (A)	044280SP5.2 (B)
042635SP4.3 (A)	043269SP.....6.2 (B)	043744SP.....6.2 (B)	044299SP4.9 (A)
042691SP7.2 (A)	043327SP8.7	043759SP8.19	044299SP4.9 (B)
042737SP4.4 (A)	043328SP8.7	043785SP2.1 (B)	044305SP6.2 (A)
042931SP1.9 (A)	043328SP8.19	043791SPDecal Section	044305SP8.15
042931SP1.9 (B)	043330SP8.7	043812SP.....4.9 (A)	044319SP7.1 (A)
042940SP4.4 (B)	043330SP8.19	043812SP.....4.9 (B)	044319SP7.2 (B)
042950SP2.4	043330SP8.19	043828SP1.4	044323SP8.7
042950SP6.2 (A)	043337SP8.7	043831SP1.4	044335SP8.10.
042950SP6.2 (B)	043384SP.....2.1 (A)	043850SP.....1.8 (A)	044345SP8.4
042951SP6.2 (A)	043384SP.....2.1 (B)	043853SP.....1.8 (A)	044347SP2.1 (A)
042951SP8.15	043487SP8.18	043854SP.....1.8 (A)	044347SP2.1 (B)
042975SP8.15	043493SP.....5.2 (B)	043903SP.....4.3 (A)	044348SP2.1 (A)
043004SP2.4	043556SP.....7.1 (B)	043903SP.....4.3 (B)	044348SP2.1 (B)
043005SP2.4	043558SP.....1.9 (A)	043903SP.....4.6 (A)	044349SP2.1 (A)
043005SP8.3	043558SP3.1	043903SP.....4.6 (B)	044349SP2.1 (B)
043033SP4.3 (A)	043558SP3.2	044020SP.....8.11 (A)	044355SP8.10.
043033SP8.2	043558SP4.4 (A)	044020SP.....8.11 (B)	044357SP3.1
043065SP5.1 (A)	043558SP4.4 (B)	044021SP8.11 (A)	044358SP3.1
043065SP5.1 (B)	043634SP1.3	044021SP8.11 (B)	044450SP2.1 (A)
043066SP8.2	043634SP1.4	044061SP1.6	044450SP2.1 (B)
043081SP6.2 (A)	043635SP1.4	044118SP.....8.2	044473SP4.9 (A)
043081SP6.2 (B)	043636SP1.3	044136SP.....5.2 (A)	044473SP4.9 (B)
043128SP5.1 (B)	043636SP1.4	044181SP.....2.1 (A)	044513SP2.1 (A)
043130SP5.1 (B)	043637SP1.4	044181SP.....6.2 (A)	044513SP8.6 (A)
043145SPDecal Section	043702SP4.7	044182SP.....2.1 (A)	044513SP8.6 (B)
043146SP5.1 (A)	043703SP4.7	044182SP.....6.2 (A)	044615SPDecal Section
043146SP5.1 (B)	043704SP4.7	044182SP.....8.6 (A)	044713SP1.8 (A)
043164SP5.2 (A)	043714SP8.9	044182SP8.19	044744SP4.4 (A)

NUMERICAL INDEX

PART NUMBER / SECTION	PART NUMBER / SECTION	PART NUMBER / SECTION	PART NUMBER / SECTION
044744SP4.4 (B)	046668SP8.19	046913SP5.1 (B)	047394SP1.8 (B)
044745SP4.4 (A)	046669SP8.19	046913SP5.4	047395SP1.8 (B)
044745SP4.4 (B)	046670SP8.19	046913SP6.2 (A)	047400SP1.8 (B)
044746SP4.4 (A)	046686SP6.1 (A)	046913SP6.2 (B)	047401SP1.8 (B)
044746SP4.4 (B)	046686SP6.1 (B)	046914SP7.1 (A)	047402SP1.8 (B)
044762SP2.2	046689SP8.19	046918SP4.4 (A)	047403SP1.8 (B)
044789SP2.2	046690SP8.19	046918SP4.4 (B)	047404SP1.8 (B)
044797SP1.7 (A)	046728SP8.19	046921SP8.14	047406SP1.8 (B)
044797SP1.7 (B)	046748SP5.1 (A)	046933SP2.1 (B)	047409SP1.8 (B)
044935SP4.9 (A)	046748SP5.1 (B)	046971SP4.4 (A)	047410SP1.8 (B)
044935SP4.9 (B)	046748SP5.3	046987SP4.4 (A)	047411SP1.8 (B)
044936SP4.9 (A)	046756SP2.1 (A)	046987SP4.4 (B)	047412SP1.8 (B)
044937SP4.9 (A)	046756SP2.1 (B)	047050SP8.3	047414SP8.7
044961SP6.1 (A)	046770SP8.17	047065SP4.4 (B)	047418SP8.20.
044961SP6.1 (B)	046774SP4.1	047088SP8.16	047419SP8.19
044979SP2.2	046775SP4.1	047150SP1.7 (A)	047426SP2.1 (A)
046106SP2.2	046799SP5.3	047150SP1.7 (B)	047427SP5.1 (A)
046117SP4.9 (A)	046800SP3.2	047217SP2.3	047427SP5.1 (B)
046118SP4.8 (A)	046801SP3.2	047234SP4.9 (A)	047435SP4.9 (A)
046146SP4.2	046831SP6.1 (A)	047234SP6.2 (A)	047435SP4.9 (B)
046159SP2.2	046835SP8.19	047243SP2.3	047468SP6.1 (B)
046165SP4.8 (A)	046836SP6.1 (A)	047244SP2.3	047469SP6.1 (B)
046166SP4.8 (A)	046850SP5.1 (A)	047245SP2.3	047474SP4.5 (B)
046227SP1.2	046850SP5.1 (B)	047246SP2.3	047566SP4.5 (A)
046232SPDecal Section	046850SP5.2 (B)	047264SPDecal Section	047732SP6.2 (A)
046232SPDecal Section	046860SP8.11 (A)	047275SP8.4	047732SP6.2 (B)
046301SPDecal Section	046861SP8.11 (A)	047276SP8.4	047733SP4.4 (A)
046303SP1.5 (A)	046869SP5.1 (A)	047332SP8.19	047733SP4.4 (B)
046353SP2.1 (A)	046869SP5.1 (B)	047333SP8.19	047737SP4.4 (A)
046353SP2.1 (B)	046870SP7.2 (B)	047336SP6.2 (A)	047741SP7.1 (A)
046366SP2.1 (A)	046871SP7.2 (A)	047371SP2.2	047742SP7.1 (A)
046366SP2.1 (B)	046876SP2.2	047372SP8.11 (B)	047760SP2.2
046375SPDecal Section	046882SP4.9 (B)	047373SP8.11 (B)	047789SPDecal Section
046453SPDecal Section	046882SP6.2 (B)	047382SP8.6 (B)	047858SPDecal Section
046528SP1.8 (A)	046896SP7.1 (A)	047389SP1.8 (B)	047916SP5.2 (A)
046529SP1.8 (A)	046899SP8.19	047392SP1.8 (B)	047918SP5.2 (A)
046564SPDecal Section	046913SP5.1 (A)	047393SP1.8 (B)	047919SP5.2 (A)

PART NUMBER / SECTION	PART NUMBER / SECTION	PART NUMBER / SECTION	PART NUMBER / SECTION
047921SP5.2 (B)	048021SP1.8 (B)	962502SP7.1 (B)	963466SP8.13
047922SP5.2 (A)	048022SP1.8 (B)	962517SP4.3 (A)	963633SP8.17
047923SP5.2 (A)	048023SP1.8 (B)	962517SP4.3 (B)	963646SP1.4
047924SP5.2 (B)	062979SP4.5 (A)	962518SP4.3 (A)	963657SP1.5 (A)
047925SP5.2 (A)	953780SP8.3	962518SP4.3 (B)	963659SP2.4
047925SP5.2 (B)	957785SP3.2	962646SP4.3 (A)	963662SP8.19
047926SP5.2 (B)	958336SP8.3	962646SP4.3 (B)	963666SP1.5 (B)
047927SP5.2 (B)	958674SP3.2	962649SP4.6 (A)	963681SP6.1 (A)
047928SP5.2 (A)	959073SP2.1 (A)	962649SP4.6 (B)	963682SP6.1 (A)
047929SP5.2 (A)	959073SP2.1 (B)	962874SP2.1 (A)	963708SP8.11 (A)
047930SP5.2 (A)	959630SP4.3 (A)	962874SP2.1 (B)	963709SP8.11 (A)
047931SP5.2 (A)	959630SP4.3 (B)	963059SP2.2	963710SP8.11 (A)
047932SP5.2 (A)	959631SP4.3 (A)	963106SP1.7 (A)	963710SP8.11 (B)
047933SP5.2 (A)	959631SP4.3 (B)	963106SP1.7 (B)	963711SP8.14
047934SP5.2 (A)	960475SP3.2	963231SP4.6 (A)	963713SP8.16
047935SP5.2 (A)	961372SP1.9 (A)	963231SP4.6 (B)	963748SP1.7 (A)
047936SP5.2 (A)	961372SP1.9 (B)	963231SP4.8 (A)	963748SP1.7 (B)
047937SP5.2 (B)	961372SP6.2 (A)	963231SP4.8 (B)	963758SP7.1 (A)
047938SP5.2 (A)	961372SP6.2 (B)	963266SP1.7 (A)	963762SP1.2
047938SP5.2 (B)	961393SP4.6 (A)	963348SP2.1 (A)	963763SP4.4 (A)
047939SP5.2 (A)	961393SP4.6 (B)	963348SP2.1 (B)	963763SP4.4 (B)
047939SP5.2 (B)	961393SP4.8 (A)	963349SP2.1 (A)	963764SP4.4 (A)
047940SP5.2 (A)	961393SP4.8 (B)	963349SP2.1 (B)	963764SP4.4 (B)
047940SP5.2 (B)	961499SP4.6 (A)	963393SP8.1	963765SP4.4 (A)
047941SP5.2 (B)	961499SP4.6 (B)	963393SP8.2	963765SP4.4 (B)
047942SP5.2 (B)	961528SP1.7 (A)	963403SP8.5	963775SP8.3
047945SP5.2 (A)	961614SP1.2	963405SP8.7	963786SP8.3
047945SP5.2 (B)	961693SP6.2 (A)	963406SP1.9 (A)	963787SP7.2 (B)
047952SP1.2	961693SP6.2 (B)	963406SP1.9 (B)	963788SP7.2 (A)
047964SP1.8 (B)	961697SP1.3	963406SP6.2 (A)	963802SP8.1
047965SP1.8 (B)	961833SP1.3	963406SP6.2 (B)	963802SP8.3
047966SP1.8 (B)	961834SP1.3	963406SP8.8	963804SP8.1
047967SP1.8 (B)	961928SP2.1 (A)	963410SP8.9	963832SP2.2
047982SP4.4 (A)	961928SP2.1 (B)	963412SP8.10	963833SP8.18
047983SP4.4 (A)	962264SP1.3	963423SP1.5 (B)	963843SP4.8 (A)
047984SP4.4 (A)	962371SP4.4 (A)	963424SP1.5 (B)	963843SP4.8 (B)
047985SP4.4 (A)	962371SP4.4 (B)	963439SP8.12	963844SP4.8 (A)

NUMERICAL INDEX

PART NUMBER / SECTION	PART NUMBER / SECTION
963847SP4.1	963881SP8.4
963847SP5.1 (A)	963888SP8.19
963847SP5.1 (B)	963900SP2.2
963848SP4.2	963905SP2.2
963849SP4.2	963913SP8.11 (B)
963850SP5.1 (A)	963915SP8.20.
963850SP5.1 (B)	963916SP8.6 (B)
963851SP4.1	
963851SP4.2	
963852SP4.1	
963852SP5.1 (A)	
963852SP5.1 (B)	
963853SP4.1	
963853SP5.1 (A)	
963853SP5.1 (B)	
963854SP4.1	
963854SP5.1 (A)	
963854SP5.1 (B)	
963855SP5.1 (A)	
963855SP5.1 (B)	
963856SP5.1 (A)	
963856SP5.1 (B)	
963857SP5.1 (A)	
963857SP5.1 (B)	
963858SP5.1 (A)	
963858SP5.1 (B)	
963859SP5.1 (A)	
963860SP5.1 (A)	
963860SP5.1 (B)	
963861SP8.18	
963862SP2.3	
963863SP2.3	
963874SP8.6 (A)	
963879SP8.15	
963881SP8.1	